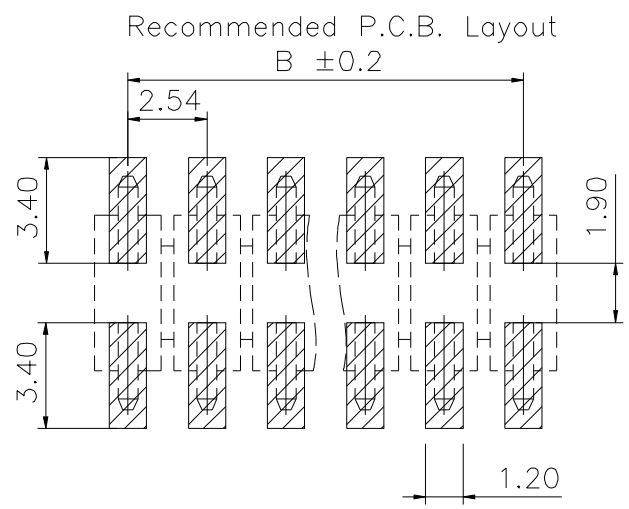
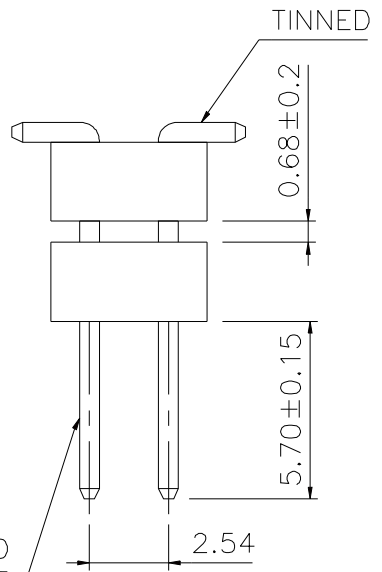
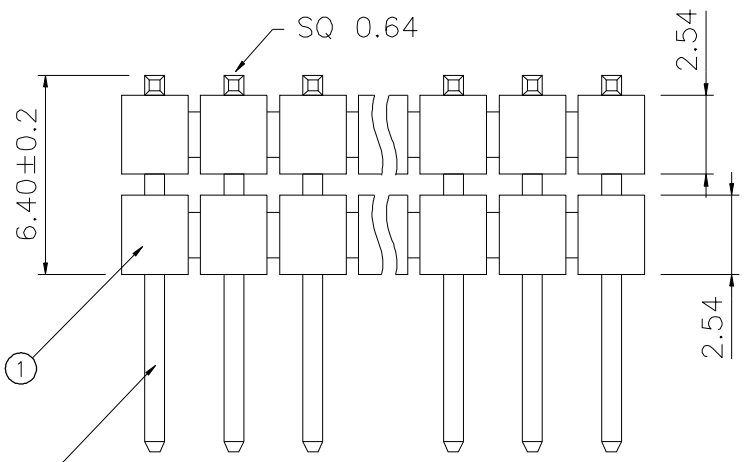


Dimension Information

SUYIN P/NO.	SUYIN P/NO.(OLD)	DIM.A	DIM.B
254303MG006S501ZX	6203AH-138-06G5T	7.62	5.08
254303MG040S501ZX	6203AH-138-40G5T	50.80	48.26

3/A Dimensional Information

SUYIN P/NO	Package
254303MGXXXS501ZO	
254303MGXXXS501ZT	Reel Package with CAP



30μ" GOLD TESTING POINT

2	TERMINAL	BRASS	—	Gold/Tin Plated
1	PLASTIC	High Temp.	BLACK	UL 94V-0
NO.	DESCRIPTION	MATERIAL	COLOR	REMARK

SUYIN CONNECTOR				
CUSTOMER COPY	TITLE: 2.54mm DUAL ROW S.M.T. TYPE			
PART NO.	254303MGXXXS501ZX			
PART NO. (OLD)	6203AH-138-XXG5T			
DRAWING NO.	D	254303MGXXXS501ZX		
SCALE	4:1	UNIT	mm	A4

ECN (DCN) NO.	REV	DATE	DESCRIPTION	CHANGE	APPRO.	GENERAL TOLERANCE UNLESS OTHERWISE NOTED
	A	99/04/27	NEW			Angle ±2' 30 ~ ±0.50 10 ~ 30 ±0.30 ~ 10 ±0.15

DRAW	??d>>0'99/03/05
DESIGN	??d>>0'99/03/05
CHECK	??M? 99/03/05
APPRO.	??v? 99/03/05