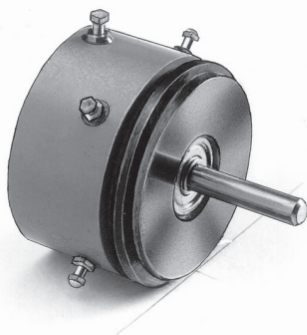


Precision Rotative Transducers 360° Special Laws: Sine/Cosine



Rotational motion transducers with trigonometric laws for a full angle measurement: 360° (no dead band).

FEATURES

- Laws: sine and cosine
- Size 11
- Continuous measure on 360°
- Long life up to 25 10⁶ cycles
- Conformity from ± 1 % down to ± 0.5 %
- Bushing or servo mounting
- Following MIL-R-39023 requirements



SIZE	11	
MODEL	116 SFZ	116 BFZ
LAW	Z: Sine and cosine	

ELECTRICAL SPECIFICATIONS	
Theoretical Electrical Angle (TEA) = 360°	Actual electrical angle (AEA) = TEA
Conformity Peak to Peak	A ≤ ± 1 % or B ≤ ± 0.5 %
Number of Cups	Up to 2
Ohmic Values (R _T per Quadrant)	1 kΩ - 5 kΩ - 10 kΩ - on request other values
Ohmic Value Tolerances at 20 °C	± 20 %
Output Smoothness	≤ 0.05 %
Maximum Power Rating at 70 °C	0.4 W
Wiper Current	Recommended: a few μA - 1 mA max. (continuous)
Ground Taps	On request
Resistance Load on Wiper	Minimum 10 ³ x R _T
Resolution	Essentially infinite
Insulation Resistance	≥ 1000 MΩ, 500 V _{DC}
Dielectric Strength	≥ 500 V _{RMS} , 50 Hz

MECHANICAL SPECIFICATIONS		
Mechanical Angle (MA)	360° continuous	
Mounting Type	Servo Bushing	
Shaft Guiding	Ball bearings Sleeve bearings	
Shaft	Stainless steel	
Housing	Plastic moulding	
Termination	Turrets	
Wiper	Precious metal multi-finger contact	
Starting Torque (N.cm)	1 cup ≤ 0.3	≤ 0.5
	2 cups ≤ 0.5	≤ 0.8
Weight (g)	30 ± 2 (1 cup) + 17 ± 2 (2 cups)	



PERFORMANCE		
Life (10 ⁶ Cycles)	≥ 25 (servo)	≥ 15 (bushing)
Temperature Range	- 55 °C to + 125 °C	
Climatic Category	55/125/04	
Speed Rotation (RPM)	600 (servo)	150 (bushing)
Sine Vibration on 3 Axes	1.5 mm or 20 g from 10 Hz to 2000 Hz	
Mechanical Shocks on 3 Axes	50 g - 11 ms - half sine	

TRIGONOMETRIC FUNCTIONS

SINE/COSINE OVER 360°

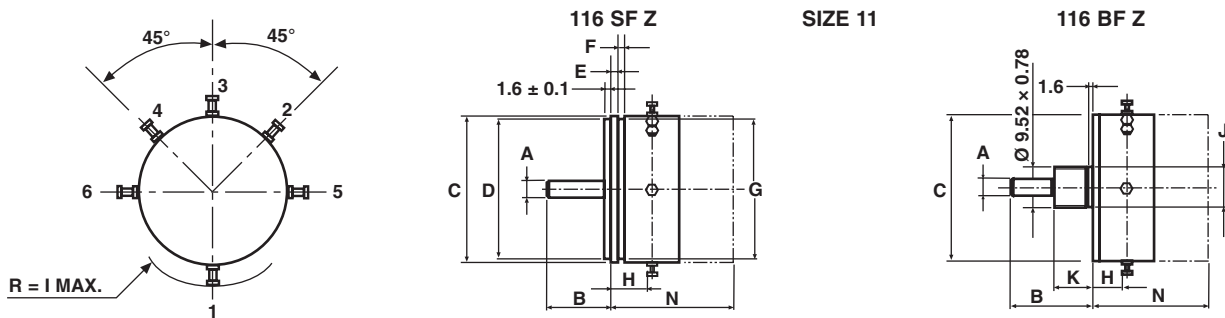
LAW Z

$$\frac{e_s}{E} = \sin \alpha \quad \frac{e_c}{E} = \cos \beta$$

$$0^\circ \leq \Theta \leq 360^\circ$$

$$\beta = \alpha + 90^\circ$$

DIMENSIONS in millimeters, general tolerance ± 0.5 mm



- 1: POWER SUPPLY (+)
- 2: POWER SUPPLY (-)
- 3: WIPER (SINE)
- 4: WIPER (COSINE)
- 5: GROUND TAP (ON REQUEST)
- 6: GROUND TAP (ON REQUEST)

DIMENSIONS mm	A	B	C	D	E	F	G	H	I	J	K	N max. (1 cup)	N max. (2 cups)
	+0 -0.013	max.	max.	+0 -0.013	± 0.1	min.	max.	min.	max.	+0 -0.02	max.		
DESIGNATION													
116 SF Z	3.175	16.6	27.05	24.608	1.6	1.5	24.8	4.5	17.3	-	-	18.5	35
116 BF Z		20	27.05	-	-	-	-	3	-	10.3	9.6	16.5	33

ORDERING INFORMATION/DESCRIPTION

ROT	116	S	F	Z	1	A	502	e1
SERIES	MODEL	MOUNTING TYPE	CONDUCTOR	LAW	NUMBER OF CUPS	CONFORMITY	OHMIC VALUE	LEAD FINISH
		S: Servo B: Bushing	F: Plastic	Z: Sine/cosine	2 max.	A: ± 1 % B: ± 0.5 %	First 2 digits are significant numbers 3rd digit indicates number of zeros	

Special characteristics and designs on request

SAP PART NUMBERING GUIDELINES

RO 116SFZ	1	B	103
MODEL	GANG NUMBER	CONFORMITY	OHMIC VALUE
	1 or 2	A or B	10 kΩ



Disclaimer

All product specifications and data are subject to change without notice.

Vishay Intertechnology, Inc., its affiliates, agents, and employees, and all persons acting on its or their behalf (collectively, "Vishay"), disclaim any and all liability for any errors, inaccuracies or incompleteness contained herein or in any other disclosure relating to any product.

Vishay disclaims any and all liability arising out of the use or application of any product described herein or of any information provided herein to the maximum extent permitted by law. The product specifications do not expand or otherwise modify Vishay's terms and conditions of purchase, including but not limited to the warranty expressed therein, which apply to these products.

No license, express or implied, by estoppel or otherwise, to any intellectual property rights is granted by this document or by any conduct of Vishay.

The products shown herein are not designed for use in medical, life-saving, or life-sustaining applications unless otherwise expressly indicated. Customers using or selling Vishay products not expressly indicated for use in such applications do so entirely at their own risk and agree to fully indemnify Vishay for any damages arising or resulting from such use or sale. Please contact authorized Vishay personnel to obtain written terms and conditions regarding products designed for such applications.

Product names and markings noted herein may be trademarks of their respective owners.