

PLEASE CHECK WWW.MOLEX.COM FOR LATEST PART INFORMATION

Part Number: **0907793013**
Status: **Active**
Description: 1.27mm (.050") Pitch Picoflex® PF-50 Header, Vertical, Low Profile, High Temperature Surface Mount Compatible, 0.76µm (30µ") Gold (Au) Selective Plating, 26 Circuits, Glow Wire Compatible

Documents:

[3D Model](#) [Product Specification PS-99020-0011 \(PDF\)](#)
[Drawing \(PDF\)](#) [RoHS Certificate of Compliance \(PDF\)](#)

General

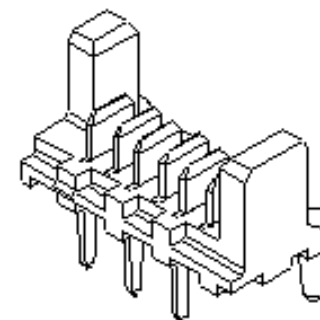
Product Family	PCB Headers
Series	90779
Application	Wire-to-Board
Application Tooling Part Link	690081070
Product Name	Picoflex®

Physical

Breakaway	No
Circuits (Loaded)	26
Color - Resin	Natural
Durability (mating cycles max)	100
First Mate / Last Break	No
Glow-Wire Compliant	Yes
Guide to Mating Part	No
Keying to Mating Part	None
Lock to Mating Part	Yes
Material - Metal	Brass
Material - Plating Mating	Gold
Material - Resin	High Temperature Thermoplastic
Number of Rows	1
Orientation	Vertical
PCB Locator	Yes
PCB Retention	Yes
PCB Thickness Recommended (in)	0.063 In
PCB Thickness Recommended (mm)	1.60 mm
Packaging Type	Bag
Pitch - Mating Interface (in)	0.050 In
Pitch - Mating Interface (mm)	1.27 mm
Pitch - Term. Interface (in)	0.050 In
Pitch - Term. Interface (mm)	1.27 mm
Plating min: Mating (µin)	30.4
Plating min: Mating (µm)	0.76
Plating min: Termination (µin)	120
Plating min: Termination (µm)	3
Polarized to Mating Part	Yes
Polarized to PCB	Yes
Shrouded	Open Ends
Stackable	No
Surface Mount Compatible (SMC)	Yes
Temperature Range - Operating	-40°C to +105°C
Termination Interface: Style	Through Hole

Electrical

Current - Maximum per Contact	1.2A
Voltage - Maximum	250V AC/DC



Series

image - Reference only

EU RoHS

ELV and RoHS Compliant

REACH SVHC

Contains SVHC: No

Halogen-Free

Status

Not Reviewed

China RoHS



Need more information on product environmental compliance?

Email productcompliance@molex.com
 For a multiple part number RoHS Certificate of Compliance, [click here](#)

Please visit the [Contact Us](#) section for any non-product compliance questions.

Search Parts in this Series

90779Series

Mates With

90327 IDT Connector

Application Tooling | FAQ

Tooling specifications and manuals are found by selecting the products below. Crimp Height Specifications are then contained in the Application Tooling Specification document.

Global

Description	Product #
Extraction Tool (Plastic) for 90327 Connector, 4-26 Circuit	0690081070

Material Info

Reference - Drawing Numbers

Product Specification

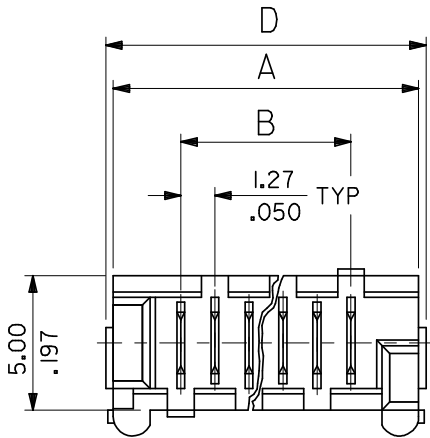
Sales Drawing

PS-99020-0011

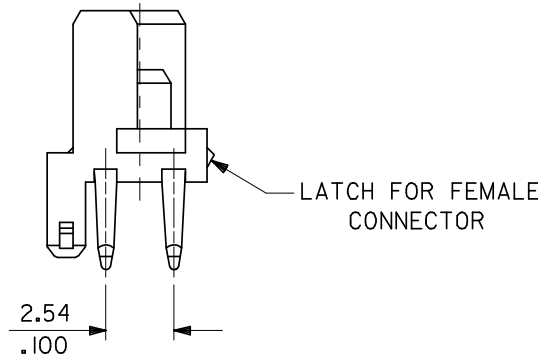
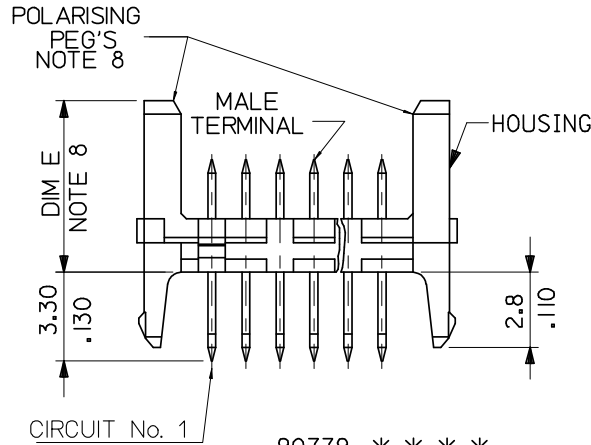
SDA-90779

This document was generated on 04/23/2010

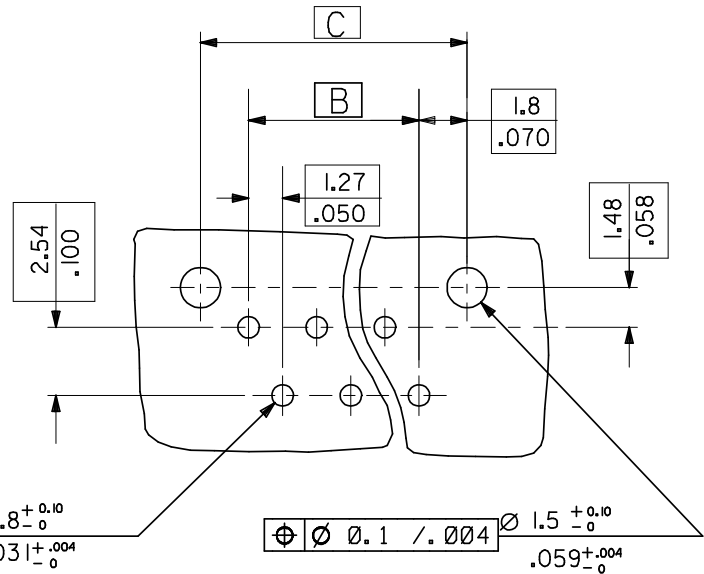
PLEASE CHECK WWW.MOLEX.COM FOR LATEST PART INFORMATION



MOULD BASE COLOUR: NATURAL



PCB LAYOUT VIEWED FROM SOLDER SIDE. BOARD 1.60±0.14 THK .063±.006 THK.



90779-***13	26	36.80 / 1.449	31.75 / 1.250	35.35 / 1.392	37.26 / 1.467	14
↑ -**12	24	34.26 / 1.349	29.21 / 1.150	32.81 / 1.292	34.72 / 1.367	15
-**11	22	31.72 / 1.249	26.67 / 1.050	30.27 / 1.192	32.18 / 1.267	16
-**10	20	29.18 / 1.149	24.13 / .950	27.73 / 1.092	29.64 / 1.167	18
-**08	18	26.64 / 1.049	21.59 / .850	25.19 / .992	27.10 / 1.067	19
-**07	16	24.10 / .949	19.05 / .750	22.65 / .892	24.56 / .967	22
-**06	14	21.56 / .849	16.51 / .650	20.11 / .792	22.02 / .867	24
-**05	12	19.02 / .749	13.97 / .550	17.57 / .692	19.48 / .767	27
-**04	10	16.48 / .649	11.43 / .450	15.03 / .592	16.94 / .667	32
-**03	8	13.94 / .549	8.89 / .350	12.49 / .492	14.40 / .567	36
↓ -**02	6	11.40 / .449	6.35 / .250	9.95 / .392	11.86 / .467	44
90779-***01	4	8.86 / .349	3.81 / .150	7.41 / .292	9.32 / .367	57
PART NO.	NO. OF CKTS	DIM. A	DIM. B	DIM. C	DIM. D	NO. ASSYS IN TUBE

90779-***
 0 = 4-6um TIN ASSY
 3 = 0.76um GOLD ASSY
 7 = 0.76um GOLD, TUBED
 9 = 4-6um TIN ASSY TUBED
 CIRCUIT SIZE 04CKT TO 26CKT -SEE TABLE ABOVE FOR PART CODE
 0 - STANDARD
 9 - SHORT VERSION

NOTES
 1. HOUSING. NYLON 46, GLASS FILLED UL 94 V-0, NATURAL (WHITE).
 2. TERMINAL. BRASS

PLATING. TIN: 0.00127mm/.011" MIN NICKEL UNDER 0.004-0.006mm/.160-.240" TIN

PLATING. GOLD: 0.00127mm/.050" MIN. NICKEL UNDER 0.003-0.005mm/.120-.200" TIN SELECTIVE AND 0.00076mm/.030" SELECTIVE GOLD

3. APPLICATION CLASS TO DIN 40040 HME (-25°C/+100°C)
 4. PIN PUSH FORCE 7N
 5. TEST VOLTAGE: 750V.A.C./1 MIN
 6. COMPATIBLE WITH MOLEX PART 90327
 7. PRODUCT SPECIFICATION: PS-99020-0011
 8. POLARISING PEG AVAILABLE IN 2 OPTIONS
 DIM E: STANDARD 6.40mm/.252"
 DIM E: SHORT VERSION 4.10mm/.161"

ADDED PART NUMBERS SHORT POL PEG VERSION EC NO: E2008-0379	2008/02/28 2008/02/28 2008/02/28	DRWN: DBYRNES CHKD: APPR: J WALLACE	DESCRIPTION	QUALITY SYMBOLS
REV				

GENERAL TOLERANCES (UNLESS SPECIFIED)		DIMENSION STYLE		SCALE	DESIGN UNITS	THIRD ANGLE PROJECTION
		MM/IN		5:1	METRIC	
4 PLACES ± ---	±.008	DRAWN BY	DATE	TITLE		
3 PLACES ± 0.20	±.008	BGB	1992/08/21	HEADER ASSEMBLY		
2 PLACES ± 0.20	± ---	CHECKED BY	DATE			
1 PLACE ± ---	± ---	DMOR I ARTY	2004/12/03			
ANGULAR ± ---°		APPROVED BY	DATE			
		JDENNEHY	2004/12/03			
DRAFT WHERE APPLICABLE MUST REMAIN WITHIN DIMENSIONS		MATERIAL NO.	DOCUMENT NO.	SHEET NO.		
		SEE CHART	SDA-90779	1 OF 1		

THIS DRAWING CONTAINS INFORMATION THAT IS PROPRIETARY TO MOLEX INCORPORATED AND SHOULD NOT BE USED WITHOUT WRITTEN PERMISSION	
---	--