

PLEASE CHECK WWW.MOLEX.COM FOR LATEST PART INFORMATION

Part Number: [0885279303](#)
Status: **Active**
Overview: [fiber optic product families](#)
Description: ST-to-ST, Multimode, 50/125µm, Simplex, 3.00mm (.118"), Standard Fiber Optic Cable Assembly, 9.0m (29.53')

Documents:

[Drawing \(PDF\)](#) [RoHS Certificate of Compliance \(PDF\)](#)

General

Product Family	Fiber Optic Assemblies
Series	88527
Connector to Connector	ST-to-ST
Mode	Multimode
Overview	fiber optic product families
Product Name	ST

Physical

Cable Length	9.0m (29.53')
Cable Size	3.00mm (.118")
Fiber (Core/Cladding)	50/125µm
Single Ended	No
Wire/Cable Type	Simplex

Material Info

Reference - Drawing Numbers

Sales Drawing	SD-88527-088
---------------	--------------

EU RoHS

**ELV and RoHS
Compliant**
**REACH SVHC
Not Reviewed**
**Halogen-Free
Status
Not Reviewed**

China RoHS

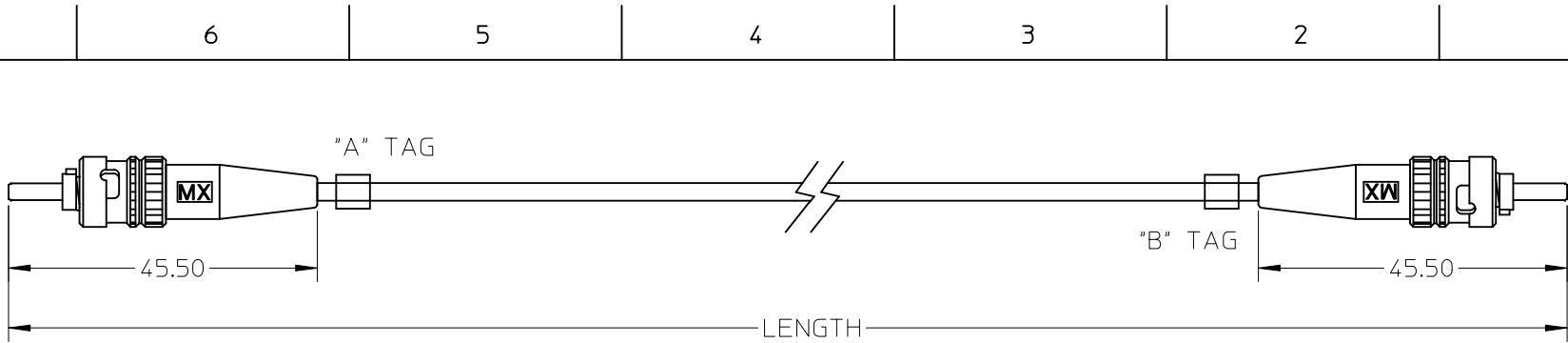


Need more information on product environmental compliance?

Email productcompliance@molex.com
 For a multiple part number RoHS Certificate of Compliance, [click here](#)

Please visit the [Contact Us](#) section for any non-product compliance questions.

Search Parts in this Series
[88527Series](#)



885279310	ST-ST SIM MM 50/125 3MM 5M	5000(+200/-0)
885279309	ST-ST SIM MM 50/125 3MM 1M	1000(+100/-0)
885279308	ST-ST SIM MM 50/125 3MM 18M	18000(+200/-0)
885279307	ST-ST SIM MM 50/125 3MM 15M	15000(+200/-0)
885279306	ST-ST SIM MM 50/125 3MM 13M	13000(+200/-0)
885279305	ST-ST SIM MM 50/125 3MM 12M	12000(+200/-0)
885279304	ST-ST SIM MM 50/125 3MM 10M	10000(+200/-0)
885279303	ST-ST SIM MM 50/125 3MM 9M	9000(+200/-0)
885279302	ST-ST SIM MM 50/125 3MM 8M	8000(+200/-0)
885279301	ST-ST SIM MM 50/125 3MM 3M	3000(+200/-0)
885279300	ST-ST SIM MM 50/125 3MM 2M	2000(+200/-0)
MX P/N	DESCRIPTION	LENGTH

NOTES:
 1. DUST CAPS ARE NOT SHOWN
 2. PER CHANNEL @ 850nm
 IL<=0.50dB

ENTER DESCRIPTION EC NO: DG2009-0079 DRWN:XPCHEN CHKD: APPR:JOWANG 2008/11/10 2008/11/10 2008/11/12	QUALITY SYMBOLS =0 =0	GENERAL TOLERANCES (UNLESS SPECIFIED)		DIMENSION STYLE MM ONLY		SCALE ---	DESIGN UNITS METRIC	THIRD ANGLE PROJECTION		
			mm	INCH	DRAWN BY XP	DATE 2008/11/04	TITLE ST-ST SIM MM 50 3MM			
		4 PLACES	±---	±---	CHECKED BY LISA	DATE 2008/11/04	MOLEX INCORPORATED DOCUMENT NO. SD-88527-088 SHEET NO. 1 OF 00			
		3 PLACES	±---	±---	APPROVED BY JOHNNY	DATE 2008/11/04				
		2 PLACES	±---	±---	MATERIAL NO. ENTER PART					
1 PLACE	±---	±---	DRAFT WHERE APPLICABLE MUST REMAIN WITHIN DIMENSIONS							
		ANGULAR ±----°		SIZE A 4		THIS DRAWING CONTAINS INFORMATION THAT IS PROPRIETARY TO MOLEX INCORPORATED AND SHOULD NOT BE USED WITHOUT WRITTEN PERMISSION				