

**PLEASE CHECK WWW.MOLEX.COM FOR LATEST PART INFORMATION**

**Part Number:** [0782793002](#)  
**Status:** **Active**  
**Description:** 0.60mm (.024") Pitch DDR3 SODIMM Socket, Right Angle, Reverse Mount, 5.20mm (.205") Mount Height, 204 Circuits, Lead Free

**Documents:**

[3D Model](#) [Product Specification PS-78279-001 \(PDF\)](#)  
[Drawing \(PDF\)](#) [RoHS Certificate of Compliance \(PDF\)](#)

**Agency Certification**

CSA LR19980  
 UL E29179

**General**

Product Family Memory Module Sockets  
 Series [78279](#)  
 Component Type Socket  
 JEDEC Outline N/A  
 Product Name DDR3 S.O. DIMM

**Physical**

Circuits (Loaded) 204  
 Circuits (maximum) 204  
 Color - Resin Black  
 Durability (mating cycles max) 25  
 Entry Angle 25° Angle  
 Flammability 94V-0  
 Keying to Mating Part Yes  
 Material - Plating Mating Gold  
 Material - Plating Termination Gold  
 Material - Resin High Temperature Thermoplastic  
 PCB Locator Yes  
 PCB Retention Yes  
 Packaging Type Tray  
 Pitch - Mating Interface (in) 0.024 In  
 Pitch - Mating Interface (mm) 0.60 mm  
 Pitch - Term. Interface (in) 0.024 In  
 Pitch - Term. Interface (mm) 0.60 mm  
 Plating min: Mating (µin) 30  
 Plating min: Mating (µm) 0.76  
 Plating min: Termination (µin) 2  
 Plating min: Termination (µm) 0.05  
 Temperature Range - Operating -55°C to +85°C  
 Termination Interface: Style Surface Mount

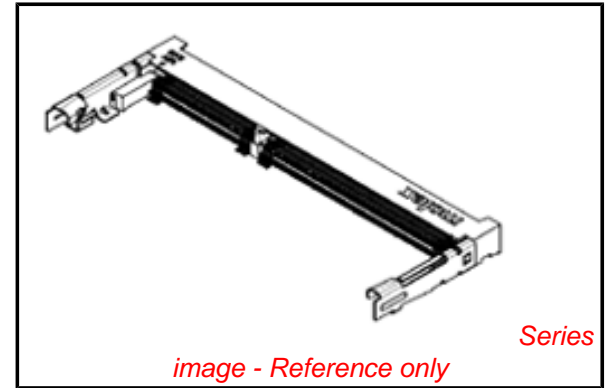
**Electrical**

Current - Maximum per Contact 0.6A  
 Voltage - Maximum 25V AC

**Solder Process Data**

Duration at Max. Process Temperature (seconds) 20  
 Lead-free Process Capability Reflow Capable (SMT only)  
 Max. Cycles at Max. Process Temperature 2  
 Process Temperature max. C 260

**Material Info**



**EU RoHS**

**ELV and RoHS  
 Compliant**  
**REACH SVHC  
 Contains SVHC: No**  
**Halogen-Free  
 Status**

**China RoHS**



**Need more information on product  
 environmental compliance?**

Email [productcompliance@molex.com](mailto:productcompliance@molex.com)  
 For a multiple part number RoHS Certificate of  
 Compliance, [click here](#)

Please visit the [Contact Us](#) section for any  
 non-product compliance questions.

**Search Parts in this Series**

[78279Series](#)

**Mates With**

JEDEC Standard Memory Modules

**Reference - Drawing Numbers**

Packaging Specification

Product Specification

Sales Drawing

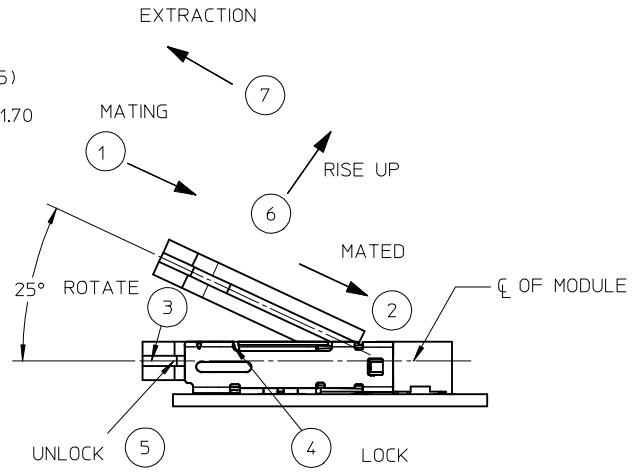
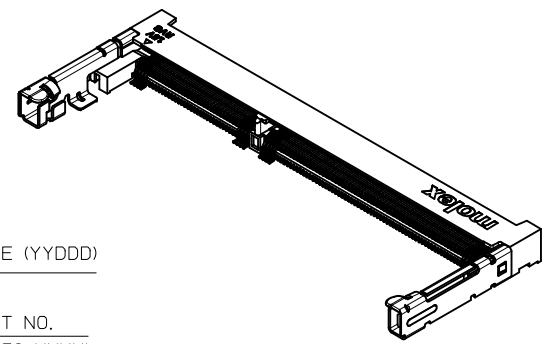
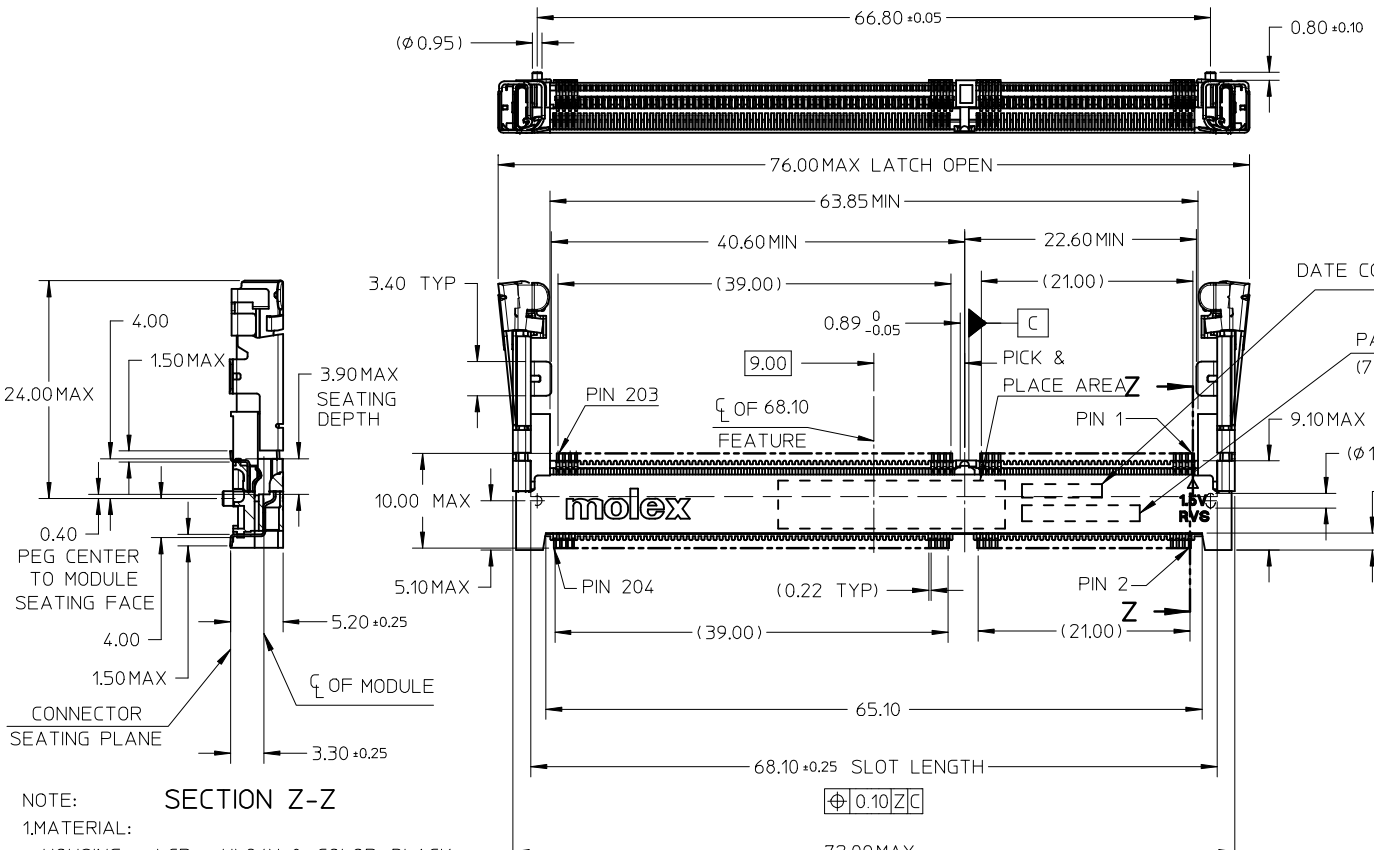
PK-78279-001

PS-78279-001

SD-78279-001

This document was generated on 05/10/2010

**PLEASE CHECK [WWW.MOLEX.COM](http://WWW.MOLEX.COM) FOR LATEST PART INFORMATION**



**NOTE: SECTION Z-Z**

1.MATERIAL:  
 HOUSING : LCP - UL94V-0, COLOR: BLACK  
 CONTACTS : COPPER ALLOY  
 LOCK LEVER : STAINLESS STEEL

2.FINISHES:  
 CONTACT AREA : REFER TABLE IN SHEET 6.  
 SOLDER TAIL AREA : REFER TABLE IN SHEET 6.  
 LOCK LEVER SOLDER PAD : 100 MICRINCH / 2.54 MICROMETER MATTE TIN OVER 50 MICRINCH / 1.27 MICROMETER NICKEL.

3.RECOMMENDED MODULE LAYOUT SHALL BE AS PER JEDEC MO-268

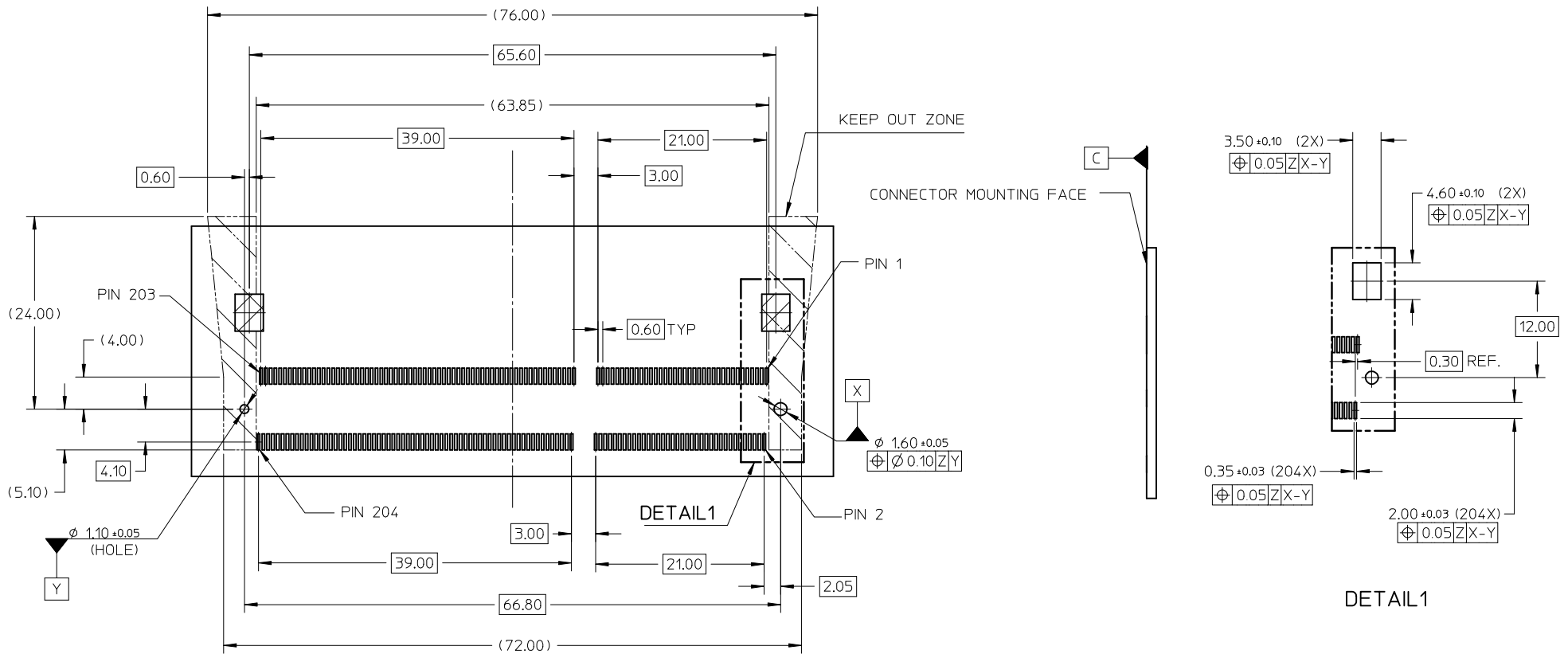
4.PRODUCT SPECIFICATION : REFER TABLE IN SHEET 6

5.PACKAGING SPECIFICATION: PART SHALL BE PACKED IN TRAY OR TAPE AND REEL.

- 6.EDGE OF CONTACT PADS SHALL BE FREE OF BURRS AND EXTERNAL TIE BARS.
- 7.THE ADDITION OF THIS BEVEL IS A FABRICATION OPTION AND IS NOT REQUIRED. THE BEVEL AIDS THE INSERTION OF THE MODULES INTO THE CONNECTOR. THE BEVEL MUST NOT ENCORACH ONTO GOLD OADS.
- 8.COPLANARITY INCLUDES HOLD DOWN 0.1 MAX.

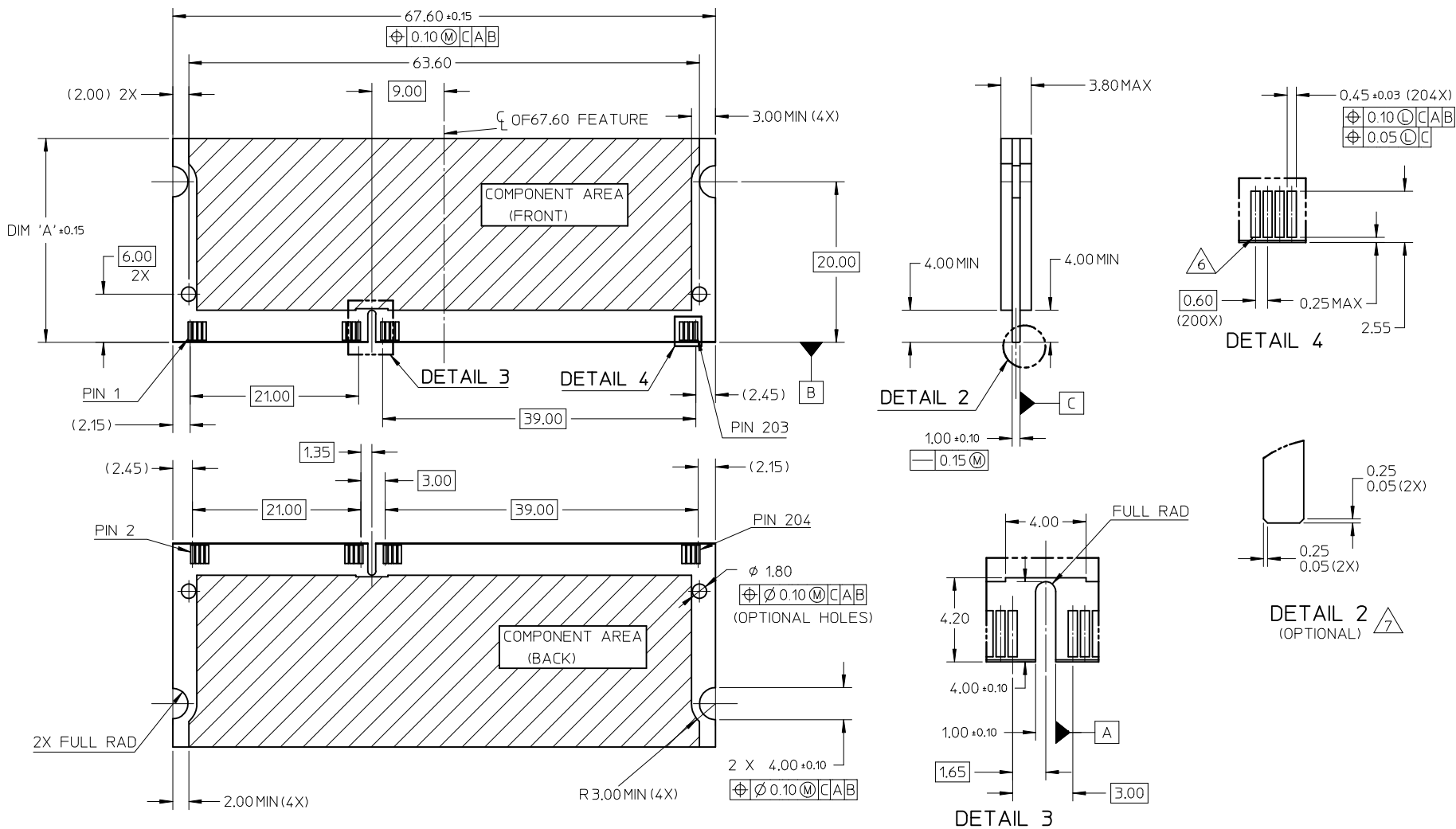
CUST REQ DIM ADD EC NO: S2010-0146 DRWN:VMANICKAM CHKD:CCTEH APPR:SHLENI	2009/08/18 2009/08/20 2009/08/20	QUALITY SYMBOLS ▽=0 ◻=0	GENERAL TOLERANCES (UNLESS SPECIFIED)		DIMENSION STYLE	SCALE	DESIGN UNITS	THIRD ANGLE PROJECTION		
					MM ONLY	NTS	METRIC			
			mm	INCH	DRAWN BY	DATE	TITLE			
			4 PLACES	± --- ± ---	CMTEO	2007/03/16	DDR3 SO DIMM			
3 PLACES	± --- ± ---	CHECKED BY	DATE	204 CKTS, 5.2MM HEIGHT						
2 PLACES	± 0.2 ± ---	VMANICKAM	2007/04/23	REVERSE ORIENTATION						
1 PLACE	± --- ± ---	APPROVED BY	DATE	MOLEX INCORPORATED						
ANGULAR ± 1 °		SHLENI	2007/04/23	MATERIAL NO.		DOCUMENT NO.		SHEET NO.		
DRAFT WHERE APPLICABLE MUST REMAIN WITHIN DIMENSIONS		SEE TABLE		SD-78279-001		1 OF 6				
		THIS DRAWING CONTAINS INFORMATION THAT IS PROPRIETARY TO MOLEX INCORPORATED AND SHOULD NOT BE USED WITHOUT WRITTEN PERMISSION								

# RECOMMENDED PCB LAYOUT



<b>CUST REQ DIM ADD</b> EC NO: S2010-0146 DRWN:VMANICKAM 2009/08/18 CHKD:CCTEH 2009/08/20 APPR:SHLENI 2009/08/20	<b>QUALITY SYMBOLS</b> ▽=0 ◻=0	<b>GENERAL TOLERANCES (UNLESS SPECIFIED)</b>		<b>DIMENSION STYLE</b> MM ONLY	<b>SCALE</b> NTS	<b>DESIGN UNITS</b> METRIC	THIRD ANGLE PROJECTION	
		mm	INCH	DRAWN BY CMTEO	DATE 2007/03/16	TITLE DDR3 SO DIMM 204 CKTS, 5.2MM HEIGHT REVERSE ORIENTATION		
		4 PLACES ± ---	± ---	CHECKED BY VMANICKAM	DATE 2007/04/23	MOLEX INCORPORATED		
		3 PLACES ± ---	± ---	APPROVED BY SHLENI	DATE 2007/04/23	MATERIAL NO. SEE TABLE	DOCUMENT NO. SD-78279-001	SHEET NO. 2 OF 6
2 PLACES ± 0.2	± ---	ANGULAR ± 1 °		THIS DRAWING CONTAINS INFORMATION THAT IS PROPRIETARY TO MOLEX INCORPORATED AND SHOULD NOT BE USED WITHOUT WRITTEN PERMISSION				
1 PLACE ± ---	± ---	DRAFT WHERE APPLICABLE MUST REMAIN WITHIN DIMENSIONS						

RECOMMENDED MATING PCB CONFIGURATION

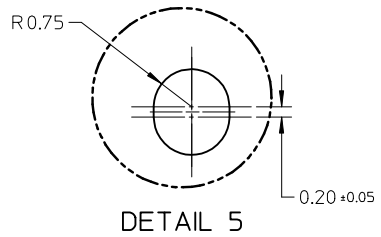
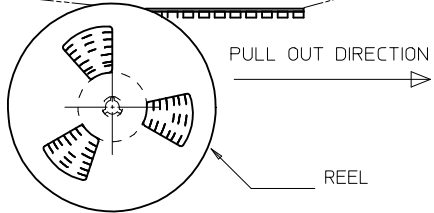
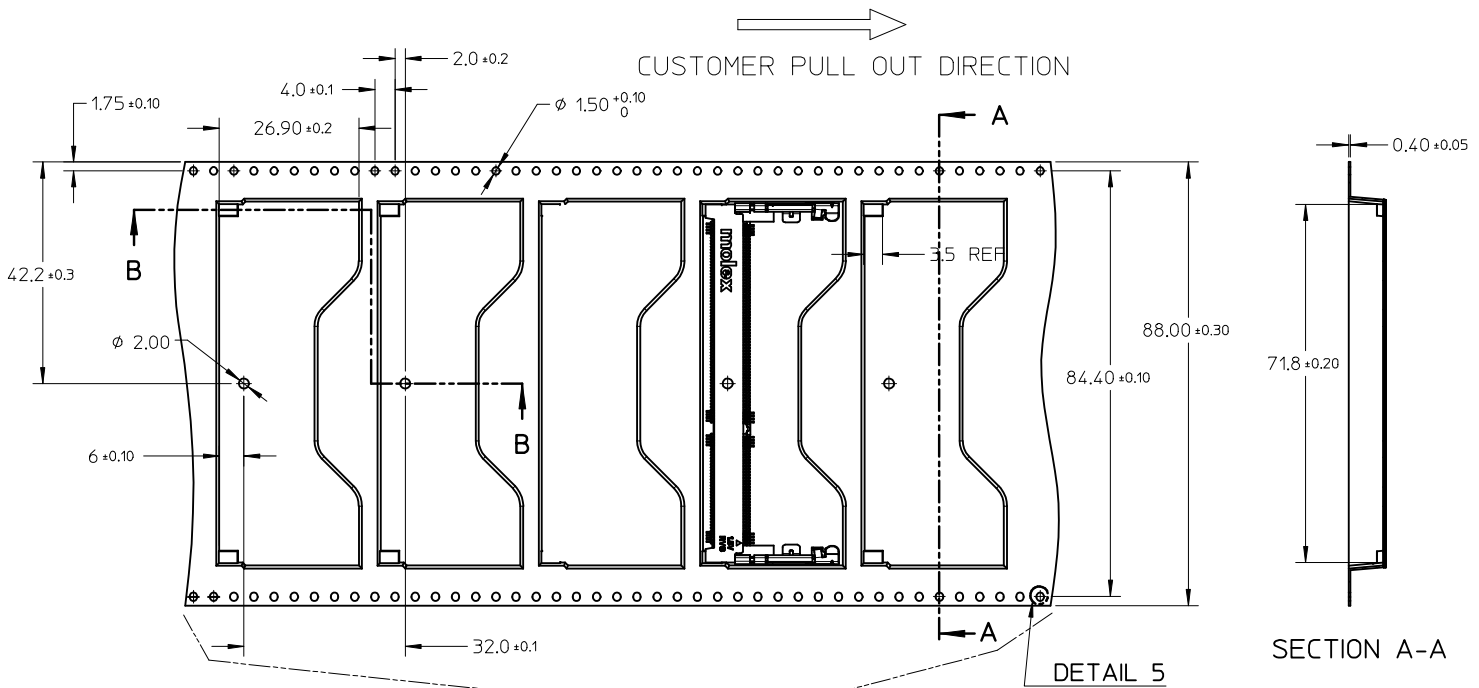


SDRAM VARIATION FROM JEDEC MO-268			
	AA	BB	CC
DIM 'A'	25.40	31.75	30.00

CUST REQ DIM ADD EC NO: S2010-0146 DRWN: VMANICKAM 2009/08/18 CHKD: CCTEH 2009/08/20 APPR: SHLENI 2009/08/20	QUALITY SYMBOLS	GENERAL TOLERANCES (UNLESS SPECIFIED)		DIMENSION STYLE	SCALE	DESIGN UNITS	THIRD ANGLE PROJECTION	
	▽ = 0 Ⓢ = 0	mm	INCH	MM ONLY	NTS	METRIC		
		4 PLACES ± --- ± ---	3 PLACES ± --- ± ---	2 PLACES ± 0.2 ± ---	1 PLACE ± --- ± ---	TITLE		
		ANGULAR ± 1 °		DRAWN BY DATE		TITLE		
	DRAFT WHERE APPLICABLE MUST REMAIN WITHIN DIMENSIONS		CHECKED BY DATE		TITLE			
			APPROVED BY DATE		TITLE			
			MATERIAL NO.		DOCUMENT NO.			
			SEE TABLE		SD-78279-001			
			SIZE A3		THIS DRAWING CONTAINS INFORMATION THAT IS PROPRIETARY TO MOLEX INCORPORATED AND SHOULD NOT BE USED WITHOUT WRITTEN PERMISSION			

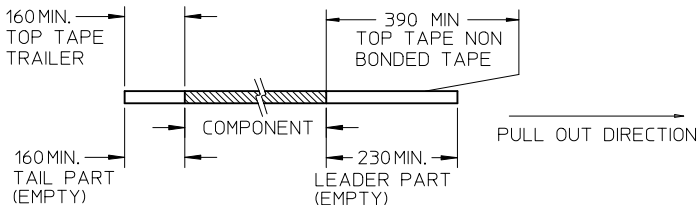
DDR3 SO DIMM  
 204 CKTS, 5.2MM HEIGHT  
 REVERSE ORIENTATION  
**MOLEX INCORPORATED**  
 SHEET NO. 3 OF 6

10 9 8 7 6 5 4 3 2 1

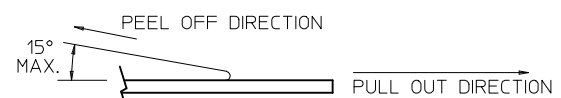


NOTES:

1. LEADER AND TRAILER TAPE



2. PEELING OFF FORCE OF THE TOP TAPE: 10 - 150gf. (PEELING DIRECTION AS SHOWN IN FOLLOWING FIGURE)



3. TAPE AND REEL SPECIFICATION IS AS PER EIA-481.  
 4. TAPE AND REEL QUANTITY : 200 PCS/ REEL.  
 5. THE TAPE IS TREATED FOR ANTI-STATIC.

CUST REQ DIM ADD  
 EC NO: S2010-0146  
 DRWN:VMANICKAM 2009/08/18  
 CHKD:CCTEH 2009/08/20  
 APPR:SHLENI 2009/08/20

QUALITY SYMBOLS	DESCRIPTION
▽=0	
∇=0	

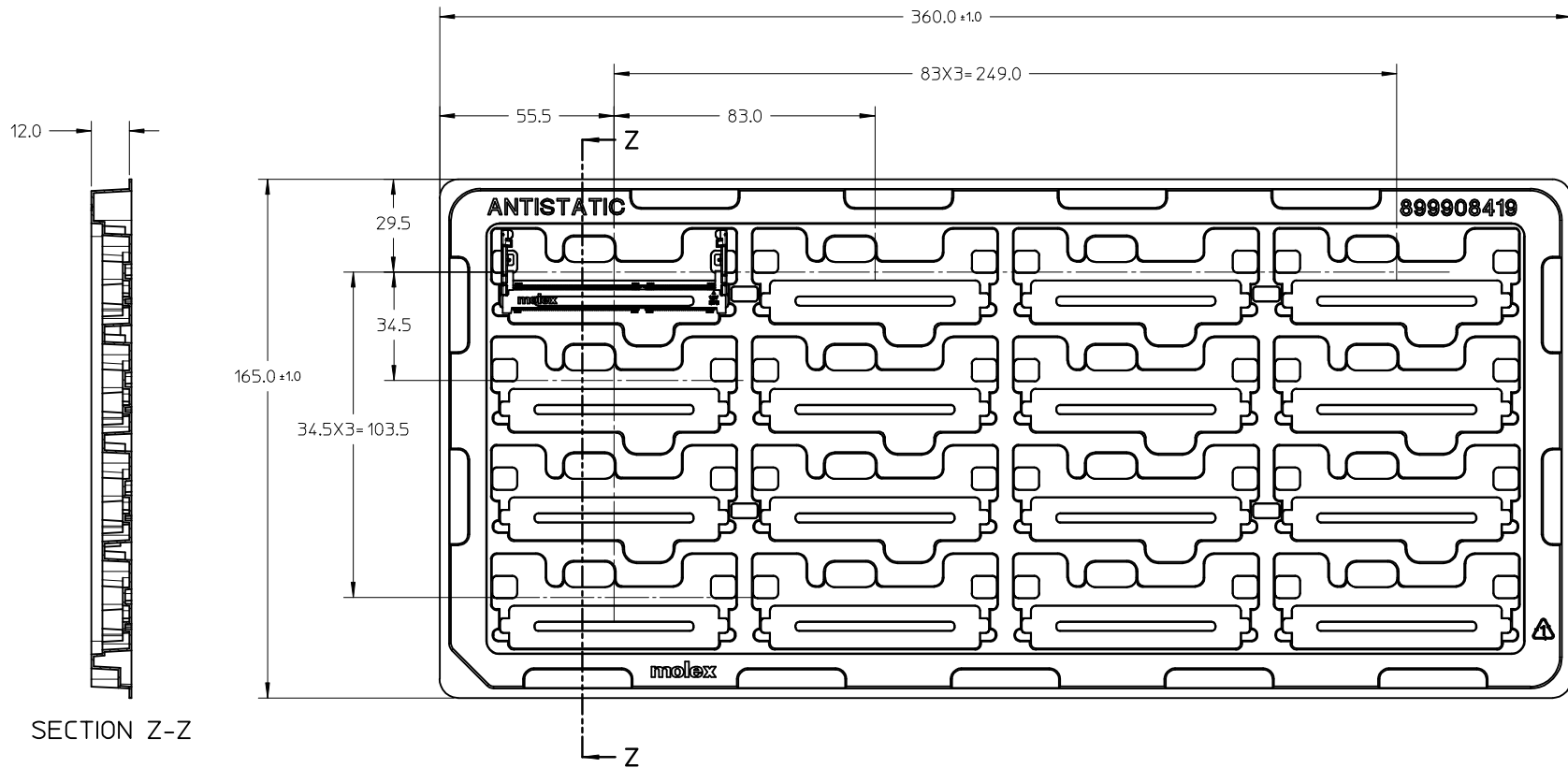
GENERAL TOLERANCES (UNLESS SPECIFIED)	
	mm INCH
4 PLACES	± --- ± ---
3 PLACES	± --- ± ---
2 PLACES	± 0.2 ± ---
1 PLACE	± --- ± ---
ANGULAR ± 1 °	
DRAFT WHERE APPLICABLE MUST REMAIN WITHIN DIMENSIONS	

DIMENSION STYLE	
MM ONLY	
DRAWN BY	DATE
CMTEO	2007/03/16
CHECKED BY	DATE
VMANICKAM	2007/04/23
APPROVED BY	DATE
SHLENI	2007/04/23
MATERIAL NO.	
SEE TABLE	
SIZE	
A3	

SCALE	DESIGN UNITS	THIRD ANGLE PROJECTION
NTS	METRIC	
TITLE		
DDR3 SO DIMM		
204 CKTS, 5.2MM HEIGHT		
REVERSE ORIENTATION		
MOLEX INCORPORATED		
DOCUMENT NO.	SHEET NO.	
SD-78279-001	4 OF 6	
THIS DRAWING CONTAINS INFORMATION THAT IS PROPRIETARY TO MOLEX INCORPORATED AND SHOULD NOT BE USED WITHOUT WRITTEN PERMISSION		

9 8 7 6 5 4 3 2 1

10 9 8 7 6 5 4 3 2 1



SECTION Z-Z

NOTES:

- 1. NO OF CAVITY : 4 X 4 = 16
- 2. UNSPECIFIED TOLERANCE FOR TRAY ±0.5

CUST REQ DIM ADD EC NO: S2010-0146 DRWN:VMANICKAM 2009/08/18 CHKD:CCTEH 2009/08/20 APPR:SHLENI 2009/08/20	DESCRIPTION REV	QUALITY SYMBOLS	GENERAL TOLERANCES (UNLESS SPECIFIED)		DIMENSION STYLE	SCALE	DESIGN UNITS	THIRD ANGLE PROJECTION		
		▼=0 □=0	mm	INCH	MM ONLY	NTS	METRIC			
			4 PLACES ± --- ± ---	3 PLACES ± --- ± ---	DRAWN BY	DATE	TITLE			
			2 PLACES ± 0.2 ± ---	1 PLACE ± --- ± ---	CMTED	2007/03/16	DDR3 SO DIMM 204 CKTS, 5.2MM HEIGHT REVERSE ORIENTATION MOLEX INCORPORATED			
	ANGULAR ± 1 °		CHECKED BY	DATE	DOCUMENT NO.					
			DRAFT WHERE APPLICABLE MUST REMAIN WITHIN DIMENSIONS		VMANICKAM	2007/04/23	SD-78279-001		5 OF 6	
					APPROVED BY	DATE	THIS DRAWING CONTAINS INFORMATION THAT IS PROPRIETARY TO MOLEX INCORPORATED AND SHOULD NOT BE USED WITHOUT WRITTEN PERMISSION			
					SHLENI	2007/04/23				
					SEE TABLE					
					SIZE					
					A3					

9 8 7 6 5 4 3 2 1

PART NO	CONTACT AREA FINISH	SOLDER TAIL FINISH	PACKAGING	PRODUCT SPECIFICATION
78279-0001	3μN GOLD OVER 50μN/1.27μM NICKEL	100 MICROINCH /2.54 MICROMETER MATTE TIN OVER 50 MICEOINCH / 1.27 MICROMETER.	TRAY (360X165MM)	PS-78279-003
78279-1501	15μN/0.38μM GOLD OVER 50μN/1.27μM NICKEL			PS-78279-002
78279-3001	30μN/0.76μM GOLD OVER 50μN/1.27μM NICKEL			PS-78279-001
78279-0002	3μN GOLD OVER 50μN/1.27μM NICKEL	GOLD FLASH OVER 50μN/1.27μM NICKEL.		PS-78279-003
78279-1502	15μN/0.38μM GOLD OVER 50μN/1.27μM NICKEL			PS-78279-002
78279-3002	30μN/0.76μM GOLD OVER 50μN/1.27μM NICKEL			PS-78279-001
78279-0011	3μN GOLD OVER 50μN/1.27μM NICKEL	100 MICROINCH /2.54 MICROMETER MATTE TIN OVER 50 MICEOINCH / 1.27 MICROMETER.	TAPE&REEL	PS-78279-003
78279-1511	15μN/0.38μM GOLD OVER 50μN/1.27μM NICKEL			PS-78279-002
78279-3011	30μN/0.76μM GOLD OVER 50μN/1.27μM NICKEL			PS-78279-001
78279-0012	3μN GOLD OVER 50μN/1.27μM NICKEL	GOLD FLASH OVER 50μN/1.27μM NICKEL.		PS-78279-003
78279-1512	15μN/0.38μM GOLD OVER 50μN/1.27μM NICKEL			PS-78279-002
78279-3012	30μN/0.76μM GOLD OVER 50μN/1.27μM NICKEL			PS-78279-001

CUST REQ DIM ADD EC NO: S2010-0146 DRWN:VMANICKAM 2009/08/18 CHKD:CCTEH 2009/08/20 APPR:SHLENI 2009/08/20	QUALITY SYMBOLS	GENERAL TOLERANCES (UNLESS SPECIFIED)	DIMENSION STYLE <b>MM ONLY</b>	SCALE <b>NTS</b>	DESIGN UNITS <b>METRIC</b>	THIRD ANGLE PROJECTION	
	▼=0 □=0	mm    INCH 4 PLACES ± --- ± --- 3 PLACES ± --- ± --- 2 PLACES ± 0.2 ± --- 1 PLACE ± --- ± --- ANGULAR ± 1 °	DRAWN BY    DATE CMTEO    2007/03/16 CHECKED BY    DATE VMANICKAM    2007/04/23 APPROVED BY    DATE SHLENI    2007/04/23	TITLE <b>DDR3 SO DIMM                  204 CKTS, 5.2MM HEIGHT                  REVERSE ORIENTATION</b>			
	DRAFT WHERE APPLICABLE MUST REMAIN WITHIN DIMENSIONS	MATERIAL NO. <b>SEE TABLE</b>	MOLEX INCORPORATED		DOCUMENT NO. <b>SD-78279-001</b>	SHEET NO. <b>6 OF 6</b>	
	SIZE <b>A3</b>	THIS DRAWING CONTAINS INFORMATION THAT IS PROPRIETARY TO MOLEX INCORPORATED AND SHOULD NOT BE USED WITHOUT WRITTEN PERMISSION					