

PLEASE CHECK WWW.MOLEX.COM FOR LATEST PART INFORMATION

Part Number: [0753310232](#)
Status: **Active**
Overview: [gbx_backplane_connector_system](#)
Description: 1.85mm by 1.85mm (.073 by .073") Pitch 3-Pair GbX® Backplane Connector System, Power Module, 6 Circuits, 1.27µm (50µ") Gold (Au), Lead Free

Documents:

[Drawing \(PDF\)](#) [RoHS Certificate of Compliance \(PDF\)](#)
[Product Specification PS-75221-999 \(PDF\)](#)

General

Product Family	Backplane Connectors
Series	75331
Application	Backplane
Application Tooling Documents	Tooling Manual
Comments	Blade Length A 4.50mm, B 6.00mm, C 4.50mm
Component Type	Power Header
Overview	gbx_backplane_connector_system
Product Name	GbX®
Style	N/A

Physical

Circuits (Loaded)	6
Circuits (maximum)	6
Circuits Detail	Rows A, B & C
Color - Resin	Gray (Dark)
Durability (mating cycles max)	200
First Mate / Last Break	Yes
Guide to Mating Part	No
Keying to Mating Part	None
Material - Metal	High Performance Alloy (HPA)
Material - Plating Mating	Gold
Material - Plating Termination	Tin
Material - Resin	High Temperature Thermoplastic
Number of Columns	N/A
Number of Pairs	3
Number of Rows	3
Orientation	Vertical
PC Tail Length (in)	0.090 In
PC Tail Length (mm)	2.28 mm
PCB Locator	Yes
PCB Retention	Yes
PCB Thickness Recommended (in)	0.063 In
PCB Thickness Recommended (mm)	1.60 mm
Packaging Type	Tube
Pitch - Mating Interface (in)	0.000 In
Pitch - Mating Interface (mm)	0.00 mm
Pitch - Term. Interface (in)	0.102 In
Pitch - Term. Interface (mm)	2.60 mm
Plating min: Mating (µin)	50
Plating min: Mating (µm)	1.25
Plating min: Termination (µin)	30
Plating min: Termination (µm)	0.75
Polarized to PCB	Yes
Stackable	No

EU RoHS

**ELV and RoHS
Compliant**
**REACH SVHC
Contains SVHC: No**
**Halogen-Free
Status**
Halogen-Free

China RoHS



Need more information on product environmental compliance?

Email productcompliance@molex.com
 For a multiple part number RoHS Certificate of Compliance, [click here](#)

Please visit the [Contact Us](#) section for any non-product compliance questions.

Search Parts in this Series

[75331Series](#)

Mates With

[75292 GbX® Daughtercard](#)

Surface Mount Compatible (SMC)	Yes
Temperature Range - Operating	105°C
Termination Interface: Style	Through Hole - Compliant Pin

Electrical

Current - Maximum per Contact	6A
Data Rate	8.0 Gbps
Real Signals (per 25mm)	0
Shield Type	N/A
Shielded	No
Voltage - Maximum	120V AC (RMS)/DC

Material Info

Reference - Drawing Numbers

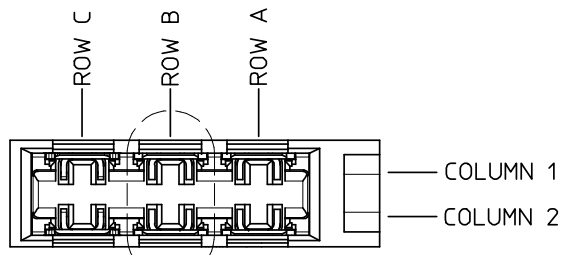
Packaging Specification	PK-70873-571
Product Specification	PS-75221-999
Sales Drawing	SD-75331-001

GbX is a registered trademark of Amphenol Corporation.

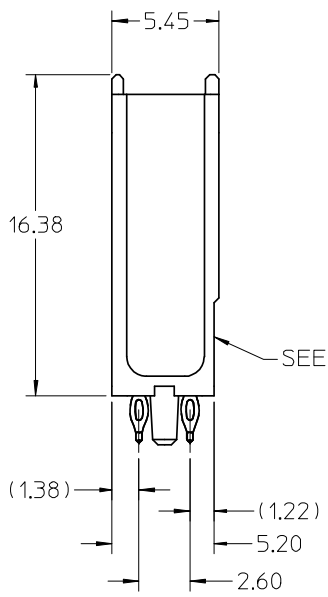
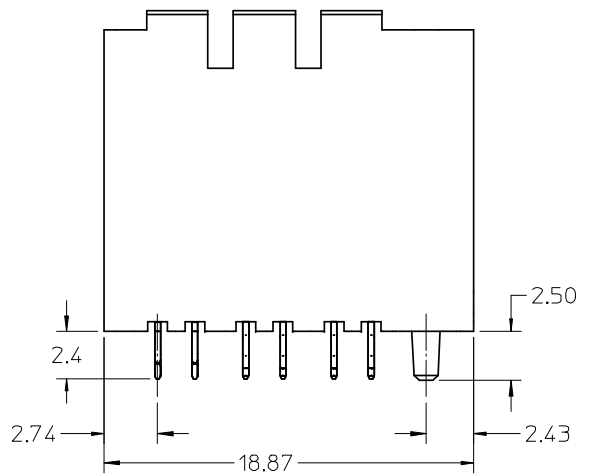
This document was generated on 05/13/2010

PLEASE CHECK WWW.MOLEX.COM FOR LATEST PART INFORMATION

10 9 8 7 6 5 4 3 2 1

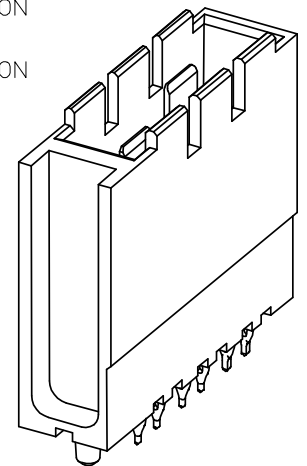


SEE NOTE 4.



SEE NOTE 8.

- NOTES:
1. MATERIALS: HOUSING - LIQUID CRYSTAL POLYMER (LCP), UL 94V-0, GRAY; CONTACT - COPPER ALLOY.
 2. FINISH: SELECT GOLD IN CONTACT AREA, 50 μ " THICK, TIN/LEAD OR MATTE TIN IN COMPLIANT AREA.
 3. PACKAGING PER PK-70873-571.
 4. CONTACTS IN EACH ROW HAVE THE SAME WIPE LENGTH.
 5. BACKPLANE ASSEMBLY MATES WITH DAUGHTERCARD POWER MODULE 75292-3***.
 6. PART SHOWN IS 75331-0467.
 7. SEE OTHER SHEETS FOR ADDITIONAL NOTES.
 8. WHEN INSERTING OPEN SIGNAL MODULES NEXT TO COLUMN 1 SIDE OF POWER MODULES, SIGNAL MODULES MUST BE INSERTED BEFORE THE POWERS TO AVOID INTERFERENCE BETWEEN THE TWO CONNECTOR HOUSINGS.
 9. THESE PARTS CONFORM TO MOLEX PRODUCT SPECIFICATION PS-75221-999.
 10. THESE PARTS CONFORM TO MOLEX COSMETIC SPECIFICATION PS-45499-002.



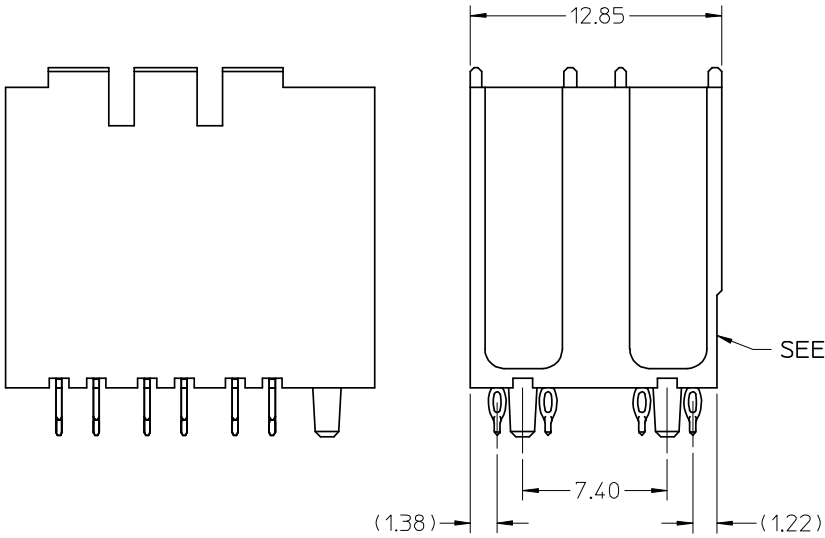
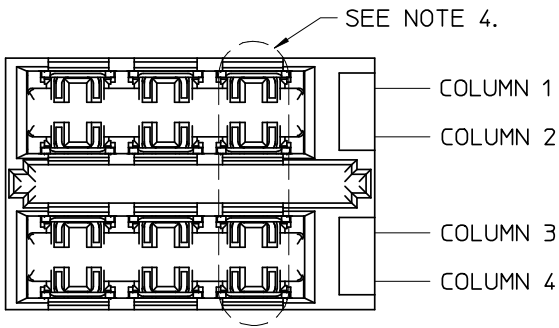
1-UP ASSEMBLY PART NUMBER

7 5 3 3 1 - 0 A B C
 - TIN/LEAD PLATED PRODUCT -
 FOR EACH ROW LOCATION A, B, C:
 0 = VOID
 4 = 4.5 mm WIPE
 6 = 6.0 mm WIPE
 7 = 7.5 mm WIPE
 - LEAD-FREE PLATED PRODUCT -
 FOR EACH ROW LOCATION A, B, C:
 0 = VOID
 2 = 4.5 mm WIPE
 3 = 6.0 mm WIPE
 5 = 7.5 mm WIPE

SPEC FILE CORRECTED EC NO: UCP2008-2380 TIDR/MND/AVARVA 2008/03/27 CHKD: JBINGHAM 2008/03/27 APPR: JBINGHAM 2008/03/31	DESCRIPTION REV	QUALITY SYMBOLS	GENERAL TOLERANCES (UNLESS SPECIFIED)	DIMENSION STYLE	SCALE	DESIGN UNITS	THIRD ANGLE PROJECTION
		▽=0 ▽=0	mm INCH 4 PLACES ±--- ±--- 3 PLACES ±--- ±--- 2 PLACES ±--- ±--- 1 PLACE ±--- ±--- ANGULAR ±---°	MM ONLY DRAWN BY DATE ELO 2005/02/18 CHECKED BY DATE ELO 2005/02/22 APPROVED BY DATE CUNNINGHAM 2005/02/23 MATERIAL NO.	4:1 METRIC	TITLE GBX 3 PAIR BACKPLANE POWER SALES ASSEMBLY	
		DRAFT WHERE APPLICABLE MUST REMAIN WITHIN DIMENSIONS	SEE CHART SIZE B	MOLEX MOLEX INCORPORATED DOCUMENT NO. SD-75331-001	SHEET NO. 1 OF 4		
		THIS DRAWING CONTAINS INFORMATION THAT IS PROPRIETARY TO MOLEX INCORPORATED AND SHOULD NOT BE USED WITHOUT WRITTEN PERMISSION					

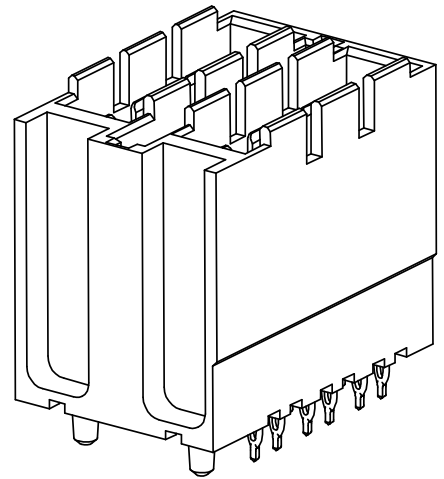
9 8 7 6 5 4 3 2 1

10 9 8 7 6 5 4 3 2 1



2-UP ASSEMBLY PART NUMBER

7 5 3 3 2 - 0 A B C
 - TIN/LEAD PLATED PRODUCT -
 FOR EACH ROW LOCATION A, B, C:
 0 = VOID
 4 = 4.5 mm WIPE
 6 = 6.0 mm WIPE
 7 = 7.5 mm WIPE
 - LEAD-FREE PLATED PRODUCT -
 FOR EACH ROW LOCATION A, B, C:
 0 = VOID
 2 = 4.5 mm WIPE
 3 = 6.0 mm WIPE
 5 = 7.5 mm WIPE

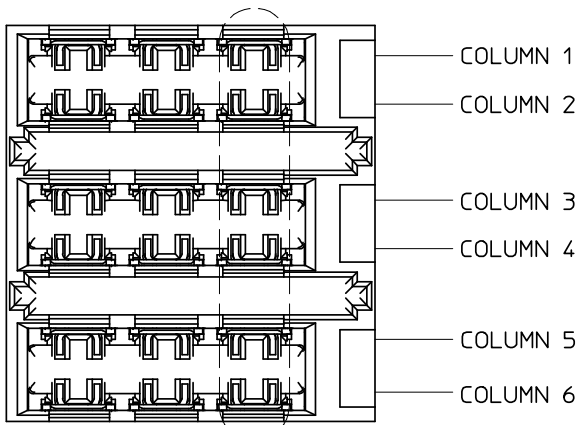


SEE SHEET 1 FOR ADDITIONAL INFORMATION
 CHECK WITH PRODUCT MANAGER FOR AVAILABILITY

SEE SHEET ONE EC NO: UCP2008-2380 TDRWING: VARVARA 2008/03/27 CHKD: BINGHAM 2008/03/27 APPR: BINGHAM 2008/03/31	QUALITY SYMBOLS ▽=0 ▽=0	GENERAL TOLERANCES (UNLESS SPECIFIED)		DIMENSION STYLE MM ONLY		SCALE 4:1	DESIGN UNITS METRIC	THIRD ANGLE PROJECTION		
			mm	INCH	DRAWN BY ELO	DATE 2005/02/18	TITLE GBX 3 PAIR BACKPLANE POWER SALES ASSEMBLY			
		4 PLACES	± ---	± ---	CHECKED BY ELO	DATE 2005/02/22				
		3 PLACES	± ---	± ---	APPROVED BY CUNNINGHAM	DATE 2005/02/23	MOLEX INCORPORATED DOCUMENT NO. SD-75331-001			
2 PLACES	± ---	± ---	MATERIAL NO.							
1 PLACE	± ---	± ---	ANGULAR ± ---°		DRAFT WHERE APPLICABLE MUST REMAIN WITHIN DIMENSIONS		SIZE B		THIS DRAWING CONTAINS INFORMATION THAT IS PROPRIETARY TO MOLEX INCORPORATED AND SHOULD NOT BE USED WITHOUT WRITTEN PERMISSION	

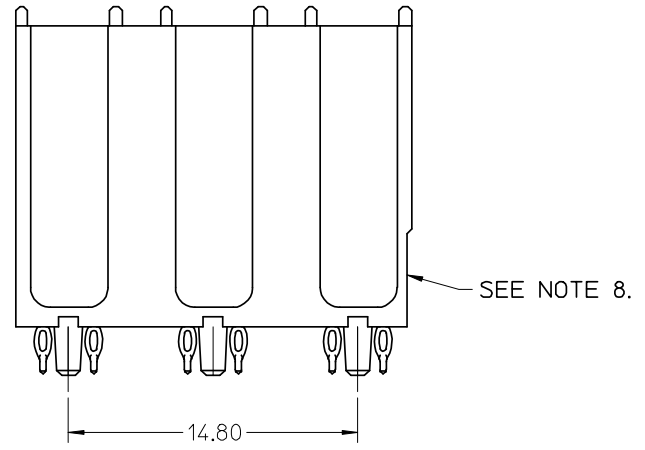
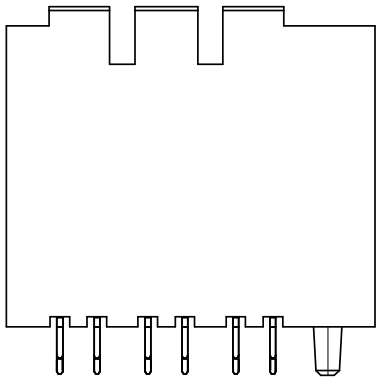
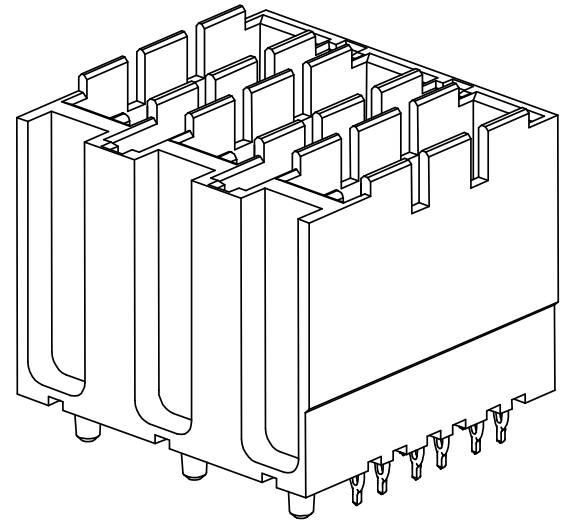
9 8 7 6 5 4 3 2 1

10 9 8 7 6 5 4 3 2 1



3-UP ASSEMBLY PART NUMBER

7 5 3 3 3 - 0 A B C
 - TIN/LEAD PLATED PRODUCT -
 FOR EACH ROW LOCATION A, B, C:
 0 = VOID
 4 = 4.5 mm WIPE
 6 = 6.0 mm WIPE
 7 = 7.5 mm WIPE
 - LEAD-FREE PLATED PRODUCT -
 FOR EACH ROW LOCATION A, B, C:
 0 = VOID
 2 = 4.5 mm WIPE
 3 = 6.0 mm WIPE
 5 = 7.5 mm WIPE



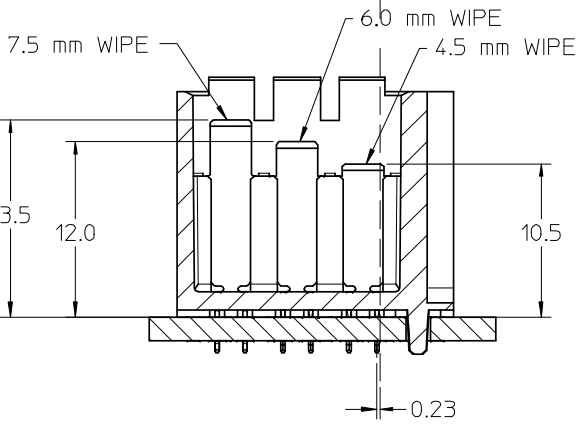
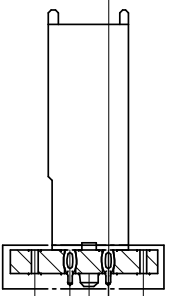
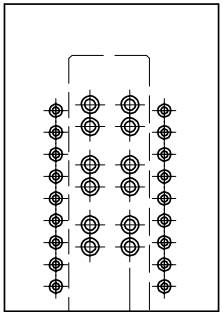
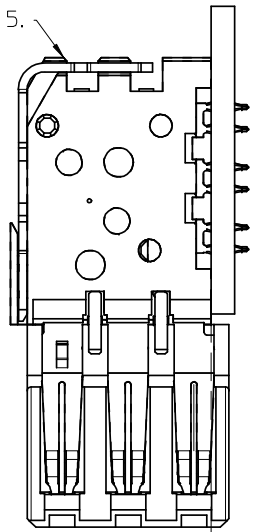
SEE SHEET 1 FOR ADDITIONAL INFORMATION
 CHECK WITH PRODUCT MANAGER FOR AVAILABILITY

SEE SHEET ONE EC NO: UCP2008-2380 TDR: DWARVARVARA 2008/03/27 CHKD: JB INGHAM 2008/03/27 APPR: JB INGHAM 2008/03/31	REV DESCRIPTION	QUALITY SYMBOLS	GENERAL TOLERANCES (UNLESS SPECIFIED)	DIMENSION STYLE	SCALE	DESIGN UNITS	THIRD ANGLE PROJECTION		
		▼=0 ▽=0	mm INCH 4 PLACES ± --- ± --- 3 PLACES ± --- ± --- 2 PLACES ± --- ± --- 1 PLACE ± --- ± --- ANGULAR ± ---°	MM ONLY	4:1	METRIC	DRAWN BY DATE ELO 2005/02/18 CHECKED BY DATE ELO 2005/02/22 APPROVED BY DATE CUNNINGHAM 2005/02/23 MATERIAL NO.	TITLE GBX 3 PAIR BACKPLANE POWER SALES ASSEMBLY MOLEX INCORPORATED DOCUMENT NO. SD-75331-001	SHEET NO. 3 OF 4
		DRAFT WHERE APPLICABLE MUST REMAIN WITHIN DIMENSIONS		SEE CHART	THIS DRAWING CONTAINS INFORMATION THAT IS PROPRIETARY TO MOLEX INCORPORATED AND SHOULD NOT BE USED WITHOUT WRITTEN PERMISSION				
				SIZE B					

9 8 7 6 5 4 3 2 1

10 9 8 7 6 5 4 3 2 1

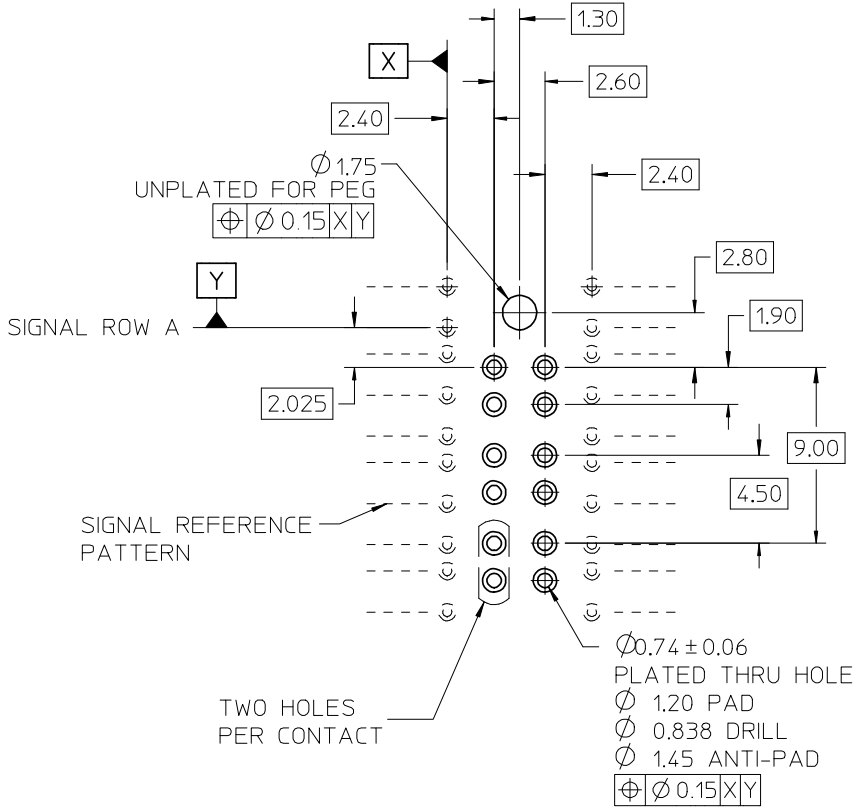
SEE NOTE 5.



DC BOARD EDGE TO CENTERLINE OF BP TAIL

HOLE PATTERN FOR 1-UP ASSEMBLY

- 1.) ADD 7.40 FROM CENTERLINES OF PEGS FOR MULTIPLE UP ASSEMBLIES.
- 2.) ADD 5.55 FROM CENTERLINE TO CENTERLINE OF PEG FOR INDIVIDUAL POWER MODULES STACKED NEXT TO EACH OTHER.



SEE SHEET ONE EC NO: UCP2008-2380 TDRWN: DIVARVARA 2008/03/27 CHKD: JB INGHAM 2008/03/27 APPR: JB INGHAM 2008/03/31	DESCRIPTION REV	QUALITY SYMBOLS ▽=0 ▽=0	GENERAL TOLERANCES (UNLESS SPECIFIED)		DIMENSION STYLE MM ONLY		SCALE 4:1	DESIGN UNITS METRIC	THIRD ANGLE PROJECTION		
		4 PLACES ± --- ± --- 3 PLACES ± --- ± --- 2 PLACES ± --- ± --- 1 PLACE ± --- ± ---	mm INCH ± --- ± --- ± --- ± --- ± --- ± ---	DRAWN BY ELO	DATE 2005/02/18	TITLE GBX 3 PAIR BACKPLANE POWER SALES ASSEMBLY					
		ANGULAR ± --- °		CHECKED BY ELO	DATE 2005/02/22	MOLEX INCORPORATED					
		DRAFT WHERE APPLICABLE MUST REMAIN WITHIN DIMENSIONS		APPROVED BY CUNNINGHAM	DATE 2005/02/23	MATERIAL NO. SEE PREVIOUS	DOCUMENT NO. SD-75331-001	SHEET NO. 4 OF 4			

9 8 7 6 5 4 3 2 1

THIS DRAWING CONTAINS INFORMATION THAT IS PROPRIETARY TO MOLEX INCORPORATED AND SHOULD NOT BE USED WITHOUT WRITTEN PERMISSION