

**PLEASE CHECK WWW.MOLEX.COM FOR LATEST PART INFORMATION**

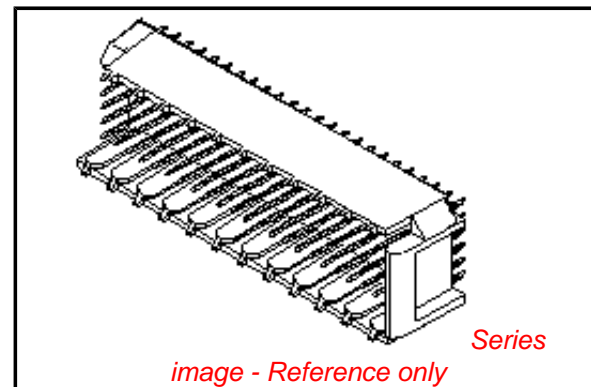
**Part Number:** [0749934000](#)  
**Status:** **Active**  
**Overview:** [hdm](#)  
**Description:** 2.00mm (.079") Pitch HDM® Board-to-Board Stacking Header, High Rise Vertical, SMC, Double End Wall Option, Solder Tail, 72 Circuits

**Documents:**

[Drawing \(PDF\)](#) [RoHS Certificate of Compliance \(PDF\)](#)  
[Product Specification PS-73780-999 \(PDF\)](#)

**General**

Product Family	Backplane Connectors
Series	<a href="#">74993</a>
Application	Backplane, Mezzanine
Component Type	PCB Header
Overview	<a href="#">hdm</a>
Product Name	HDM®
Style	N/A
<b>Physical</b>	
Circuits (Loaded)	72
Circuits (maximum)	72
Color - Resin	Black
Durability (mating cycles max)	250
First Mate / Last Break	No
Guide to Mating Part	No
Keying to Mating Part	None
Material - Metal	Phosphor Bronze
Material - Plating Mating	Gold
Material - Plating Termination	Tin-Lead
Material - Resin	High Temperature Thermoplastic
Number of Columns	12
Number of Pairs	Open Pin Field
Number of Rows	6
Orientation	Vertical
PC Tail Length (in)	0.138 In
PC Tail Length (mm)	3.50 mm
PCB Locator	No
PCB Retention	None
PCB Thickness Recommended (in)	0.098 In
PCB Thickness Recommended (mm)	2.50 mm
Packaging Type	Tube
Pitch - Mating Interface (in)	0.079 In
Pitch - Mating Interface (mm)	2.00 mm
Pitch - Term. Interface (in)	0.079 In
Pitch - Term. Interface (mm)	2.00 mm
Plating min: Mating (µin)	30
Plating min: Mating (µm)	0.75
Plating min: Termination (µin)	15
Plating min: Termination (µm)	0.375
Polarized to PCB	No
Stackable	No
Surface Mount Compatible (SMC)	Yes
Temperature Range - Operating	-55°C to +105°C
Termination Interface: Style	Through Hole - Compliant Pin



*image - Reference only*

**EU RoHS**

**RoHS Compliant by Exemption**  
**REACH SVHC Not Reviewed**  
**Halogen-Free Status Not Reviewed**

**China RoHS**



**Need more information on product environmental compliance?**

Email [productcompliance@molex.com](mailto:productcompliance@molex.com)  
 For a multiple part number RoHS Certificate of Compliance, [click here](#)

Please visit the [Contact Us](#) section for any non-product compliance questions.

**Search Parts in this Series**  
[74993Series](#)

**Electrical**

Current - Maximum per Contact	1A
Data Rate	1.0 Gbps
Real Signals (per 25mm)	75
Shielded	No
Voltage - Maximum	250V AC

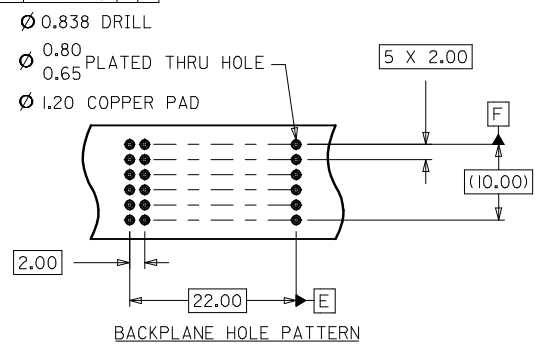
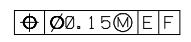
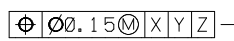
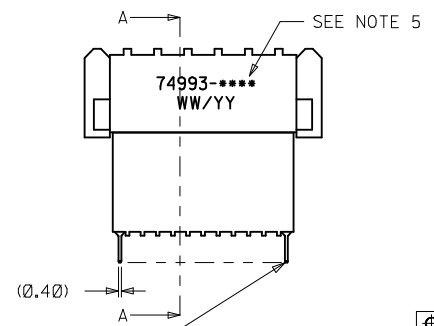
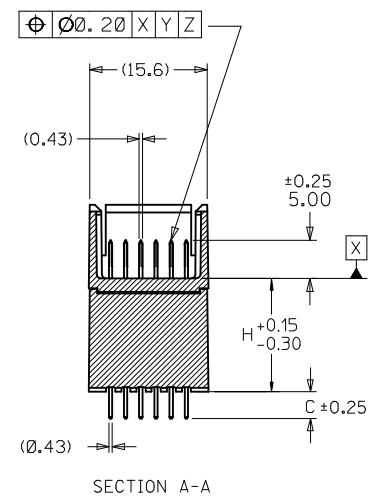
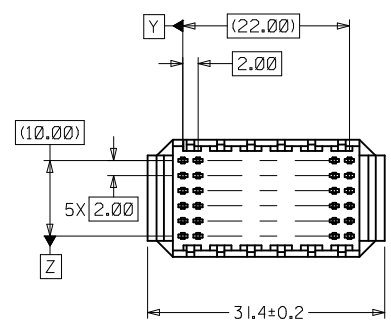
**Material Info****Reference - Drawing Numbers**

Application Specification	AS-73642-9998
Packaging Specification	PK-70873-0875
Product Specification	PS-73780-999
Sales Drawing	SD-74993-001

HDM and High Density Metric are trademarks of Amphenol Corporation

This document was generated on 05/17/2010

**PLEASE CHECK [WWW.MOLEX.COM](http://WWW.MOLEX.COM) FOR LATEST PART INFORMATION**



- Ø 0.838 DRILL
- Ø 0.80 PLATED THRU HOLE
- Ø 0.65
- Ø 1.20 COPPER PAD

- Notes:**
1. MATERIALS: HOUSING-LIQUID CRYSTAL POLYMER (LCP), GLASS FILLED, UL94V-0, COLOR: BLACK  
TERMINAL-PHOSPHOR BRONZE.
  2. FINISH:  
PRESS FIT OPTION: SELECTIVE GOLD (Au) IN CONTACT AREA, 0.00076mm THICKNESS; SELECTIVE TIN/LEAD (Sn/Pb) ON PCB TAILS, NICKEL (Ni) OVERALL.  
SOLDER TAIL OPTION: SELECTIVE GOLD (Au) IN CONTACT AREA, 0.00076mm THICKNESS, SELECTIVE TIN ON PCB TAILS, NICKEL (Ni) OVERALL.
  3. THIS PART CONFORMS TO MOLEX PRODUCT SPECIFICATION PS-73780-999.
  4. PACKAGE PER PK-70873-0870, PK-70873-0871, OR PK-70873-0875.
  5. PARTS MARKED WITH PART NUMBER AND DATE CODE ON EITHER SIDE APPROXIMATELY WHERE SHOWN.
  6. THIS PART CONFORMS TO MOLEX COSMETIC SPECIFICATION PS-45499-002 CLASS C.

REVISE H DIM TOL EC NO: UCP2008-3186 DRWN:SDANWELLEY 2008/07/29 CHKD:MIBARRA 2008/09/11 APPR:SMILLER 2008/09/16	QUALITY SYMBOLS ▽=0 ▽=0	GENERAL TOLERANCES (UNLESS SPECIFIED)		DIMENSION STYLE <b>MM ONLY</b>	SCALE <b>2:1</b>	DESIGN UNITS <b>METRIC</b>	THIRD ANGLE PROJECTION		
		4 PLACES ± --- ± --- 3 PLACES ± --- ± --- 2 PLACES ± 0.05 ± --- 1 PLACE ± 0.10 ± ---	mm INCH	DRAWN BY JB INGHAM	DATE 2001/10/08	TITLE <b>SALES ASSEMBLY HDM BACKPLANE STACKING MODULE DOUBLE END WALL</b>			
		ANGULAR ±1/2°		CHECKED BY SREED	DATE 2001/10/08	MOLEX MOLEX INCORPORATED			
		DRAFT WHERE APPLICABLE MUST REMAIN WITHIN DIMENSIONS		APPROVED BY CB1XLER	DATE 2001/10/08	MATERIAL NO. <b>SEE TABLE</b>	DOCUMENT NO. <b>SD-74993-001</b>	SHEET NO. <b>1 OF 2</b>	

THIS DRAWING CONTAINS INFORMATION THAT IS PROPRIETARY TO MOLEX INCORPORATED AND SHOULD NOT BE USED WITHOUT WRITTEN PERMISSION

# MATERIAL NUMBER ASSIGNMENT

74993-\* \* 0 0

NUMBER	CIRCUIT SIZE	DIM "C"	TAIL STYLE
0	72	2.0	SOLDER
1	72	2.5	SOLDER
2	72	3.0	SOLDER
3	72	3.5	SOLDER
4	72	3.5	PRESSFIT

NUMBER	DIM "H"
0	6.05
1	10.05
2	15.05




REVISE H DIM TOL EC NO: UCP2008-3186 DRWN:SDANWELLY 2008/07/29 CHKD:MIBARRA 2008/09/11 APPR:SMILLER 2008/09/16	REV D	DESCRIPTION QUALITY SYMBOLS ▽=0 ▽=0	GENERAL TOLERANCES (UNLESS SPECIFIED)		DIMENSION STYLE <b>MM ONLY</b>	SCALE <b>1:1</b>	DESIGN UNITS <b>METRIC</b>	THIRD ANGLE PROJECTION 				
			4 PLACES ± --- ± --- 3 PLACES ± --- ± --- 2 PLACES ± 0.05 ± --- 1 PLACE ± 0.10 ± ---		DRAWN BY DATE JB INGHAM 2001/10/08		CHECKED BY DATE SREED 2001/10/08		TITLE <b>SALES ASSEMBLY HDM                  BACKPLANE STACKING                  MODULE DOUBLE END WALL</b>			
			ANGULAR ±1/2°		APPROVED BY DATE CB IXLER 2001/10/08		MOLEX INCORPORATED DOCUMENT NO.					
			DRAFT WHERE APPLICABLE MUST REMAIN WITHIN DIMENSIONS		SEE TABLE				SD-74993-001			
THIS DRAWING CONTAINS INFORMATION THAT IS PROPRIETARY TO MOLEX INCORPORATED AND SHOULD NOT BE USED WITHOUT WRITTEN PERMISSION												

## MATERIAL NUMBER ASSIGNMENT

74993-\* \* 0 0

NUMBER	CIRCUIT SIZE	DIM "C"	TAIL STYLE
0	72	2.0	SOLDER
1	72	2.5	SOLDER
2	72	3.0	SOLDER
3	72	3.5	SOLDER
4	72	3.5	PRESSFIT

NUMBER	DIM "H"
0	6.05
1	10.05
2	15.05

SEE SHEET 1 EC NO. UCP2003-0313 DRW: REED 02/08/20 CHK: BINGHAM 02/08/20 APPR: BIXLER 02/08/20	QUALITY SYMBOLS MAJOR  =0 CRITICAL  =0	DESCRIPTION REV	GENERAL TOLERANCES: (UNLESS SPECIFIED) mm      INCH		SCALE NO: NE	DESIGN UNITS <input checked="" type="checkbox"/> mm <input type="checkbox"/> INCH	DIMENSIONS: <input type="checkbox"/> mm <input type="checkbox"/> INCH <input checked="" type="checkbox"/> mm ONLY	THIRD ANGLE PROJECTION 	SHT    REV REVISIONS ON CAD ONLY
			DRAWN BY & DATE JBINGHAM 01/10/08		TITLE: SALES ASSEMBLY HDM BACKPLANE STACKING MODULE DOUBLE END WALL OPTION				
			CHECKED BY & DATE SREED 01/10/08		APPROVED BY & DATE CBIXLER 01/10/08				
			4 PLACES ±0.      ±.		CAD FILENAME S74993X2.DGN				
3 PLACES ±0.      ±.		MATERIAL NO.    DRAWING NO.    SHEET NO. SEE CHART      SD-74993-001      2							
2 PLACES ±0, N/A      ±.		THIS DRAWING CONTAINS INFORMATION THAT IS PROPRIETARY TO MOLEX INCORPORATED AND SHOULD NOT BE USED WITHOUT WRITTEN PERMISSION.							
1 PLACE ±0, N/A      ±.									
ANGULAR: ±      °		DRAFT WHERE APPLICABLE MUST REMAIN WITHIN DIMENSIONS							