

PLEASE CHECK WWW.MOLEX.COM FOR LATEST PART INFORMATION

Part Number: [0681880811](#)
Status: **Active**
Description: 2.50mm (.098") Pitch Header, Single Row, Vertical, Dual-Body Type, 8 Circuits

Documents:

[3D Model](#) [Product Specification PS-68188-001 \(PDF\)](#)
[Drawing \(PDF\)](#) [RoHS Certificate of Compliance \(PDF\)](#)

General

Product Family	PCB Headers
Series	68188
Application	Board-to-Board
Product Name	Dual Body

Physical

Breakaway	Yes
Circuits (Loaded)	8
Circuits (maximum)	8
First Mate / Last Break	No
Glow-Wire Compliant	No
Guide to Mating Part	No
Keying to Mating Part	None
Lock to Mating Part	None
Material - Plating Mating	Gold
Material - Plating Termination	Gold
Number of Rows	1
Orientation	Vertical
PC Tail Length (in)	0.138 In
PC Tail Length (mm)	3.50 mm
PCB Locator	No
PCB Retention	None
PCB Thickness Recommended (in)	0.062 In
PCB Thickness Recommended (mm)	1.60 mm
Packaging Type	Bag
Pitch - Mating Interface (in)	0.098 In
Pitch - Mating Interface (mm)	2.50 mm
Polarized to Mating Part	No
Shrouded	No
Stackable	Yes
Temperature Range - Operating	-55°C to +125°C
Termination Interface: Style	Through Hole

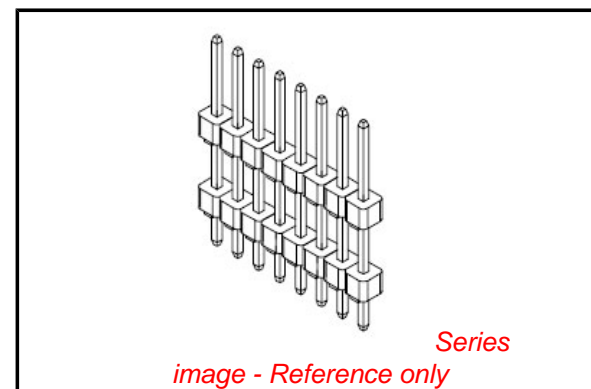
Electrical

Current - Maximum per Contact	2A
Voltage - Maximum	250V

Material Info

Reference - Drawing Numbers

Product Specification	PS-68188-001
Sales Drawing	SD-68188-001



EU RoHS

ELV and RoHS Compliant
REACH SVHC
 Not Reviewed
Halogen-Free Status
 Not Reviewed

China RoHS



Need more information on product environmental compliance?

Email productcompliance@molex.com
 For a multiple part number RoHS Certificate of Compliance, [click here](#)

Please visit the [Contact Us](#) section for any non-product compliance questions.

Search Parts in this Series

68188Series

Mates With

421402208

DWG. NO.
SD-68188-001

SIMILAR ITEM

PROJECT NO.

REV

5

NEW RELEASE
ECN NO. KOR2004-0127
DRWN: S.H.JOO 2004.02.11
CHK: J.K.OH
APPR: C.W.LEE

A

DESCRIPTION

QUALITY SYMBOLS
MAJOR
CRITICAL

	GENERAL TOLERANCES: (UNLESS SPECIFIED)	
	mm	INCH
4 PLACES	±0.	±-
3 PLACES	±0.	±-
2 PLACES	±0.	±-
1 PLACE	±0.	±-
ANGULAR: ± °		

DRAFT WHERE APPLICABLE MUST REMAIN WITHIN DIMENSIONS

SCALE 3/1
DESIGN UNITS mm INCH
DRAWN BY & DATE S.H.JOO 2004.02.11
CHECKED BY & DATE J.K.OH
APPROVED BY & DATE C.W.LEE
CAD FILENAME

THIS DRAWING CONTAINS INFORMATION THAT IS PROPRIETARY TO MOLEX INCORPORATED AND SHOULD NOT BE USED WITHOUT WRITTEN PERMISSION.

THIRD ANGLE PROJECTION
TITLE:
2.5 B/B PIN HEADER ASS'Y-8P
MOLEX INCORPORATED

MATERIAL NO. SEE CHART
DRAWING NO. SD-68188-001
SHEET NO. 1 OF 1

ENG. NUMBER	68188-0811
EDP NUMBER	681880811
DIMENSIONS:	SHT REV
<input type="checkbox"/> mm <input type="checkbox"/> INCH <input checked="" type="checkbox"/> mm ONLY	REVISE ON CAD ONLY

SIZE A

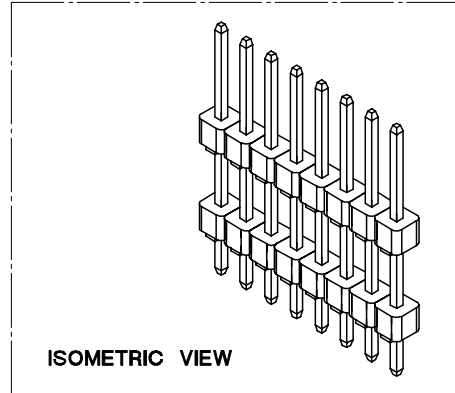
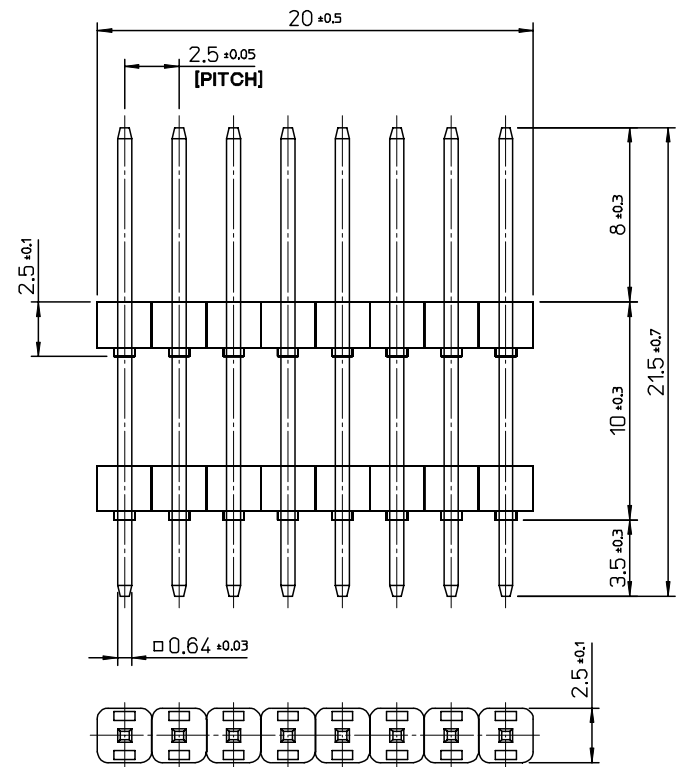
5

4

3

2

1



NOTES

- MATERIAL**
INSULATOR : POLYAMIDE 66, GLASS FILLED. UL94V-0
COLOR : BLACK
PIN : BRASS, ϕ 0.64mm
- FINISH**
PIN : GOLD FLASH

KOREA MX-A4