

PLEASE CHECK WWW.MOLEX.COM FOR LATEST PART INFORMATION

Part Number: [0579649702](#)
Status: **Active**
Description: 1.52mm (.060") OBD-II Male Terminal for AVS(CAVS) 0.3-0.5

Documents:

[Drawing \(PDF\)](#) [RoHS Certificate of Compliance \(PDF\)](#)
[Product Specification PS-68503-001 \(PDF\)](#)

General

Product Family	Crimp Terminals
Series	57964
Crimp Quality Equipment	Yes
Product Name	OBD-II

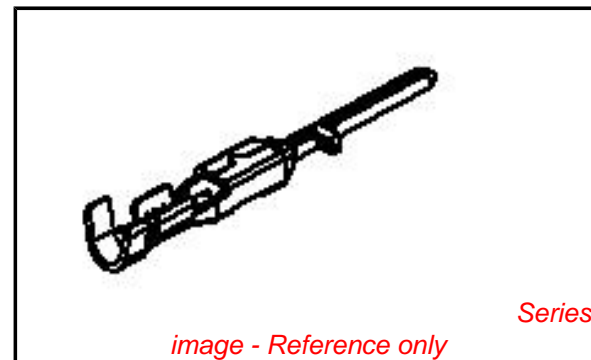
Physical

Gender	Male
Material - Metal	Brass
Material - Plating Mating	Tin
Material - Plating Termination	Tin
Packaging Type	Reel
Termination Interface: Style	Crimp or Compression
Wire Insulation Diameter	1.40-2.30mm(.055-.091")
Wire Size AWG	N/A
Wire Size mm ²	AVS (CAVS) 0.3 TO 0.5

Material Info

Reference - Drawing Numbers

Product Specification	PS-68503-001
Sales Drawing	SD-57964-002



EU RoHS

**ELV and RoHS
Compliant**

REACH SVHC

Contains SVHC: No

Halogen-Free

Status

Halogen-Free

China RoHS



**Need more information on product
environmental compliance?**

Email productcompliance@molex.com
 For a multiple part number RoHS Certificate of Compliance, [click here](#)

Please visit the [Contact Us](#) section for any non-product compliance questions.

Search Parts in this Series

57964Series

Use With

68503-1602

Application Tooling | FAQ

Tooling specifications and manuals are found by selecting the products below. Crimp Height Specifications are then contained in the Application Tooling Specification document.

Global

Description	Product #
Fine Adjust Applicator for 1.52mm (.060") Female Terminal Hand Crimp Tool for OBD II 1.52mm (.060") Crimp Terminal, 0.30-0.50mm ² and 20-22 AWG	0639011200
	0638194700

T2 Terminator for OBD II 1.52mm (.060") Crimp Terminal for 20-22 AWG	<u>0639111200</u>
Extraction Tool	<u>0638132700</u>

This document was generated on 03/29/2010

PLEASE CHECK WWW.MOLEX.COM FOR LATEST PART INFORMATION

DWG. 10.
SD-57964-002

SIMILAR ITEM

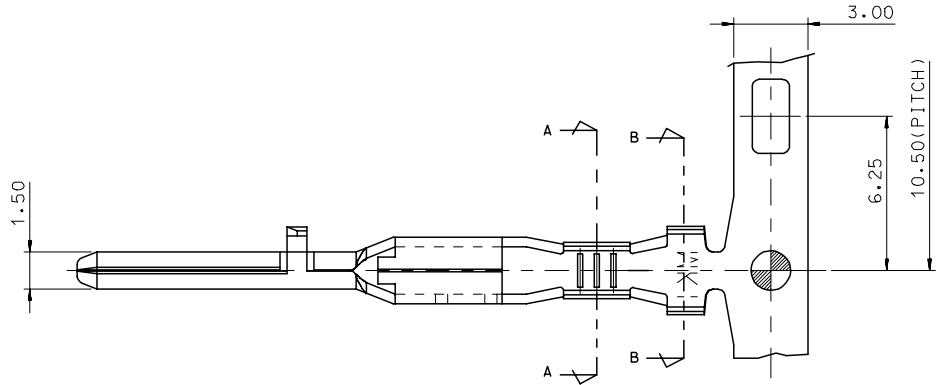
PROJECT NO.

C

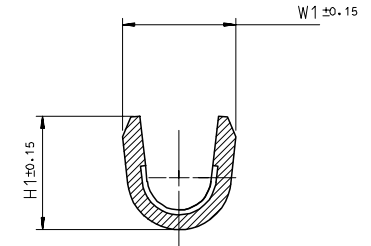
B

DO NOT SCALE DRAWING
DIMENSION IN METRIC

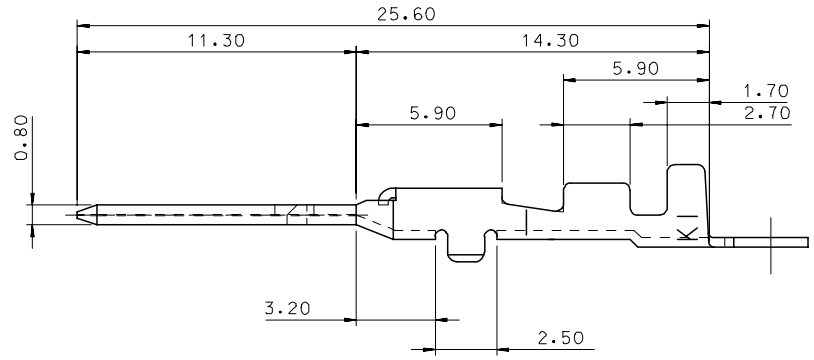
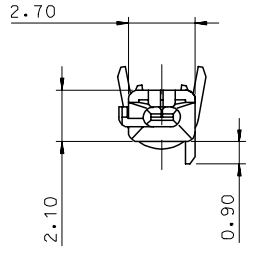
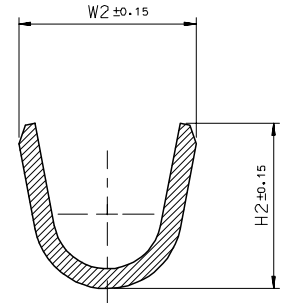
ENG.NO	MATERIAL NO.	DESCRIPTION	DIMENSION						WIRE RANGE mm ²
			W1	H1	R1	W2	H2	R2	
57964-9702	579649702	.060 MALE TER'L(S)	2.3	2.3	R0.65	3.6	3.35	R0.90	AVS(CAVS) 0.3,0.5
57964-9802	579649802	.060 MALE TER'L(M)	2.8	2.95	R0.9	4.2	3.9	R1.3	AVS(CAVS) 0.5,0.85,1.25
57964-9902	579649902	.060 MALE TER'L(L)	3.8	4.1	R1.1	4.5	4.0	R1.4	AVSS 2f



SECTION A-A
(S=10:1)



SECTION B-B
(S=10:1)



- MATERIAL: BRASS, $\pm=0.35\pm0.02$
- FINISH: PRE-TIN

CHANGE OF BOARD EC NO.: KOR2006-0039 DRWN: S.Y.PARK 05/09/20 CHK: B.C.YOON 05/09/20 APPR: C.W.LEE 05/09/20	QUALITY SYMBOLS MAJOR = CRITICAL =	GENERAL TOLERANCES: (UNLESS SPECIFIED)		SCALE 5:1	DESIGN UNITS <input checked="" type="checkbox"/> mm <input type="checkbox"/> INCH	THIRD ANGLE PROJECTION 	DIMENSIONS: <input type="checkbox"/> mm <input type="checkbox"/> INCH <input type="checkbox"/> mm <input type="checkbox"/> INCH	SHT	REV
		4 PLACES	±0.	±.	DRAWN BY & DATE H.C.RHO 011229	TITLE: .060 MALE TERMINAL			
		3 PLACES	±0.	±.	CHECKED BY & DATE H.C.RHO 011229	MOLEX INCORPORATED KOREA			
		2 PLACES	±0.3	±.	APPROVED BY & DATE C.W.LEE 011229	CAD FILENAME S060MT	MATERIAL NO. SEE TABLE	DRAWING NO. SD-57964-002	SHEET NO. 1 OF 1
1 PLACE	±0.	±.	ANGULAR: ± °	THIS DRAWING CONTAINS INFORMATION THAT IS PROPRIETARY TO MOLEX INCORPORATED AND SHOULD NOT BE USED WITHOUT WRITTEN PERMISSION.					MX-A3
REV	DESCRIPTION	DRAFT WHERE APPLICABLE MUST REMAIN WITHIN DIMENSIONS							

F

E

D

C

B

A

MX-A3