

PLEASE CHECK WWW.MOLEX.COM FOR LATEST PART INFORMATION

Part Number: [0530480710](#)
Status: **Active**
Overview: [picoblade](#)
Description: 1.25mm (.049") Pitch PicoBlade™ Header, Right Angle, 7 Circuits

Documents:

[3D Model](#) [Product Specification PS-51021-010 \(PDF\)](#)
[Drawing \(PDF\)](#) [RoHS Certificate of Compliance \(PDF\)](#)

General

Product Family	PCB Headers
Series	53048
Application	Wire-to-Board
Overview	picoblade
Product Name	PicoBlade™

Physical

Breakaway	No
Circuits (Loaded)	7
Circuits (maximum)	7
Color - Resin	Natural
First Mate / Last Break	No
Glow-Wire Compliant	No
Guide to Mating Part	No
Keying to Mating Part	None
Lock to Mating Part	Yes
Mated Height (in)	0.138 In
Mated Height (mm)	3.50 mm
Material - Plating Mating	Tin
Material - Resin	Nylon
Number of Rows	1
Orientation	Right Angle
PC Tail Length (in)	0.091 In
PC Tail Length (mm)	2.30 mm
PCB Locator	No
PCB Retention	None
PCB Thickness Recommended (in)	0.031 In
PCB Thickness Recommended (mm)	0.80 mm
Packaging Type	Tray
Pitch - Mating Interface (in)	0.049 In
Pitch - Mating Interface (mm)	1.25 mm
Polarized to PCB	No
Shrouded	Fully
Stackable	No
Temperature Range - Operating	-40°C to +85°C
Termination Interface: Style	Through Hole

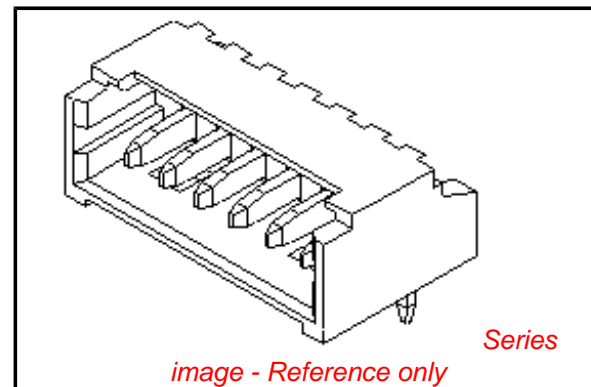
Electrical

Current - Maximum per Contact	1A
Voltage - Maximum	125V

Material Info

Reference - Drawing Numbers

Packaging Specification	SPK-53048-001
-------------------------	---------------



EU RoHS

**ELV and RoHS
Compliant**
REACH SVHC
 Not Reviewed
**Halogen-Free
Status**
 Not Reviewed

China RoHS



**Need more information on product
environmental compliance?**

Email productcompliance@molex.com
 For a multiple part number RoHS Certificate of
 Compliance, [click here](#)

Please visit the [Contact Us](#) section for any
 non-product compliance questions.

Search Parts in this Series

[53048Series](#)

Mates With

[51021 PicoBlade™ Wire-to-Wire](#)

Product Specification

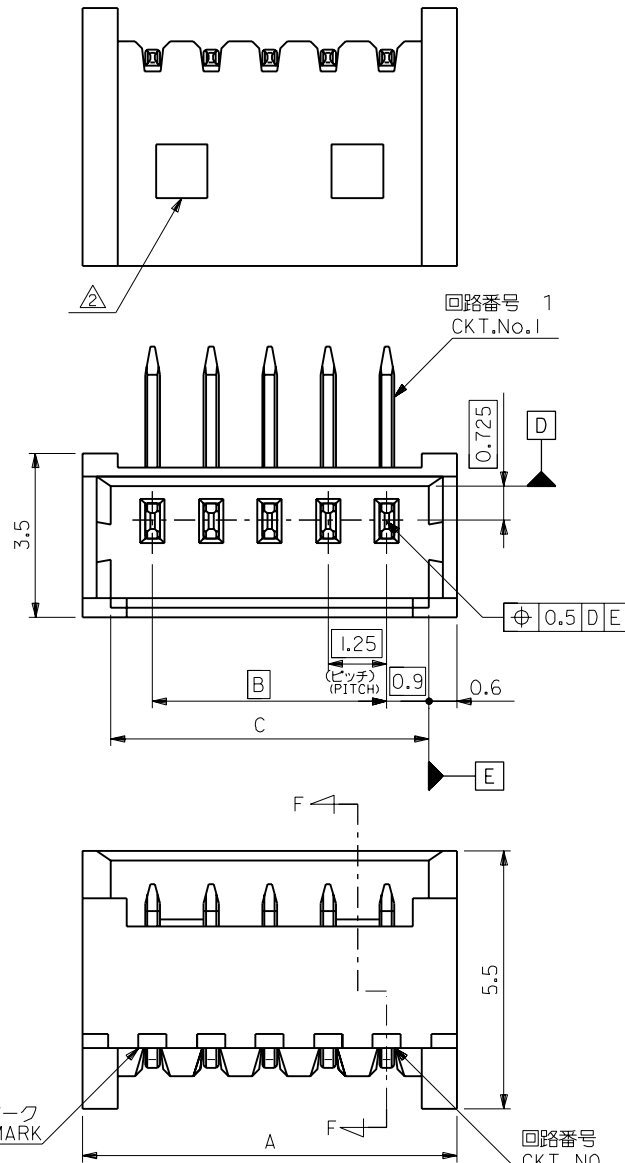
Sales Drawing

PS-51021-010, RPS-51021-007, RPS-51021-011,
RPS-51021-048, RPS-51021-059, RPS-51021-060,
RPS-51021-071, RPS-51021-089
SD-53048-**10

This document was generated on 05/26/2010

PLEASE CHECK WWW.MOLEX.COM FOR LATEST PART INFORMATION

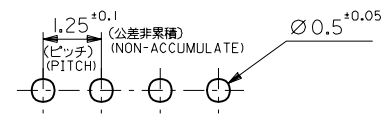
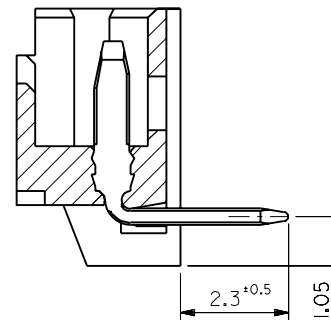
トレードマーク
TRADE MARK



注記

NOTES

1. 嵌合相手: 51021-**-00
MATE WITH: 51021-**-00
- △ ロック窓は、2. 3極が1ヶ所、4~15極が2ヶ所とする。
WINDOW OF LOCK CONSTRUCTED 1POINT BY 2,3POLES
AND 2POINTS BY 4~15POLES.



基板取付穴推奨寸法 (t=0.8)
RECOMMENDED PC BOARD HOLE DIMENSION (t=0.8)

19.3	17.5	20.5	53048-1510	15
18.05	16.25	19.25	-1410	14
16.8	15	18	-1310	13
15.55	13.75	16.75	-1210	12
14.3	12.5	15.5	-1110	11
13.05	11.25	14.25	-1010	10
11.8	10	13	-0910	9
10.55	8.75	11.75	-0810	8
9.3	7.5	10.5	-0710	7
8.05	6.25	9.25	-0610	6
6.8	5	8	-0510	5
5.55	3.75	6.75	-0410	4
4.3	2.5	5.5	-0310	3
3.05	1.25	4.25	53048-0210	2
C	B	A	ENG. NO.	極数

材料	ピン: リン青銅、錫メッキ MATERIAL: PIN: PHOSPHOR BRONZE, TIN PLATE
ウェハー	: 66ナイロン、UL94V-0 WAFER: 66NYLON, UL94V-0
仕上げ	FINISH
適用電線範囲	WIRE RANGE
被覆外径	INS. RANGE
DRAWN BY	'96/06/11 S.A.NDO
CHK'D BY	'96/06/11 M.FUKUSHIMA
APP'D BY	'96/06/11 M.ENOMOTO
尺度	SCALE 10 : 1

角度 ANGLE	±3°
30以上 OVER	+0.3
10以上 30未満 UNDER	+0.25
10未満 UNDER	+0.2
一般公差 GENERAL TOLERANCES	

記号 LTR	変更内容 REVISION RECORD	DR. / CHK.	日付 DATE
C	再作図 (JC70378)	S.A.M.F	'96/06/11

molex MOLEX-JAPAN CO.,LTD.
日本モレックス株式会社

REVISE ONLY ON CAD SYSTEM

TITLE 名称
1.25 WIRE TO BOARD
CONN. WAFER ASS'Y R/A

DWG. NO. SD-53048-**-10 REV C