

PLEASE CHECK WWW.MOLEX.COM FOR LATEST PART INFORMATION

Part Number: [0508029101](#)
Status: **Active**
Description: 2.50mm (.098") Pitch Crimp Terminal, Female, Brass, Bag

Documents:

3D Model	Product Specification PS-51191-003 (PDF)
Drawing (PDF)	RoHS Certificate of Compliance (PDF)
Product Specification PS-51191-002 (PDF)	

General

Product Family	Crimp Terminals
Series	50802
Crimp Quality Equipment	Yes
MolexKits	Yes
Product Name	N/A

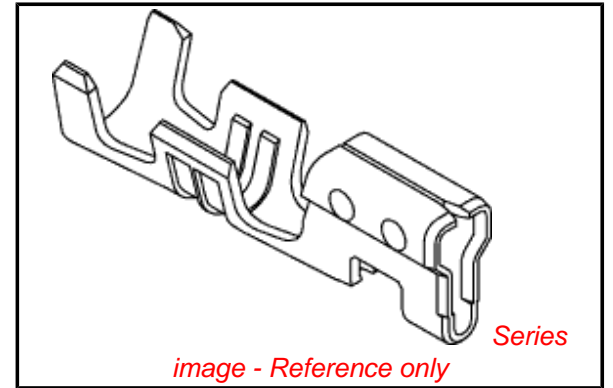
Physical

Gender	Female
Material - Metal	Brass
Material - Plating Mating	Tin
Material - Plating Termination	Tin
Packaging Type	Bag
Plating min: Mating (µin)	35
Plating min: Mating (µm)	0.88
Plating min: Termination (µin)	35
Plating min: Termination (µm)	0.88
Termination Interface: Style	Crimp or Compression
Wire Insulation Diameter	1.15-1.90mm (.045-.075")
Wire Size AWG	22, 24, 26, 28
Wire Size mm²	N/A

Material Info

Reference - Drawing Numbers

Product Specification	PS-51191-002, PS-51191-003, RPS-51191-006, RPS-51191-007
Sales Drawing	SD-50802-002



EU RoHS

**ELV and RoHS
Compliant**
**REACH SVHC
Contains SVHC: No**
**Halogen-Free
Status**

China RoHS



**Need more information on product
environmental compliance?**

Email productcompliance@molex.com
 For a multiple part number RoHS Certificate of
 Compliance, [click here](#)

Please visit the [Contact Us](#) section for any
 non-product compliance questions.

Search Parts in this Series

[50802Series](#)

Mates With

[5241](#)

Use With

[51191](#)

Application Tooling | FAQ

*Tooling specifications and manuals are
 found by selecting the products below.
 Crimp Height Specifications are then
 contained in the Application Tooling
 Specification document.*

Global

Description	Product #
Hand Crimp Tool	0638115200

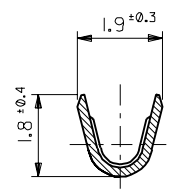
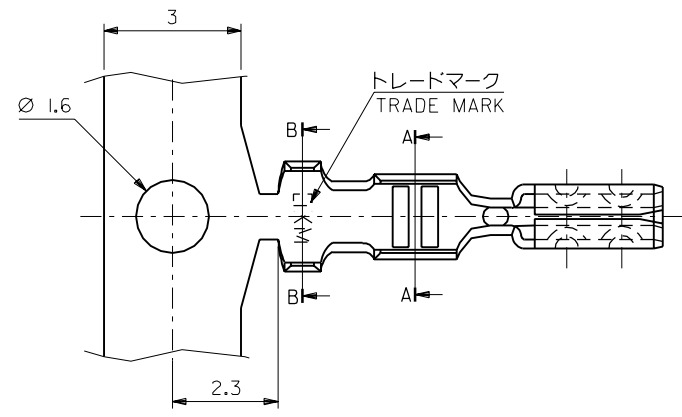
Japan

Description	Product #
Hand Crimp Tool	0011260095
JHTR5907	

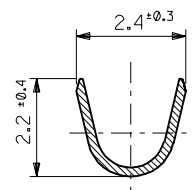
This document was generated on 05/27/2010

PLEASE CHECK WWW.MOLEX.COM FOR LATEST PART INFORMATION

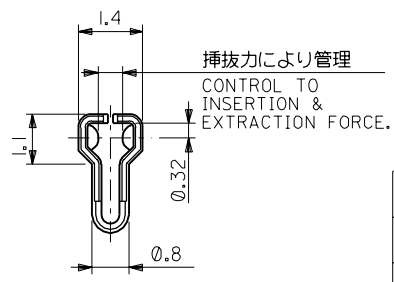
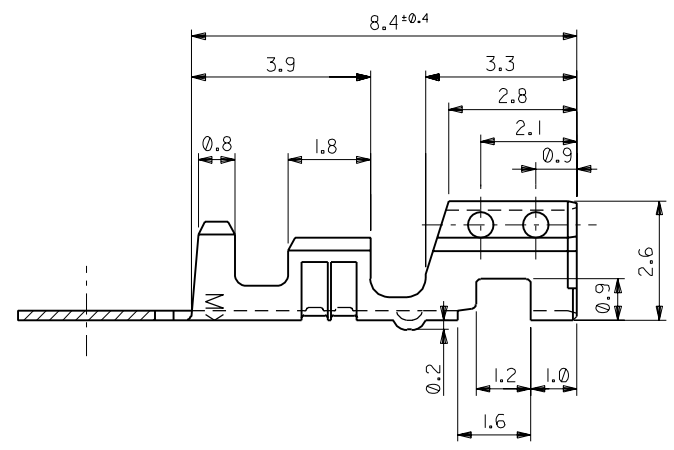
DWG. NO.
SD-50802-002



断面 A-A
SECT. A-A



断面 B-B
SECT. B-B



注記 NOTES:
1. 適合ハウジング:
APPLICABLE HOUSING: 51191-***00

錫メッキ済リン青銅 PRE-TINNED PHOS-BRO.	50802-8100	バラ状 LOOSE
錫メッキ済リン青銅 PRE-TINNED PHOS-BRO.	50802-8000	連鎖状 CHAIN
錫メッキ済黄銅 PRE-TINNED BRASS	50802-9101	バラ状 LOOSE
錫メッキ済黄銅 PRE-TINNED BRASS	50802-9001	連鎖状 CHAIN
材料 MATERIAL	MATERIAL NO.	端子形状 FORM

DO NOT SCALE DRAWING

EG4NO. DRWN: CHK: APPR:	EG3NO. DRWN: CHK: APPR:	EG2NO. DRWN: CHK: APPR:	EG1NO. DRWN: CHK: APPR:	RELEASED EG0NO. JC80766 DRWN: S.MATSUZAKI '98/4/9 CHK: S.KUNISHI '98/4/10 APPR: M.FUKUSHIMA '98/4/10
----------------------------------	----------------------------------	----------------------------------	----------------------------------	--

MATERIAL 材料	表参照 (t=0.203) SEE TABLE
FINISH 仕上り	—
WIRE RANGE 適用線径範囲	AWG #22 ~ #28 0.33 ~ 0.08mm ²
INS. RANGE 被覆外径	φ1.15 ~ 1.9

GENERAL TOLERANCES: (UNLESS SPECIFIED) 一般公差	SCALE
10 UNDER 未満	DESIGN UNITS <input checked="" type="checkbox"/> mm <input type="checkbox"/> INCH
10 OVER 以上	PROJECTION <input type="checkbox"/> mm <input type="checkbox"/> INCH <input checked="" type="checkbox"/> mm ONLY
30 UNDER 未満	ANGLE 角度
30 OVER 以上	

MODEL NO. 50802-****	DIMENSIONS:	SHT	REV
	<input checked="" type="checkbox"/> mm <input type="checkbox"/> INCH		
	<input type="checkbox"/> mm <input type="checkbox"/> INCH		
	<input type="checkbox"/> mm ONLY		
	<input checked="" type="checkbox"/> mm ONLY		
	<input type="checkbox"/> mm ONLY		

DRAWN BY & DATE S.MATSUZAKI '98/4/9	TITLE: 2.5 WIRE TO BOARD CONN. CRIMP RECEPTACLE
CHECKED BY & DATE S.KUNISHI '98/4/10	
APPROVED BY & DATE M.FUKUSHIMA '98/4/10	
CAD FILENAME 50802002.S01	MATERIAL NO. 50802-****
	DRAWING NO. SD-50802-002
	SHEET NO. 1/1
	SIZE B

THIS DRAWING CONTAINS INFORMATION THAT IS PROPRIETARY TO MOLEX INCORPORATED AND SHOULD NOT BE USED WITHOUT WRITTEN PERMISSION.