

PLEASE CHECK WWW.MOLEX.COM FOR LATEST PART INFORMATION

Part Number: [0494642218](#)
Status: **Active**
Description: 2.00mm (0.078") Drawer Connector Assembly, Dual Row, 22 Circuits, Black

Documents:

[Drawing \(PDF\)](#) [RoHS Certificate of Compliance \(PDF\)](#)
[Product Specification PS-49464-001 \(PDF\)](#)

General

Product Family	Accessories
Series	49464
Comments	For Panel Mounting
Component Type	Adapter
Product Name	N/A

Physical

Circuits (Loaded)	22
Color - Resin	Black
Gender	N/A
Lock to Mating Part	No
Material - Metal	Phosphor Bronze
Material - Plating Mating	Gold
Material - Plating Termination	Tin
Material - Resin	Polyester
Number of Rows	2
Packaging Type	Bag
Temperature Range - Operating	-20°C to +105°C

Electrical

Current - Maximum per Contact	2A
-------------------------------	----

Material Info

Reference - Drawing Numbers

Product Specification	PS-49464-001
Sales Drawing	SD-49464-001

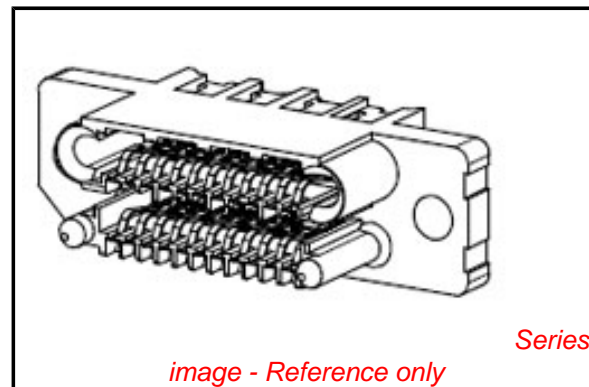


image - Reference only

Series

EU RoHS

**ELV and RoHS
Compliant**
REACH SVHC
 Not Reviewed
**Halogen-Free
Status**

China RoHS

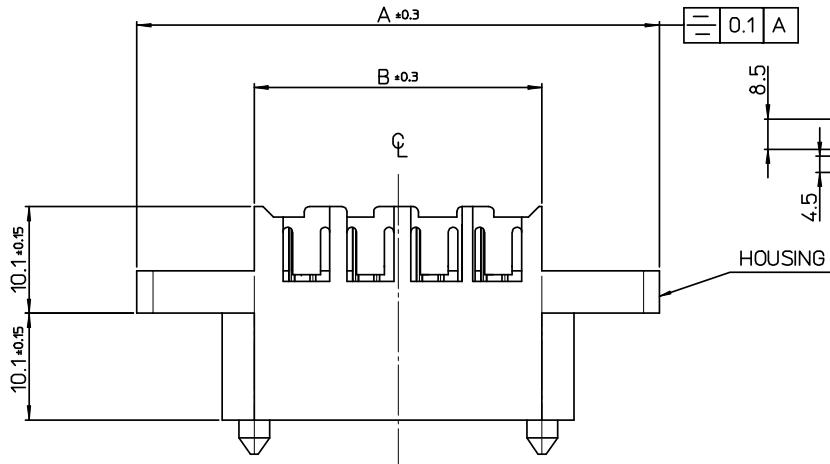


**Need more information on product
environmental compliance?**

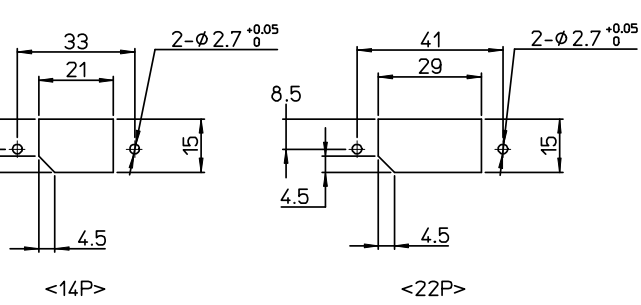
Email productcompliance@molex.com
 For a multiple part number RoHS Certificate of
 Compliance, [click here](#)

Please visit the [Contact Us](#) section for any
 non-product compliance questions.

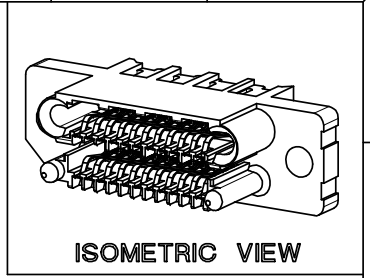
Search Parts in this Series
[49464Series](#)



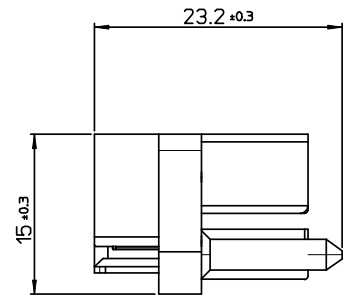
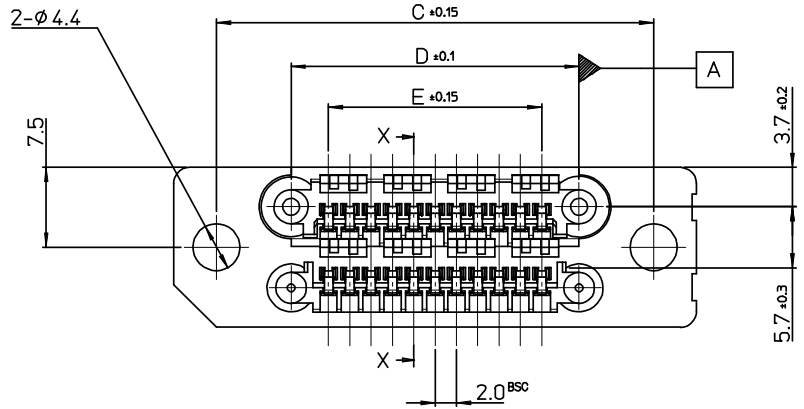
HOUSING



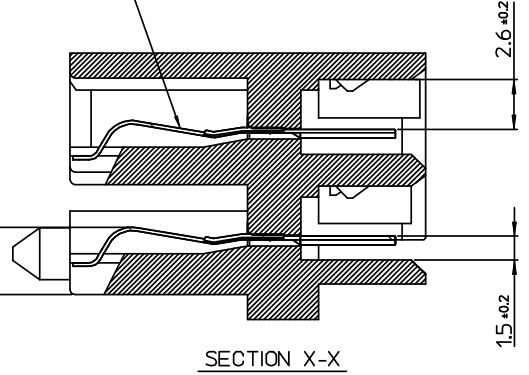
RECOMMENDED PANEL CUTOUT DIMENSIONS ±0.2
CONNECTOR MATING SIDE



ISOMETRIC VIEW



TERMINAL

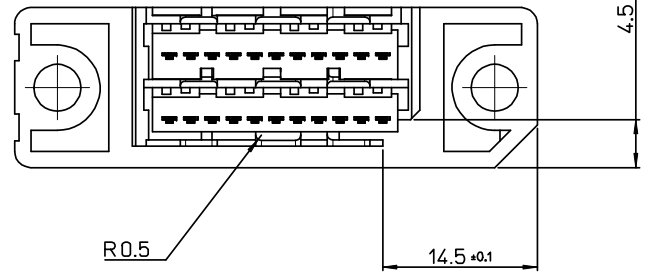


SECTION X-X
(SCALE 25:1)

NOTE

1. MATERIAL
HOUSING PBT, BLACK
TERMINAL : PHOSPHOR BRONZE
2. CAMBER/BOW OF ALL SETIONS TO BE 0.2MAX.
3. TERMINAL COPLANARITY TO BE 0.1MAX.
4. FINISH : SELECTIVE Au 0.1 MICROMETER MIN. OVER Sn 2 MICROMETER MIN. OVER Ni 1-3 MICROMETER.

20	27	41	27	49	494642211	49464-2211	49464-2218	22
12	19	33	19	41	494641411	49464-1411	49464-1418	14
E	D	C	B	A	MATERIAL NO.	ENG. NO.	PACKAGING NO.	CKTS.



NEW RELEASE EC NO: KOR2009-0004 DRWN:HJJEONG 2008/08/25 CHKD:YSOOKIM 2008/08/26 APPR:YUNSIKKIM 2008/08/26	QUALITY SYMBOLS 	GENERAL TOLERANCES (UNLESS SPECIFIED)		DIMENSION STYLE MM ONLY		SCALE 10:1		DESIGN UNITS METRIC		THIRD ANGLE PROJECTION	
		mm INCH		DRAWN BY YRKIM		DATE 2007/01/24		TITLE DRAWER CONNECOTR ASS'Y			
		4 PLACES ± --- ± --- 3 PLACES ± --- ± --- 2 PLACES ± 0.05 ± --- 1 PLACE ± 0.1 ± ---		CHECKED BY YSOOKIM		DATE 2007/01/24		MATERIAL NO. ENG. NO. PACKAGING NO. CKTS.			
		ANGULAR ± 1 °		APPROVED BY YSOOKIM		DATE 2007/01/24		MOLEX INCORPORATED		SHEET NO. 1 OF 1	
DRAFT WHERE APPLICABLE MUST REMAIN WITHIN DIMENSIONS		SEE TABLE		MATERIAL NO.		DOCUMENT NO. SD-49464-001		THIS DRAWING CONTAINS INFORMATION THAT IS PROPRIETARY TO MOLEX INCORPORATED AND SHOULD NOT BE USED WITHOUT WRITTEN PERMISSION			