

PLEASE CHECK WWW.MOLEX.COM FOR LATEST PART INFORMATION

Part Number: [0490210617](#)
Status: **Active**
Description: 2.54mm (.100") Pitch, SIM Card Connector, Dome Type, SMT PCB Top Mounting for GSM Phone, 6 Circuits

Documents:

3D Model	Product Specification PS-49021-001 (PDF)
Packaging Specification (PDF)	RoHS Certificate of Compliance (PDF)
Drawing (PDF)	

General

Product Family	Memory Card Sockets
Series	49021
Button Type	N/A
Component Type	Header/Socket (Host)
Product Name	SIM
Type	N/A
Physical	
Card Detection Switch	N/A
Circuits (Loaded)	6
Circuits (maximum)	6
Color - Resin	Black
Durability (mating cycles max)	10,000
Ejector Button Side	No Ejector Button Present
Entry Angle	Vertical (Top Entry)
Keying to Mating Part	None
Material - Plating Mating	Gold
Material - Plating Termination	Gold
Material - Resin	High Temperature Thermoplastic
PCB Locator	No
PCB Mounting Side	Normal
PCB Retention	None
Packaging Type	Embossed Tape on Reel
Pitch - Mating Interface (in)	0.100 In
Pitch - Mating Interface (mm)	2.54 mm
Pitch - Term. Interface (in)	0.100 In
Pitch - Term. Interface (mm)	2.54 mm
Plating min: Mating (µin)	24
Plating min: Mating (µm)	0.6
Plating min: Termination (µin)	1.2
Plating min: Termination (µm)	0.03
Ports	1
Surface Mount Compatible (SMC)	N/A
Temperature Range - Operating	-40°C to +85°C
Termination Interface: Style	Surface Mount

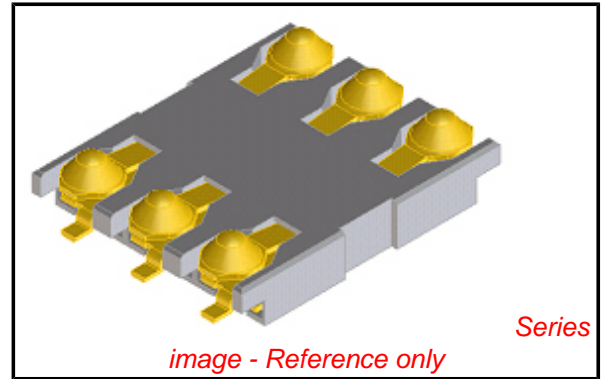
Electrical

Current - Maximum per Contact	0.25A
Shielded	No
Voltage - Maximum	5V AC (RMS)/DC

Material Info

Reference - Drawing Numbers

Packaging Specification	PK-49021-001
Product Specification	PS-49021-001, RPS-49021-001



EU RoHS

ELV and RoHS Compliant

REACH SVHC

Not Reviewed

Halogen-Free

Status

Not Reviewed

Need more information on product environmental compliance?

Email productcompliance@molex.com
 For a multiple part number RoHS Certificate of Compliance, [click here](#)

Please visit the [Contact Us](#) section for any non-product compliance questions.

China RoHS



Search Parts in this Series

[49021Series](#)

Mates With

Industry Standard SIM Card

Use With

SIM Card

This document was generated on 06/07/2010

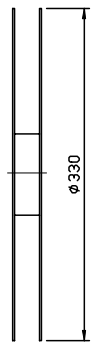
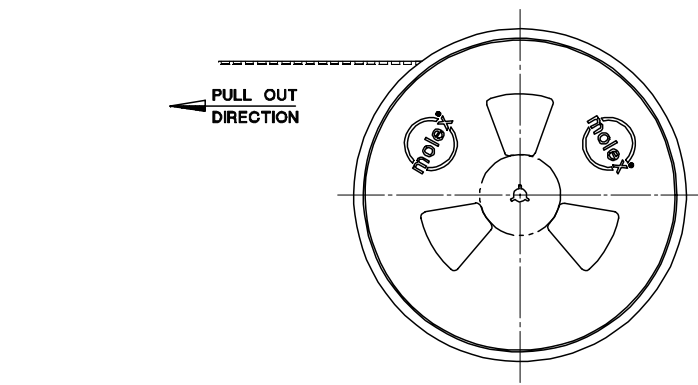
PLEASE CHECK WWW.MOLEX.COM FOR LATEST PART INFORMATION

DO NOT SCALE DRAWING DIMENSION IN METRIC

PROJECT NO. SD-49021-001

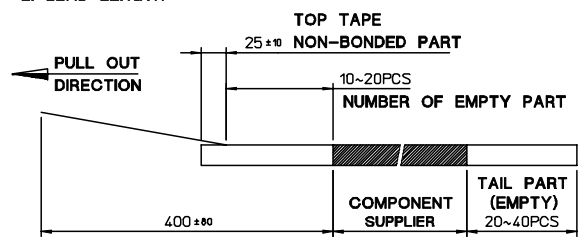
SIMILAR ITEM

DWG. NO. SD-49021-001

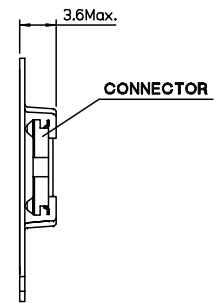
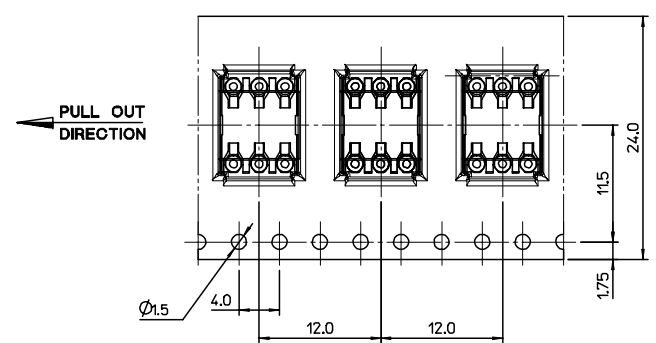
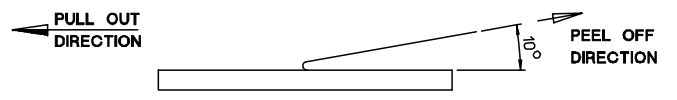


NOTES

- 1. QUANTITY OF CONNECTORS : 1,500PCS/REEL
- 2. LEAD LENGTH



- 3. PEELING OFF FORCE OF COVER TAPE : 0.1N~0.59N(10.2GF~60GF)
(PEELING DIRECTION AS SHOW IN FOLLOW FIG.)
- PEELING OFF SPEED : 300mm/Min.(Ref.)



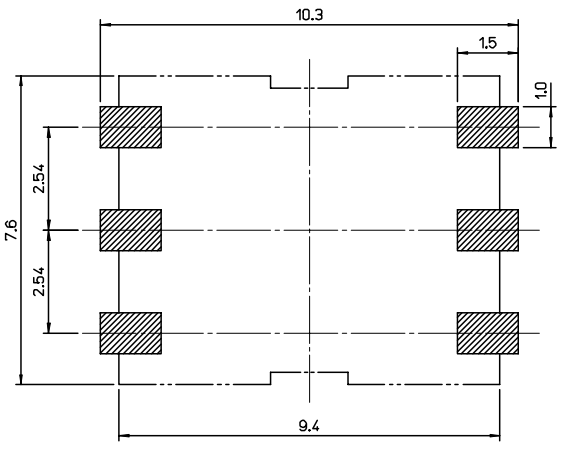
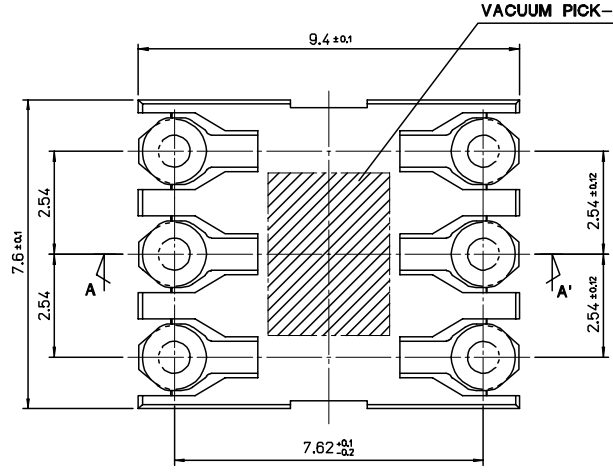
DIRECTION OF CONNECTOR IN EMBOSSED TAPE

35902-0010	35908-0030	35902-1406	49021-0612	490210618	49021-0618	6
35902-0010	35908-0030	35902-1406	49021-0611	490210617	49021-0617	6
COVER TAPE	REEL	EMBOSSD TAPE	CONNECTOR	MATERIAL NO.	ENG. NO.	CKT

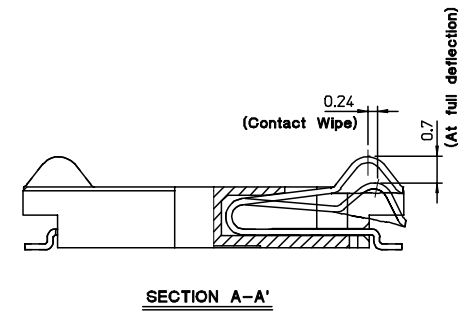
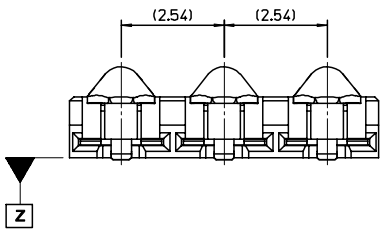
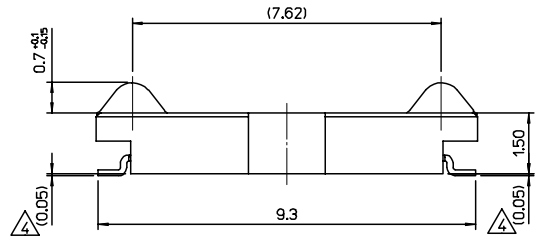
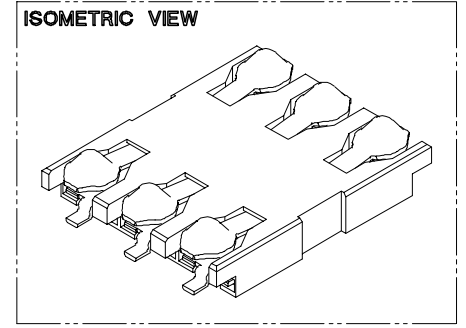
REVISED ECN NO. KOR2007-0018 DRWN: S.H.JOO 2006.08.24 CHK: APPR: S.J.SEH	DESCRIPTION MAJOR CRITICAL C	QUALITY SYMBOLS	GENERAL TOLERANCES: (UNLESS SPECIFIED)		SCALE 2/1	DESIGN UNITS <input checked="" type="checkbox"/> mm <input type="checkbox"/> INCH	THIRD ANGLE PROJECTION <input type="checkbox"/> mm <input checked="" type="checkbox"/> INCH	DIMENSIONS: <input type="checkbox"/> mm <input type="checkbox"/> INCH <input checked="" type="checkbox"/> mm ONLY	SHT	REV
		4 PLACES	±0.	±-	DRAWN BY & DATE S.H.JOO 2003.05.28	TITLE: EMBOSSING TAPE PACKAGE FOR 49021 SERIES				
		3 PLACES	±0.	±-	CHECKED BY & DATE					
		2 PLACES	±0.1	±-	APPROVED BY & DATE S.J.SEH	MOLEX INCORPORATED				
1 PLACE	±0.15	±-	CAD FILENAME	MATERIAL NO. SEE CHART	DRAWING NO. SD-49021-001					
DRAFT WHERE APPLICABLE MUST REMAIN WITHIN DIMENSIONS			THIS DRAWING CONTAINS INFORMATION THAT IS PROPRIETARY TO MOLEX INCORPORATED AND SHOULD NOT BE USED WITHOUT WRITTEN PERMISSION.							SIZE B

DWG. NO. SD-49021-002
 SIMILAR ITEM
 PROJECT NO.
 DO NOT SCALE DRAWING DIMENSION IN METRIC

8 7 6 5 4 3 2 1



RECOMMEND PCB LAYOUT
 GENERAL TOLERANCE $\Delta f 0.05$



NOTES

- MATERIAL**
 HOUSING : THERMOPLASTIC, GLASS FILLED, UL94V-0,
 COLOR : BLACK
 CONTACT TER'L : COPPER ALLOY
 - FINISH**
 Au 0.6um MIN. IN CONTACT AREA,
 Au 0.03 MICROMETER(1.2 MICROINCH) MIN. IN SOLDER TAIL AREA
 (or OVERALL) OVER Ni 2.54 MICROMETER(1.2 MICROINCH) MIN. OVERALL
 - MISALIGNMENT OF SOLDER TAIL FROM "Z"**
 UPPER DIRECTION 0.05 MAX., LOWER DIRECTION 0.1MAX.
- ▲ COPLANARITY TO BE 0.1MAX.

490210612	49021-0612	SEMI-BRIGHT									
490210611	49021-0611	BRIGHT									
EDP NUMBER	ENG. NUMBER	AU PLATING									
REVISED ECN NO. KOR2007-0016 DRWN: S.H.JOO 2006.08.24 CHK: S.J.SEH APPR: S.J.SEH	DESCRIPTION MAJOR CRITICAL C	QUALITY SYMBOLS	GENERAL TOLERANCES: (UNLESS SPECIFIED)		SCALE	DESIGN UNITS	THIRD ANGLE PROJECTION	DIMENSIONS:		SHT	REV
		4 PLACES	±0.	±.	8/1	<input checked="" type="checkbox"/> mm <input type="checkbox"/> INCH	<input type="checkbox"/> mm <input type="checkbox"/> INCH	<input type="checkbox"/> mm <input type="checkbox"/> INCH	<input checked="" type="checkbox"/> mm ONLY	REVISE ON CAD ONLY	
		3 PLACES	±0.	±.	DRAWN BY & DATE	TITLE:		SIM CARD CONNECTOR-6P (DOME TYPE)			
		2 PLACES	±0.1	±.	S.H.JOO 2003.05.22	MOLEX INCORPORATED					
		1 PLACE	±0.15	±.	CHECKED BY & DATE	APPROVED BY & DATE		MATERIAL NO.		DRAWING NO.	SHEET NO.
ANGULAR: ± 1°		CAD FILENAME		SEE CHART		SD-49021-002		1 OF 1		SIZE B	

DRAFT WHERE APPLICABLE MUST REMAIN WITHIN DIMENSIONS

THIS DRAWING CONTAINS INFORMATION THAT IS PROPRIETARY TO MOLEX INCORPORATED AND SHOULD NOT BE USED WITHOUT WRITTEN PERMISSION.

8 7 6 5 4 3 2 1 KOREA MX-A3