

PLEASE CHECK WWW.MOLEX.COM FOR LATEST PART INFORMATION

Part Number: [0472660201](#)

Status: **Active**

Overview: high definition multimedia interface hdmi

Description: 0.50mm (.020") Pitch HDMI* Receptacle, Right Angle, Black, Through Hole Shell Tab Length 1.90mm (.075"), Gold (Au) Flash, Matt Tin Plated Shell, with Flange, Tray Package, Lead Free

Documents:

[3D Model](#)

[Product Specification PS-47152-001 \(PDF\)](#)

[Drawing \(PDF\)](#)

[RoHS Certificate of Compliance \(PDF\)](#)

General

Product Family	I/O Connectors
Series	47266
Application	Wire-to-Board
Comments	With Upper Flange
Component Type	Receptacle
Overview	<u>high definition multimedia interface hdmi</u>
Product Name	HDMI
Type	N/A

Physical

Boot Color	N/A
Circuits (Loaded)	19
Circuits (maximum)	19
Color - Resin	Black
Gender	Male
Keying to Mating Part	Yes
Lock to Mating Part	Yes
Material - Metal	Copper Alloy
Material - Plating Mating	Gold
Material - Plating Termination	Tin-Bismuth
Material - Resin	High Temperature Thermoplastic
Number of Rows	2
Orientation	Right Angle
PCB Locator	No
PCB Retention	Yes
Packaging Type	Tray
Panel Mount	Yes
Pitch - Mating Interface (in)	0.020 In
Pitch - Mating Interface (mm)	0.50 mm
Pitch - Term. Interface (in)	0.020 In
Pitch - Term. Interface (mm)	0.50 mm
Plating min: Mating (µin)	2
Plating min: Mating (µm)	0.05
Plating min: Termination (µin)	40
Plating min: Termination (µm)	1
Polarized to Mating Part	Yes
Polarized to PCB	Yes
Ports	1
Temperature Range - Operating	-20°C to +85°C
Termination Interface: Style	Surface Mount
Waterproof / Dustproof	No
Wire Size AWG	N/A

Electrical

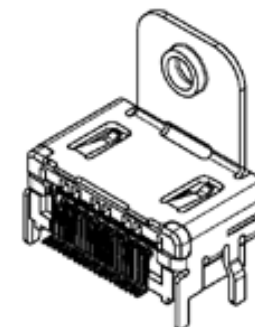


image - Reference only

Series

EU RoHS

ELV and RoHS Compliant

REACH SVHC

Not Reviewed

Halogen-Free

Status

Not Reviewed

China RoHS



Need more information on product environmental compliance?

Email productcompliance@molex.com
For a multiple part number RoHS Certificate of Compliance, [click here](#)

Please visit the [Contact Us](#) section for any non-product compliance questions.

Search Parts in this Series

[47266Series](#)

Mates With

[88768](#) HDMI cable assembly, [88764](#) HDMI Adapter, [88767](#) HDMI Adapter

Current - Maximum per Contact	0.5A
Shield Type	Full Shield
Shielded	Yes
Voltage - Maximum	40V DC

Material Info

Reference - Drawing Numbers

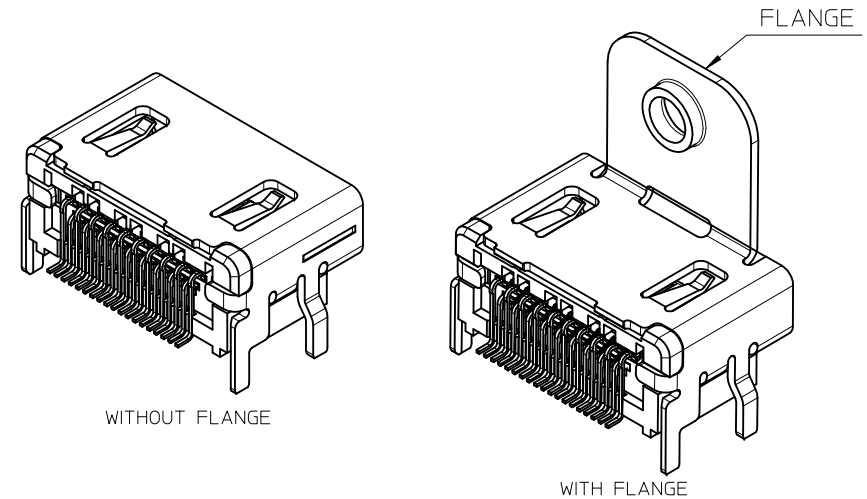
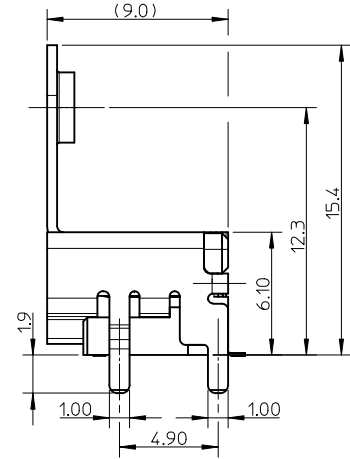
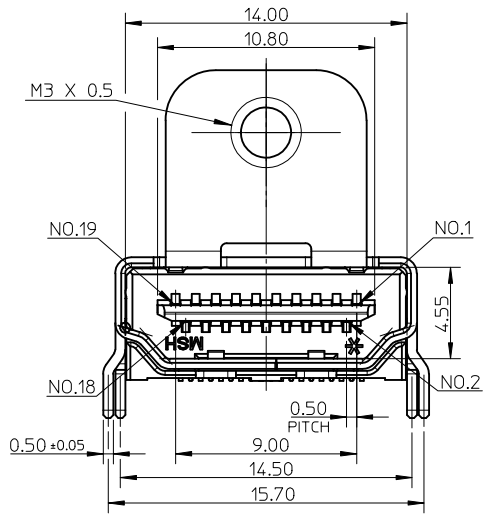
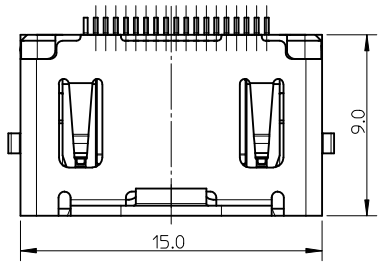
Packaging Specification	PK-47266-005
Product Specification	PS-47152-001
Sales Drawing	SD-47266-001

* High Definition Multimedia Interface and HDMI are trademarks of HDMI Licensing, LLC.

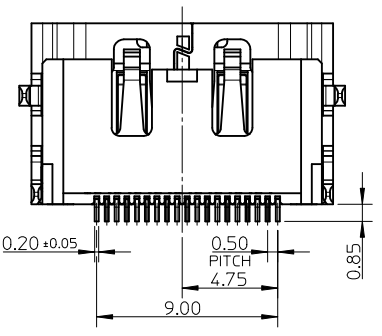
This document was generated on 05/19/2010

PLEASE CHECK WWW.MOLEX.COM FOR LATEST PART INFORMATION

10 9 8 7 6 5 4 3 2 1



- NOTES:
- MATERIAL:
HOUSING: HIGH TEMPERATURE THERMAL PLASTIC. COLOR: SEE TABLE.
SHELL: COPPER ALLOY.
TERMINAL: COPPER ALLOY.
 - PLATING:
TERMINAL:
CONTACT AREA: (1) 0.76 MICROMETER MIN. GOLD PLATING.
(2) 0.25 MICROMETER MIN. GOLD PLATING.
(3) GOLD FLASH.
SOLDER AREA: 1 MICROMETER MIN. TIN-BISMUTH ALLOY PLATING.
UNDER PLATE: 1.27 MICROMETER MIN. NICKEL PLATING.
SHELL: (1) 1.27 MICROMETER MIN. MATTE TIN PLATING OVERALL.
(2) 0.75 MICROMETER MIN. SOLDERABLE NICKEL PLATING OVERALL.
 - TERMINAL RETENTION FORCE TO BE 0.3kgf Min.
 - PRODUCT SPECIFICATION: PS-47152-001.
 - PACKAGE SPECIFICATION: SEE TABLE.
 - COPLANARITY OF ALL TERMINALS IS 0.10mm MAX.
 - PRODUCT COMPLIANT TO RoHS DIRECTIVE 2002/95/EC AND ELV DIRECTIVE 2000/53/EC.



REVISED EC NO: SH2010-0165 DRWN:XOZHANG 2009/11/03 CHKD:GLLI 2009/11/03 APPR:XJSONG 2010/01/28	QUALITY SYMBOLS	GENERAL TOLERANCES (UNLESS SPECIFIED)		DIMENSION STYLE MM ONLY		SCALE 4:1	DESIGN UNITS METRIC	THIRD ANGLE PROJECTION
	$\nabla_F=0$	m.m	INCH	DRAWN BY ROST ZHANG	DATE 2005/05/20	TITLE HDMI RECEPTACLE W/SCREW R/A SMT CUSTOMER DRAWING		
	$\nabla_F=0$	4 PLACES ± --- ± ---	3 PLACES ± --- ± ---	CHECKED BY GRATE MA	DATE 2005/05/20	MOLEX MOLEX INCORPORATED		
	$\nabla_F=0$	2 PLACES ± 0.20 ± ---	1 PLACE ± 0.30 ± ---	APPROVED BY XJSONG	DATE 2010/01/26	DOCUMENT NO. SD-47266-001	SHEET NO. 1 OF 2	
		ANGULAR ± 2 °		MATERIAL NO. SEE SHEET 2		THIS DRAWING CONTAINS INFORMATION THAT IS PROPRIETARY TO MOLEX INCORPORATED AND SHOULD NOT BE USED WITHOUT WRITTEN PERMISSION		
		DRAFT WHERE APPLICABLE MUST REMAIN WITHIN DIMENSIONS						

9 8 7 6 5 4 3 2 1

