

**PLEASE CHECK WWW.MOLEX.COM FOR LATEST PART INFORMATION**

**Part Number:** [0395372002](#)  
**Status:** **Active**  
**Description:** 5.08mm (.200") Pitch Eurostyle™ Vertical Plug, with Retention Screws, Rear Wire Entry, 2 Circuits

**Documents:**

[Drawing \(PDF\)](#) [RoHS Certificate of Compliance \(PDF\)](#)

**General**

|                             |                           |
|-----------------------------|---------------------------|
| Product Family              | Terminal Blocks           |
| Series                      | <a href="#">39537</a>     |
| Application                 | Wire-to-Board             |
| Comments                    | Rear Wire Entry           |
| Component Type              | Plug                      |
| Product Literature Order No | USA-355                   |
| Product Name                | ESE, Eurostyle™ Pluggable |
| Type                        | Euro Block                |

**Physical**

|                               |                                |
|-------------------------------|--------------------------------|
| Circuits (Loaded)             | 2                              |
| Entry Angle                   | Horizontal                     |
| Lock to Mating Part           | Yes                            |
| Number of Rows                | 1                              |
| Orientation                   | Vertical                       |
| PC Tail Length (in)           | 0.200 In                       |
| PC Tail Length (mm)           | 5.08 mm                        |
| Panel Mount                   | No                             |
| Pitch - Mating Interface (in) | 0.200 In                       |
| Pitch - Mating Interface (mm) | 5.08 mm                        |
| Polarized to Mating Part      | Yes                            |
| Stackable                     | No                             |
| Temperature Range - Operating | -40°C to +105°C                |
| Wire Size AWG                 | 12, 14, 16, 18, 20, 22, 24, 26 |
| Wire Size mm²                 | 0.13 - 3.31                    |

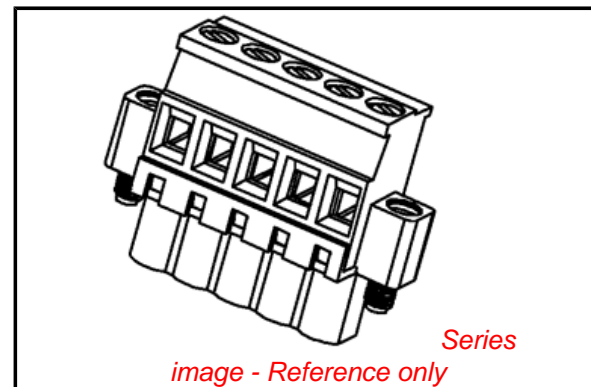
**Electrical**

|                               |      |
|-------------------------------|------|
| Current - Maximum per Contact | 10A  |
| Voltage - Maximum             | 300V |

**Material Info**

**Reference - Drawing Numbers**

|               |              |
|---------------|--------------|
| Sales Drawing | SD-39537-002 |
|---------------|--------------|



**EU RoHS**

**ELV and RoHS Compliant**  
**REACH SVHC**  
 Not Reviewed  
**Halogen-Free Status**  
 Not Reviewed

**China RoHS**



**Need more information on product environmental compliance?**

Email [productcompliance@molex.com](mailto:productcompliance@molex.com)  
 For a multiple part number RoHS Certificate of Compliance, [click here](#)

Please visit the [Contact Us](#) section for any non-product compliance questions.

**Search Parts in this Series**

[39537Series](#)

**Mates With**

Most 5.08mm (.200") Pitch Industry Standard PCB Headers, [39535](#) Vertical PCB Header with Threaded Retention Inserts, [39536](#) Horizontal PCB Header with Threaded Retention Inserts

10 9 8 7 6 5 4 3 2 1

F

E

D

C

B

A

F

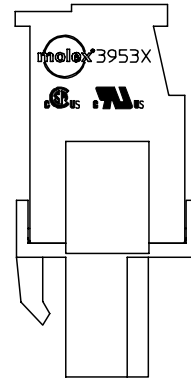
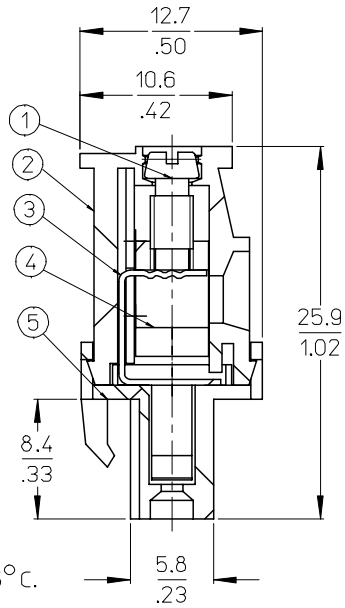
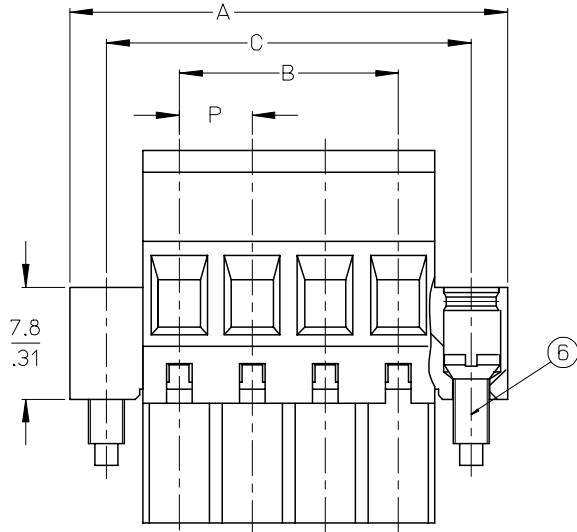
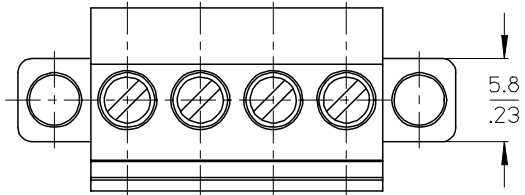
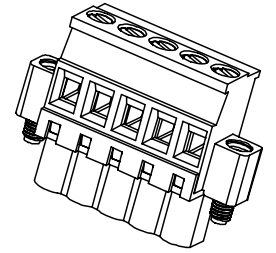
E

D

C

B

A



**SPECIFICATIONS**

**1. Material:**

- (1). Screw: Steel
- (2). Body: PA66
- (3). Terminal: Phosphor Bronze
- (4). Cage: Brass
- (5). Cover: PA66
- (6). Screw: Steel

- 2. Wire range: 12 - 26AWG
- 3. Electrical rating: 300V, 10A.
- 4. Wire stip length: 5.0mm.
- 5. Operating temperature: -40°C to +105°C.
- 6. Max torque: 3 in.-lbs.
- 7. Insulation resistance: DC 500V, 500 Megohms.
- 8. Dielectric withstand: AC 2500V for 1 minute
- 9. Breakdown voltage: 4000V
- 10. Contact resistance: <10 milliohms
- 11. DIM. A = ( N + 2)X P
- 12. DIM. B = ( N - 1)X P
- 13. DIM. C = ( N + 1)X P
- 14. DIM. P (PITCH) = 5.08mm (.200")
- 15. N = Number of positions available 2 through 24.
- 16. ALL COMPONENTS ARE ROHS COMPLIANT.

|   |                               |  |                         |                       |                     |  |                        |   |  |
|---|-------------------------------|--|-------------------------|-----------------------|---------------------|--|------------------------|---|--|
| RELEASE TO PROD<br>EC NO: ETC2006-0308<br>DRWN: C YORK 2006/03/23<br>CHKD: R DEROSS 2006/03/24<br>APPR: R DEROSS 2006/03/24 | QUALITY SYMBOLS<br>▽=0<br>▽=0 | GENERAL TOLERANCES (UNLESS SPECIFIED)                      |                         | DIMENSION STYLE       | SCALE               | DESIGN UNITS   | THIRD ANGLE PROJECTION |   |  |
|   |                               |  |                         | MM/IN                 | 3:1                 | INCH   |                        |   |  |
|   |                               | 4 PLACES ± --- ± .0015                                     | 3 PLACES ± 0.038 ± .005 | 2 PLACES ± 0.13 ± .01 | 1 PLACE ± 0.3 ± --- | DRAWN BY   | DATE                   | TITLE   |  |
|   |                               | ANGULAR ± 2 °  |                         |                       |                     | C. YORK  | 2006/03/16             | 5.08MM, EURO PLUG,<br>VERTICAL FRONT WIRE<br>ENTRY WITH MOUNTING ENDS |  |
|   |                               | DRAFT WHERE APPLICABLE<br>MUST REMAIN<br>WITHIN DIMENSIONS |                         | CHECKED BY            | DATE                | MOLEX INCORPORATED   |                        |   |  |
|   |                               |  |                         | R. DEROSS             | 2006/03/16          | SD-39537-002   |                        |   |  |
|   |                               |  |                         | APPROVED BY           | DATE                | SHEET NO.  |                        |   |  |
|   |                               |  |                         | R. DEROSS             | 2006/03/16          | 1 OF 2   |                        |   |  |
|   |                               |  |                         | MATERIAL NO.          | DOCUMENT NO.        | THIS DRAWING CONTAINS INFORMATION THAT IS PROPRIETARY TO MOLEX<br>INCORPORATED AND SHOULD NOT BE USED WITHOUT WRITTEN PERMISSION |                        |   |  |
|   |                               |  |                         | SEE SHT. 2            |                     |  |                        |   |  |

9 8 7 6 5 4 3 2 1

| Description                                    | Circuit size | Material Numbers |           |           |                  |           |           |                  |           |           |                  |           |           | Dimensional Information |      |       |      |       |      |
|--|--------------|------------------|-----------|-----------|------------------|-----------|-----------|------------------|-----------|-----------|------------------|-----------|-----------|-------------------------|------|-------|------|-------|------|
|  |              | Black            |           |           |                  |           |           | Green            |           |           |                  |           |           | Dim A                   |      | Dim B |      | Dim C |      |
|  |              | 100% Tin         |           |           | 30 u" Gold       |           |           | 100% Tin         |           |           | 30 u" Gold       |           |           | mm                      | inch | mm    | inch | mm    | inch |
|  |              | Printing Options |           | None      | Printing Options |           | None      | Printing Options |           | None      | Printing Options |           | None      |                         |      |       |      |       |      |
| 5.08mm, Euro Plug, Vertical FWE, Mounting Ends | 2            | 395372002        | 395372302 | 395372402 | 395372502        | 395372802 | 395372902 | 395377002        | 395377302 | 395377402 | 395377502        | 395377802 | 395377902 | 20.3                    | 0.80 | 5.1   | 0.20 | 15.2  | 0.60 |
| 5.08mm, Euro Plug, Vertical FWE, Mounting Ends | 3            | 395372003        | 395372303 | 395372403 | 395372503        | 395372803 | 395372903 | 395377003        | 395377303 | 395377403 | 395377503        | 395377803 | 395377903 | 25.4                    | 1.00 | 10.2  | 0.40 | 20.3  | 0.80 |
| 5.08mm, Euro Plug, Vertical FWE, Mounting Ends | 4            | 395372004        | 395372304 | 395372404 | 395372504        | 395372804 | 395372904 | 395377004        | 395377304 | 395377404 | 395377504        | 395377804 | 395377904 | 30.5                    | 1.20 | 15.2  | 0.60 | 25.4  | 1.00 |
| 5.08mm, Euro Plug, Vertical FWE, Mounting Ends | 5            | 395372005        | 395372305 | 395372405 | 395372505        | 395372805 | 395372905 | 395377005        | 395377305 | 395377405 | 395377505        | 395377805 | 395377905 | 35.6                    | 1.40 | 20.3  | 0.80 | 30.5  | 1.20 |
| 5.08mm, Euro Plug, Vertical FWE, Mounting Ends | 6            | 395372006        | 395372306 | 395372406 | 395372506        | 395372806 | 395372906 | 395377006        | 395377306 | 395377406 | 395377506        | 395377806 | 395377906 | 40.6                    | 1.60 | 25.4  | 1.00 | 35.6  | 1.40 |
| 5.08mm, Euro Plug, Vertical FWE, Mounting Ends | 7            | 395372007        | 395372307 | 395372407 | 395372507        | 395372807 | 395372907 | 395377007        | 395377307 | 395377407 | 395377507        | 395377807 | 395377907 | 45.7                    | 1.80 | 30.5  | 1.20 | 40.6  | 1.60 |
| 5.08mm, Euro Plug, Vertical FWE, Mounting Ends | 8            | 395372008        | 395372308 | 395372408 | 395372508        | 395372808 | 395372908 | 395377008        | 395377308 | 395377408 | 395377508        | 395377808 | 395377908 | 50.8                    | 2.00 | 35.6  | 1.40 | 45.7  | 1.80 |
| 5.08mm, Euro Plug, Vertical FWE, Mounting Ends | 9            | 395372009        | 395372309 | 395372409 | 395372509        | 395372809 | 395372909 | 395377009        | 395377309 | 395377409 | 395377509        | 395377809 | 395377909 | 55.9                    | 2.20 | 40.6  | 1.60 | 50.8  | 2.00 |
| 5.08mm, Euro Plug, Vertical FWE, Mounting Ends | 10           | 395372010        | 395372310 | 395372410 | 395372510        | 395372810 | 395372910 | 395377010        | 395377310 | 395377410 | 395377510        | 395377810 | 395377910 | 61.0                    | 2.40 | 45.7  | 1.80 | 55.9  | 2.20 |
| 5.08mm, Euro Plug, Vertical FWE, Mounting Ends | 11           | 395372011        | 395372311 | 395372411 | 395372511        | 395372811 | 395372911 | 395377011        | 395377311 | 395377411 | 395377511        | 395377811 | 395377911 | 66.0                    | 2.60 | 50.8  | 2.00 | 61.0  | 2.40 |
| 5.08mm, Euro Plug, Vertical FWE, Mounting Ends | 12           | 395372012        | 395372312 | 395372412 | 395372512        | 395372812 | 395372912 | 395377012        | 395377312 | 395377412 | 395377512        | 395377812 | 395377912 | 71.1                    | 2.80 | 55.9  | 2.20 | 66.0  | 2.60 |
| 5.08mm, Euro Plug, Vertical FWE, Mounting Ends | 13           | 395372013        | 395372313 | 395372413 | 395372513        | 395372813 | 395372913 | 395377013        | 395377313 | 395377413 | 395377513        | 395377813 | 395377913 | 76.2                    | 3.00 | 61.0  | 2.40 | 71.1  | 2.80 |
| 5.08mm, Euro Plug, Vertical FWE, Mounting Ends | 14           | 395372014        | 395372314 | 395372414 | 395372514        | 395372814 | 395372914 | 395377014        | 395377314 | 395377414 | 395377514        | 395377814 | 395377914 | 81.3                    | 3.20 | 66.0  | 2.60 | 76.2  | 3.00 |
| 5.08mm, Euro Plug, Vertical FWE, Mounting Ends | 15           | 395372015        | 395372315 | 395372415 | 395372515        | 395372815 | 395372915 | 395377015        | 395377315 | 395377415 | 395377515        | 395377815 | 395377915 | 86.4                    | 3.40 | 71.1  | 2.80 | 81.3  | 3.20 |
| 5.08mm, Euro Plug, Vertical FWE, Mounting Ends | 16           | 395372016        | 395372316 | 395372416 | 395372516        | 395372816 | 395372916 | 395377016        | 395377316 | 395377416 | 395377516        | 395377816 | 395377916 | 91.4                    | 3.60 | 76.2  | 3.00 | 86.4  | 3.40 |
| 5.08mm, Euro Plug, Vertical FWE, Mounting Ends | 17           | 395372017        | 395372317 | 395372417 | 395372517        | 395372817 | 395372917 | 395377017        | 395377317 | 395377417 | 395377517        | 395377817 | 395377917 | 96.5                    | 3.80 | 81.3  | 3.20 | 91.4  | 3.60 |
| 5.08mm, Euro Plug, Vertical FWE, Mounting Ends | 18           | 395372018        | 395372318 | 395372418 | 395372518        | 395372818 | 395372918 | 395377018        | 395377318 | 395377418 | 395377518        | 395377818 | 395377918 | 101.6                   | 4.00 | 86.4  | 3.40 | 96.5  | 3.80 |
| 5.08mm, Euro Plug, Vertical FWE, Mounting Ends | 19           | 395372019        | 395372319 | 395372419 | 395372519        | 395372819 | 395372919 | 395377019        | 395377319 | 395377419 | 395377519        | 395377819 | 395377919 | 106.7                   | 4.20 | 91.4  | 3.60 | 101.6 | 4.00 |
| 5.08mm, Euro Plug, Vertical FWE, Mounting Ends | 20           | 395372020        | 395372320 | 395372420 | 395372520        | 395372820 | 395372920 | 395377020        | 395377320 | 395377420 | 395377520        | 395377820 | 395377920 | 111.8                   | 4.40 | 96.5  | 3.80 | 106.7 | 4.20 |
| 5.08mm, Euro Plug, Vertical FWE, Mounting Ends | 21           | 395372021        | 395372321 | 395372421 | 395372521        | 395372821 | 395372921 | 395377021        | 395377321 | 395377421 | 395377521        | 395377821 | 395377921 | 116.8                   | 4.60 | 101.6 | 4.00 | 111.8 | 4.40 |
| 5.08mm, Euro Plug, Vertical FWE, Mounting Ends | 22           | 395372022        | 395372322 | 395372422 | 395372522        | 395372822 | 395372922 | 395377022        | 395377322 | 395377422 | 395377522        | 395377822 | 395377922 | 121.9                   | 4.80 | 106.7 | 4.20 | 116.8 | 4.60 |
| 5.08mm, Euro Plug, Vertical FWE, Mounting Ends | 23           | 395372023        | 395372323 | 395372423 | 395372523        | 395372823 | 395372923 | 395377023        | 395377323 | 395377423 | 395377523        | 395377823 | 395377923 | 127.0                   | 5.00 | 111.8 | 4.40 | 121.9 | 4.80 |
| 5.08mm, Euro Plug, Vertical FWE, Mounting Ends | 24           | 395372024        | 395372324 | 395372424 | 395372524        | 395372824 | 395372924 | 395377024        | 395377324 | 395377424 | 395377524        | 395377824 | 395377924 | 132.1                   | 5.20 | 116.8 | 4.60 | 127.0 | 5.00 |

|  |   |  |   |  |                   |
|--|---|--|---|--|-------------------|
| SEE SHEET 1<br>EC NO: ETC2006-0308<br>DRWN: C. YORK 2006/03/16<br>CHKD: R. DEROSS 2006/03/16<br>APPR: R. DEROSS 2006/03/16 | QUALITY SYMBOLS<br>▽=0<br>▽=0                           | GENERAL TOLERANCES (UNLESS SPECIFIED)<br>mm INCH<br>4 PLACES ± --- ±.0015<br>3 PLACES ±0.038 ±.005<br>2 PLACES ±0.13 ±.01<br>1 PLACE ±0.3 ± ---<br>ANGULAR ± 2 ° | DIMENSION STYLE<br>MM/IN<br>DRAWN BY C. YORK DATE 2006/03/16<br>CHECKED BY R. DEROSS DATE 2006/03/16<br>APPROVED BY R. DEROSS DATE 2006/03/16 | SCALE 3:1<br>DESIGN UNITS INCH<br>THIRD ANGLE PROJECTION |                   |
|  | DRAFT WHERE APPLICABLE<br>MUST REMAIN WITHIN DIMENSIONS | MATERIAL NO. SEE CHART<br>SIZE B THIS DRAWING CONTAINS INFORMATION THAT IS PROPRIETARY TO MOLEX INCORPORATED AND SHOULD NOT BE USED WITHOUT WRITTEN PERMISSION   | TITLE 5.08MM, EURO PLUG, VERTICAL FRONT WIRE ENTRY WITH MOUNTING ENDS<br>MOLEX MOLEX INCORPORATED   | SHEET NO. 2 OF 2   |                   |
|  | DIMENSION STYLE MM/IN                                   |  | SCALE 3:1   |  | DESIGN UNITS INCH |
|  | DIMENSION STYLE MM/IN                                   |  | SCALE 3:1   |  | DESIGN UNITS INCH |