

**PLEASE CHECK WWW.MOLEX.COM FOR LATEST PART INFORMATION**

**Part Number:** [0191210051](#)  
**Status:** **Active**  
**Description:** InsulKrimp™ Flanged Spade Tongue Terminal for 10-12 AWG Wire, Stud Size 6, Width 9.53mm (.375")

**Documents:**

[Drawing \(PDF\)](#) [RoHS Certificate of Compliance \(PDF\)](#)  
[Product Specification PS-19902-009 \(PDF\)](#)

**Agency Certification**

CSA LR18689  
 UL E32244

**General**

Product Family Ring and Spade Terminals  
 Series [19121](#)  
 Crimp Quality Equipment Yes  
 Mil-Spec N/A  
 Product Name InsulKrimp™  
 Type Spade

**Physical**

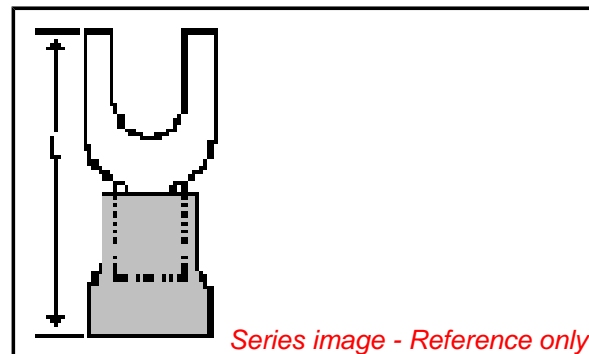
Barrel Type Closed  
 Color - Resin Natural  
 Flammability 94V-2  
 Insulation PVC  
 Material - Plating Mating Tin  
 Packaging Type Bag  
 Plating min: Mating (µin) 160  
 Plating min: Mating (µm) 4  
 Plating min: Termination (µin) 160  
 Plating min: Termination (µm) 4  
 Stud Size 6 (M3.5)  
 Wire Insulation Diameter 6.35mm (.250")  
 Wire Size AWG 10, 12  
 Wire Size mm² 4.00 - 6.00

**Material Info**

Old Part Number C-217-06X

**Reference - Drawing Numbers**

Product Specification PS-19902-009  
 Sales Drawing SD-19121-001



**EU RoHS**

**ELV and RoHS Compliant**  
**REACH SVHC**  
 Not Reviewed  
**Halogen-Free Status**  
**Not Reviewed**

**China RoHS**



**Need more information on product environmental compliance?**

Email [productcompliance@molex.com](mailto:productcompliance@molex.com)  
 For a multiple part number RoHS Certificate of Compliance, [click here](#)

Please visit the [Contact Us](#) section for any non-product compliance questions.

**Search Parts in this Series**

[19121Series](#)

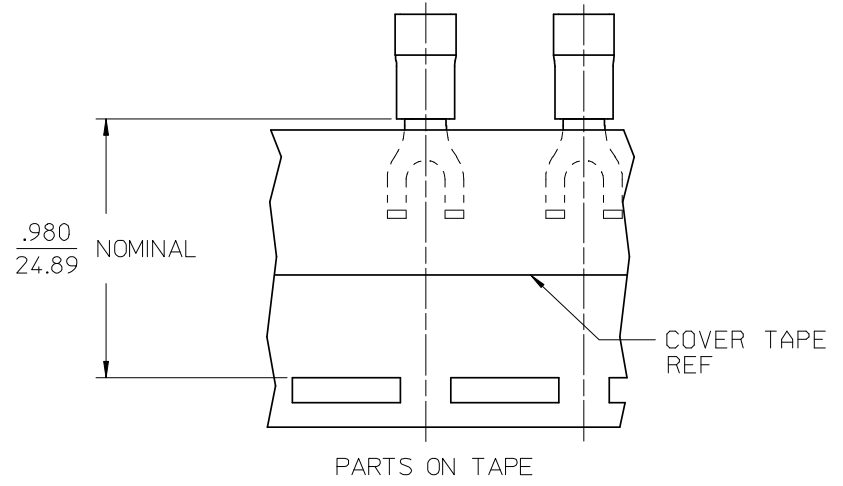
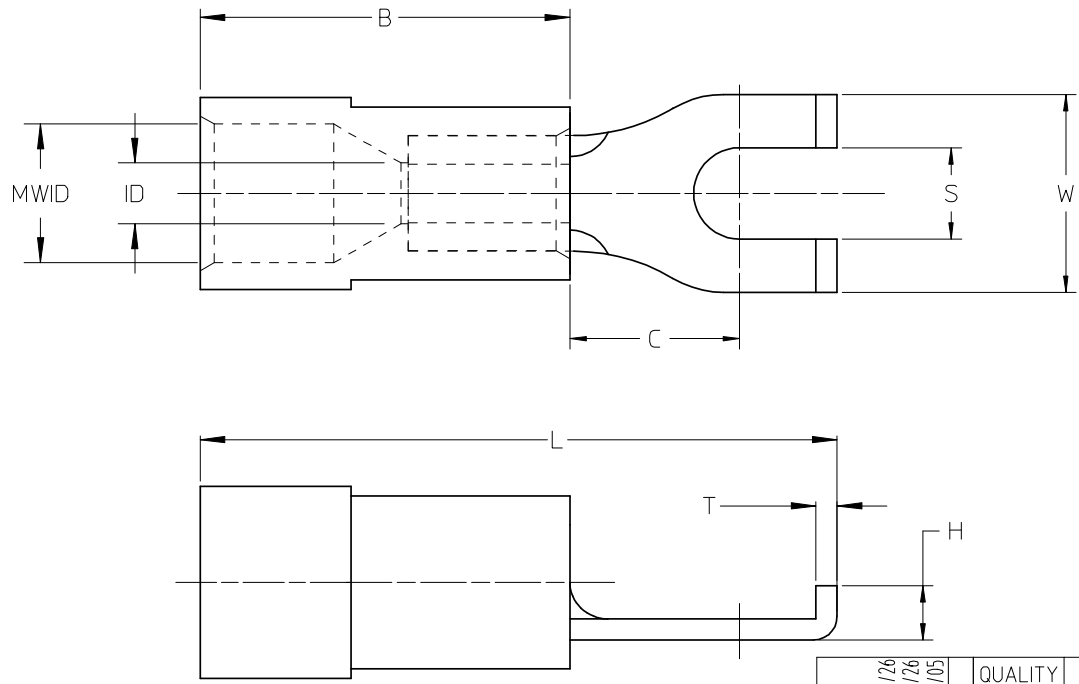
**Application Tooling | [FAQ](#)**

*Tooling specifications and manuals are found by selecting the products below. Crimp Height Specifications are then contained in the Application Tooling Specification document.*

**Global**

| Description                                    | Product #                  |
|--|----------------------------|
| Hand Crimp Tool                                | <a href="#">0640010100</a> |
| Hand Crimp Tool                                | <a href="#">0640010300</a> |
| Crimp Head for the AT-200™ Pneumatic Hand Tool | <a href="#">0640050100</a> |
| Crimp Head for the AT-200™ Pneumatic Hand Tool | <a href="#">0640050300</a> |

| 10              |                    | 9               |                    | 8          |              | 7            |               | 6         |           | 5          |               | 4       |           | 3                |  | 2 |  | 19121  |  |
|-----------------|--------------------|-----------------|--------------------|------------|--------------|--------------|---------------|-----------|-----------|------------|---------------|---------|-----------|------------------|--|---|--|--------|--|
| LOOSE PIECE     |                    | TAPE MOUNTED    |                    | DIMENSIONS |              |              |               |           |           |            |               |         |           |                  |  |   |  | FINISH |  |
| MATERIAL NUMBER | ENGINEERING NUMBER | MATERIAL NUMBER | ENGINEERING NUMBER | STUD SIZE  | S ±.005      | W MAX        | C MIN         | ID MIN    | MWID      | B REF      | L MAX         | H REF   | T REF     | INSULATION COLOR |  |   |  |        |  |
| F 191210005     | AA-215-06X         | 191210006       | AA-215-06XT        | 6          | .146/3.71    | .301/7.6     | .207/5.3      | .054/1.37 | .145/3.68 | .400/10.16 | .781/19.8     | .08/2.0 | .031/0.79 | RED              |  |   |  |        |  |
| 191210007       | AA-215-08X         | 191210008       | AA-215-08XT        | 8          | .173/4.39    | .301/7.6     | .207/5.3      | .054/1.37 | .145/3.68 | .400/10.16 | .781/19.8     | .08/2.0 | .031/0.79 | RED              |  |   |  |        |  |
| 191210009       | AA-215-10X         | 191210010       | AA-215-10XT        | 10         | .198/5.03    | .301/7.6     | .207/5.3      | .054/1.37 | .145/3.68 | .400/10.16 | .781/19.8     | .08/2.0 | .031/0.79 | RED              |  |   |  |        |  |
| 191210026       | BB-216-06X         | 191210027       | BB-216-06XT        | 6          | .146/3.71    | .301/7.6     | .209/5.3      | .081/2.06 | .175/4.45 | .400/10.16 | .795/20.2     | .08/2.0 | .031/0.79 | BLUE             |  |   |  |        |  |
| 191210028       | BB-216-08X         | 191210029       | BB-216-08XT        | 8          | .173/4.39    | .301/7.6     | .209/5.3      | .081/2.06 | .175/4.45 | .400/10.16 | .795/20.2     | .08/2.0 | .031/0.79 | BLUE             |  |   |  |        |  |
| 191210030       | BB-216-10X         | 191210031       | BB-216-10XT        | 10         | .198/5.03    | .301/7.6     | .209/5.3      | .081/2.06 | .175/4.45 | .400/10.16 | .795/20.2     | .08/2.0 | .031/0.79 | BLUE             |  |   |  |        |  |
| 191210051       | C-217-06X          | 191210052       | C-217-06XT         | 6          | .146/3.71    | .345/8.8 (A) | .270/6.85 (A) | .128/3.25 | .245/6.22 | .550/13.97 | 1.01/25.7 (A) | .10/2.5 | .040/1.02 | YELLOW           |  |   |  |        |  |
| E 191210053     | C-217-08X          | 191210054       | C-217-08XT         | 8          | .173/4.39    | .385/9.8     | .270/6.85 (A) | .128/3.25 | .245/6.22 | .550/13.97 | 1.01/25.7 (A) | .10/2.5 | .040/1.02 | YELLOW           |  |   |  |        |  |
| 191210056       | C-217-10X          | 191210057       | C-217-10XT         | 10         | .209/5.3 (A) | .385/9.8     | .270/6.85 (A) | .128/3.25 | .245/6.22 | .550/13.97 | 1.01/25.7 (A) | .10/2.5 | .040/1.02 | YELLOW           |  |   |  |        |  |



SALES DRAWING

- NOTES:  
 1. MATERIAL: COPPER  
 2. PLATING: ELECTRO-TIN  
 3. MWID = MAXIMUM WIRE INSULATION DIAMETER  
 4. PART IS RoHS COMPLIANT

|  |                 |                                       |         |   |  |                    |   |                        |                     |
|--|-----------------|---------------------------------------|---------|---|--|--------------------|---|------------------------|---------------------|
| 12-10 TO ALT DIE DIMS<br>EC NO: ETC2008-0012<br>DRWN:RSTONE 2007/11/26<br>CHKD:MACNEIL 2007/11/26<br>APPR:MACNEIL 2007/12/05 | QUALITY SYMBOLS | GENERAL TOLERANCES (UNLESS SPECIFIED) |         | DIMENSION STYLE<br>IN/MM  |  | SCALE<br>---       | DESIGN UNITS<br>INCH                        | THIRD ANGLE PROJECTION |                     |
|  | ▽=0             | 4 PLACES                              | ± ---   | ± ---   | DRAWN BY<br>JJ                                       | DATE<br>1984/11/05 | TITLE<br>FLANGED SPADE TERMINAL, INSULKRIMP |                        |                     |
|  | ∇=0             | 3 PLACES                              | ± 0.005 | ± .005  | CHECKED BY<br>GZ                                     | DATE<br>1984/11/06 | MATERIAL NO.<br>SEE CHART                   |                        |                     |
|  |                 | 2 PLACES                              | ± 0.13  | ± .01   | APPROVED BY  | DATE               | DOCUMENT NO.<br>SD-19121-001                |                        |                     |
|  |                 | 1 PLACE                               | ± 0.25  | ± ---   | DRAFT WHERE APPLICABLE MUST REMAIN WITHIN DIMENSIONS |                    | MATERIAL NO.<br>SEE CHART                   |                        | SHEET NO.<br>1 OF 1 |
|  |                 | ANGULAR ±1/2°                         |         | THIS DRAWING CONTAINS INFORMATION THAT IS PROPRIETARY TO MOLEX INCORPORATED AND SHOULD NOT BE USED WITHOUT WRITTEN PERMISSION |  |                    |   |                        |                     |