

**PLEASE CHECK WWW.MOLEX.COM FOR LATEST PART INFORMATION**

**Part Number:** [0022235064](#)  
**Status:** **Active**  
**Description:** 2.54mm (.100") Pitch KK® Solid Header, Vertical, 6 Circuits, without Kinked PC Tails

**Documents:**

[3D Model](#) [RoHS Certificate of Compliance \(PDF\)](#)  
[Drawing \(PDF\)](#)

**Agency Certification**

CSA LR19980  
 UL E29179

**General**

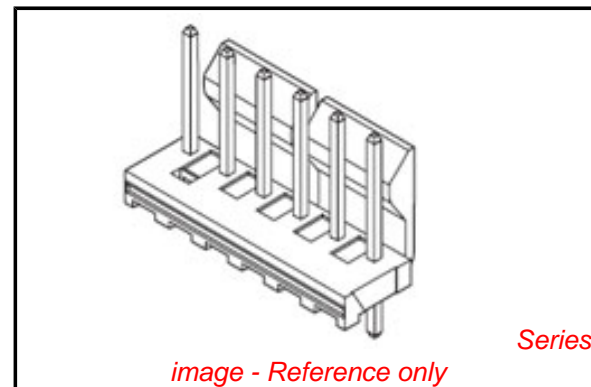
Product Family PCB Headers  
 Series [43009](#)  
 Application Wire-to-Board  
 Comments Glow Wire Equivalent Part Number [430093004](#)  
 Product Name KK®

**Physical**

Breakaway No  
 Circuits (Loaded) 6  
 Circuits (maximum) 6  
 Color - Resin Natural  
 Durability (mating cycles max) 25  
 Flammability 94V-0  
 Glow-Wire Compliant No  
 Lock to Mating Part Yes  
 Material - Metal Brass  
 Material - Plating Mating Tin  
 Material - Plating Termination Tin  
 Material - Resin Polyester  
 Number of Rows 1  
 Orientation Vertical  
 PC Tail Length (in) 0.140 In  
 PC Tail Length (mm) 3.56 mm  
 PCB Locator No  
 PCB Retention None  
 PCB Thickness Recommended (in) 0.062 In  
 PCB Thickness Recommended (mm) 1.60 mm  
 Packaging Type Bag  
 Pitch - Mating Interface (in) 0.100 In  
 Pitch - Mating Interface (mm) 2.54 mm  
 Plating min: Mating (µin) 200  
 Plating min: Mating (µm) 5  
 Plating min: Termination (µin) 200  
 Plating min: Termination (µm) 5  
 Polarized to Mating Part No  
 Polarized to PCB No  
 Shrouded No  
 Stackable No  
 Temperature Range - Operating 0°C to +75°C  
 Termination Interface: Style Through Hole

**Electrical**

Current - Maximum per Contact 4A



**EU RoHS**

**ELV and RoHS  
 Compliant  
 REACH SVHC  
 Contains SVHC: No  
 Halogen-Free  
 Status**

**China RoHS**



**Need more information on product  
 environmental compliance?**

Email [productcompliance@molex.com](mailto:productcompliance@molex.com)  
 For a multiple part number RoHS Certificate of  
 Compliance, [click here](#)

Please visit the [Contact Us](#) section for any  
 non-product compliance questions.

**Search Parts in this Series**

[43009Series](#)

**Mates With**

[2695](#) , [6471](#) , [7880](#) , [4455](#) , [7720](#) , [40555](#)

Voltage - Maximum 250V

**Solder Process Data**

Duration at Max. Process Temperature (seconds) 5

Lead-free Process Capability Wave Capable (TH only)

Max. Cycles at Max. Process Temperature 1

Process Temperature max. C 235

**Material Info**

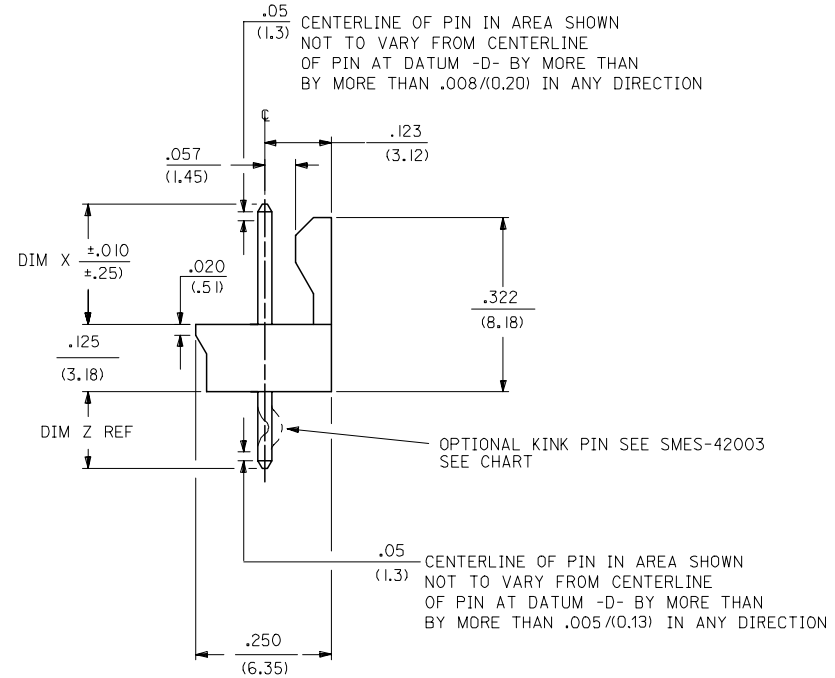
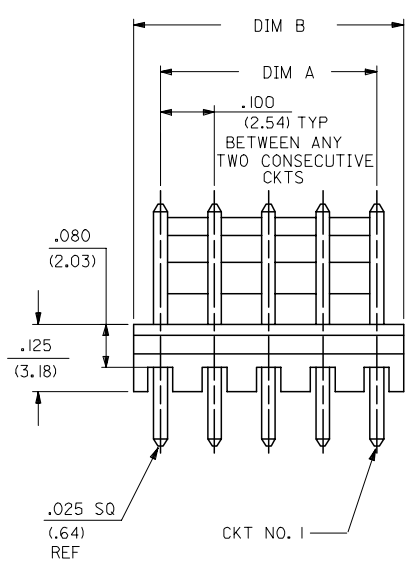
Old Part Number A-43009-0006

**Reference - Drawing Numbers**

Sales Drawing SDA-43009

This document was generated on 03/19/2010

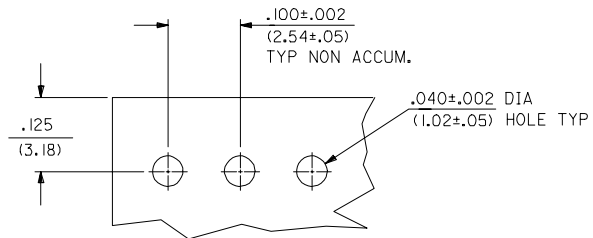
**PLEASE CHECK [WWW.MOLEX.COM](http://WWW.MOLEX.COM) FOR LATEST PART INFORMATION**



| CKTS | DIM A           | DIM B           |
|------|-----------------|-----------------|
| 2    | .100<br>(2.54)  | .195<br>(4.95)  |
| 3    | .200<br>(5.08)  | .295<br>(7.49)  |
| 4    | .300<br>(7.62)  | .395<br>(10.03) |
| 5    | .400<br>(10.16) | .495<br>(12.57) |
| 6    | .500<br>(12.70) | .595<br>(15.11) |
| 7    | .600<br>(15.24) | .695<br>(17.65) |
| 8    | .700<br>(17.78) | .795<br>(20.19) |
| 9    | .800<br>(20.32) | .895<br>(22.73) |
| 10   | .900<br>(22.86) | .995<br>(25.27) |

NOTES:

- MATERIAL: 7 1/2% GLASS FILLED POLYESTER, 94V-0.  
HOUSING COLORS: 42009 - N = NATURAL COLOR - ND = YELLOW  
- NA = BLUE - NE = GREEN  
- NB = BROWN - NR = RED  
- NC = ORANGE - NG = GREY  
PIN MATERIAL: 260 BRASS.
- FINISH:  
(102) - OVERALL TIN: .000200/(0.00508) MIN., OVERALL COPPER UNDERPLATE: .000100/(0.00254) MIN.  
(154) - OVERALL TIN: .000100/(0.00254) MIN., OVERALL NICKEL UNDERPLATE: .000050/(0.00127) MIN.  
(501) - OVERALL GOLD: .000020/(0.00051) MIN., OVERALL NICKEL UNDERPLATE: .000030/(0.00076) MIN.  
(509) - OVERALL GOLD: .000050/(0.00127) MIN., OVERALL NICKEL UNDERPLATE: .000030/(0.00076) MIN.
- PRODUCT SPECIFICATIONS: PS-10-07.
- PACKAGING: OPTION 1: BULK PER PK-43009-001.  
OPTION 2: TUBE PER PK-44743-001.
- PIN PUSH OUT FORCE: 3 LBS. MIN. (PER CKT).
- PARTS ARE STACKABLE END TO END ON .100/(2.54) CENTERS.
- SOLDERABILITY PER ES-152.



RECOMMENDED PC BOARD LAYOUT  
(.062 THK)

|           |       |      |
|-----------|-------|------|
| GEN. DOC. | 2-*   | C1   |
| ME 10     | 1     | C1   |
| DOC. TYPE | SHEET | REV. |

|              |                     |             |
|--------------|---------------------|-------------|
| ADD TUBE PKG | FC NO: UCP2006-1787 | 2006/02/13  |
| DRW:NAELHAG  | CHKD:LSHMDT         | 2006/02/16  |
| APPR:FSM TH  | REV                 | DESCRIPTION |
| C1           |                     |             |

|                 |  |                 |              |                 |                        |
|-----------------|--|-----------------|--------------|-----------------|------------------------|
| QUALITY SYMBOLS | GENERAL TOLERANCES (UNLESS SPECIFIED)                | DIMENSION STYLE | SCALE        | DESIGN UNITS    | THIRD ANGLE PROJECTION |
| ▽=0             | mm INCH  | IN/MM           | ---          | METRIC          |                        |
| ▽=0             | 4 PLACES ± --- ± ---                                 | DRAWN BY        | DATE         | TITLE           |                        |
|                 | 3 PLACES ± --- ± .010                                | SAMIEC          | 01/28/92     | HEADER ASSEMBLY |                        |
|                 | 2 PLACES ± 0.25 ± .014                               | CHECKED BY      | DATE         | FRICITION LOCK  |                        |
|                 | 1 PLACE ± 0.36 ± ---                                 | PATEL           | 01/28/92     | .100 CENTERS    |                        |
|                 | ANGULAR ±1/2°  | APPROVED BY     | DATE         |                 |                        |
|                 |  | LENZ            | 01/28/92     |                 |                        |
|                 | DRAFT WHERE APPLICABLE MUST REMAIN WITHIN DIMENSIONS | MATERIAL NO.    | DOCUMENT NO. | SHEET NO.       |                        |
|                 |  | METRIC          | SDA-43009    | 1 OF 5          |                        |

|   |  |
|---|--|
| THIS DRAWING CONTAINS INFORMATION THAT IS PROPRIETARY TO MOLEX INCORPORATED AND SHOULD NOT BE USED WITHOUT WRITTEN PERMISSION |  |
|---|--|

| A-43009-0002/0010 |             |                 | A-43009-001/0019 |             |                 | A-43009-0020/0028 |             |                 | A-43009-0029/0037 |             |                 |
|-------------------|-------------|-----------------|------------------|-------------|-----------------|-------------------|-------------|-----------------|-------------------|-------------|-----------------|
| OPTIONS           | Header No.  | 42009-N         | OPTIONS          | Header No.  | 42009-N         | OPTIONS           | Header No.  | 42009-NE        | OPTIONS           | Header No.  | 42009-NR        |
|                   | Pin No.     | 2766-1(102)     |                  | Pin No.     | 2766-1(102)     |                   | Pin No.     | 2766-1(102)     |                   | Pin No.     | 2766-1(102)     |
|                   | Dim. L      | .560/(14.22)    |                  | Dim. L      | .560/(14.22)    |                   | Dim. L      | .560/(14.22)    |                   | Dim. L      | .560/(14.22)    |
|                   | Dim. X      | .295/(7.49)     |                  | Dim. X      | .295/(7.49)     |                   | Dim. X      | .295/(7.49)     |                   | Dim. X      | .295/(7.49)     |
|                   | Dim. Z      | .140/(3.56)     |                  | Dim. Z      | .140/(3.56)     |                   | Dim. Z      | .140/(3.56)     |                   | Dim. Z      | .140/(3.56)     |
|                   | No. of Ckts | 2-10            |                  | No. of Ckts | 2-10            |                   | No. of Ckts | 2-10            |                   | No. of Ckts | 2-10            |
|                   | Void Ckts   | None            |                  | Void Ckts   | None            |                   | Void Ckts   | None            |                   | Void Ckts   | None            |
|                   | Kink Pins   | No              |                  | Kink Pins   | Yes             |                   | Kink Pins   | Yes             |                   | Kink Pins   | Yes             |
|                   | Color       | -               |                  | Color       | -               |                   | Color       | Green           |                   | Color       | Red             |
|                   | Packaging   | PK-43009-001    |                  | Packaging   | PK-43009-001    |                   | Packaging   | PK-43009-001    |                   | Packaging   | PK-43009-001    |
| Ckt               | EDP No.     | Engineering No. | Ckt              | EDP No.     | Engineering No. | Ckt               | EDP No.     | Engineering No. | Ckt               | EDP No.     | Engineering No. |
| 2                 | 22-23-5024  | A-43009-0002    | 2                | 22-23-5021  | A-43009-0011    | 2                 | 22-23-5022  | A-43009-0020    | 2                 | 22-23-5023  | A-43009-0029    |
| 3                 | 22-23-5034  | A-43009-0003    | 3                | 22-23-5031  | A-43009-0012    | 3                 | 22-23-5032  | A-43009-0021    | 3                 | 22-23-5033  | A-43009-0030    |
| 4                 | 22-23-5044  | A-43009-0004    | 4                | 22-23-5041  | A-43009-0013    | 4                 | 22-23-5042  | A-43009-0022    | 4                 | 22-23-5043  | A-43009-0031    |
| 5                 | 22-23-5054  | A-43009-0005    | 5                | 22-23-5051  | A-43009-0014    | 5                 | 22-23-5052  | A-43009-0023    | 5                 | 22-23-5053  | A-43009-0032    |
| 6                 | 22-23-5064  | A-43009-0006    | 6                | 22-23-5061  | A-43009-0015    | 6                 | 22-23-5062  | A-43009-0024    | 6                 | 22-23-5063  | A-43009-0033    |
| 7                 | 22-23-5074  | A-43009-0007    | 7                | 22-23-5071  | A-43009-0016    | 7                 | 22-23-5072  | A-43009-0025    | 7                 | 22-23-5073  | A-43009-0034    |
| 8                 | 22-23-5084  | A-43009-0008    | 8                | 22-23-5081  | A-43009-0017    | 8                 | 22-23-5082  | A-43009-0026    | 8                 | 22-23-5083  | A-43009-0035    |
| 9                 | 22-23-5094  | A-43009-0009    | 9                | 22-23-5091  | A-43009-0018    | 9                 | 22-23-5092  | A-43009-0027    | 9                 | 22-23-5093  | A-43009-0036    |
| 10                | 22-23-5104  | A-43009-0010    | 10               | 22-23-5101  | A-43009-0019    | 10                | 22-23-5102  | A-43009-0028    | 10                | 22-23-5103  | A-43009-0037    |
| 11                |             |                 | 11               |             |                 | 11                |             |                 | 11                |             |                 |
| 12                |             |                 | 12               |             |                 | 12                |             |                 | 12                |             |                 |
| 13                |             |                 | 13               |             |                 | 13                |             |                 | 13                |             |                 |
| 14                |             |                 | 14               |             |                 | 14                |             |                 | 14                |             |                 |
| 15                |             |                 | 15               |             |                 | 15                |             |                 | 15                |             |                 |
|                   |             |                 |                  |             |                 |                   |             |                 |                   |             |                 |
|                   |             |                 |                  |             |                 |                   |             |                 |                   |             |                 |
|                   |             |                 |                  |             |                 |                   |             |                 |                   |             |                 |

|                                      |                                 |   |                              |
|--------------------------------------|---------------------------------|---|------------------------------|
| REV:<br><b>C1</b>                    | <b>SEE SHEET 1</b><br>2/17/2006 | TITLE:<br><b>HEADER ASSEMBLY FRICTION LOCK</b><br><b>.100 CENTERS</b> | SHEET No.<br><b>- 2 -</b>    |
| DOCUMENT NUMBER:<br><b>SDA-43009</b> |                                 | CREATED / REVISED BY:<br><b>DRATNOL</b>                               | CHECKED BY:<br><b>SAMIEC</b> |
|                                      |                                 | APPROVED BY:<br><b>MARGULIS</b>                                       |                              |

| A-43009-0038/0046 |             |                 | A-43009-047/0055 |             |                 | A-43009-0056/0064 |             |                 | A-43009-0066/0073 |             |                 |
|-------------------|-------------|-----------------|------------------|-------------|-----------------|-------------------|-------------|-----------------|-------------------|-------------|-----------------|
| OPTIONS           | Header No.  | 42009-ND        | OPTIONS          | Header No.  | 42009-N         | OPTIONS           | Header No.  | 42009-N         | OPTIONS           | Header No.  | 42009-N         |
|                   | Pin No.     | 2766-1(102)     |                  | Pin No.     | 2766-1(501)     |                   | Pin No.     | 2766-1(509)     |                   | Pin No.     | 2766-1(102)     |
|                   | Dim. L      | .560/(14.22)    |                  | Dim. L      | .560/(14.22)    |                   | Dim. L      | .560/(14.22)    |                   | Dim. L      | .560/(14.22)    |
|                   | Dim. X      | .295/(7.49)     |                  | Dim. X      | .295/(7.49)     |                   | Dim. X      | .295/(7.49)     |                   | Dim. X      | .295/(7.49)     |
|                   | Dim. Z      | .140/(3.56)     |                  | Dim. Z      | .140/(3.56)     |                   | Dim. Z      | .140/(3.56)     |                   | Dim. Z      | .140/(3.56)     |
|                   | No. of Ckts | 2-10            |                  | No. of Ckts | 2-10            |                   | No. of Ckts | 2-10            |                   | No. of Ckts | 3-10            |
|                   | Void Ckts   | None            |                  | Void Ckts   | None            |                   | Void Ckts   | None            |                   | Void Ckts   | 1               |
|                   | Kink Pins   | Yes             |                  | Kink Pins   | Yes             |                   | Kink Pins   | Yes             |                   | Kink Pins   | Yes             |
|                   | Color       | Yellow          |                  | Color       | -               |                   | Color       | -               |                   | Color       | -               |
|                   | Packaging   | PK-43009-001    |                  | Packaging   | PK-43009-001    |                   | Packaging   | PK-43009-001    |                   | Packaging   | PK-43009-001    |
| Ckt               | EDP No.     | Engineering No. | Ckt              | EDP No.     | Engineering No. | Ckt               | EDP No.     | Engineering No. | Ckt               | EDP No.     | Engineering No. |
| 2                 | 22-23-5025  | A-43009-0038    | 2                |             | A-43009-0047    | 2                 | 43009-0056  | A-43009-0056    | 2                 |             |                 |
| 3                 | 22-23-5035  | A-43009-0039    | 3                |             | A-43009-0048    | 3                 | 43009-0057  | A-43009-0057    | 3                 | 43009-0066  | A-43009-0066    |
| 4                 | 22-23-5045  | A-43009-0040    | 4                |             | A-43009-0049    | 4                 | 43009-0058  | A-43009-0058    | 4                 | 43009-0067  | A-43009-0067    |
| 5                 | 22-23-5055  | A-43009-0041    | 5                |             | A-43009-0050    | 5                 | 43009-0059  | A-43009-0059    | 5                 | 43009-0068  | A-43009-0068    |
| 6                 | 22-23-5065  | A-43009-0042    | 6                |             | A-43009-0051    | 6                 | 43009-0060  | A-43009-0060    | 6                 | 43009-0069  | A-43009-0069    |
| 7                 | 22-23-5075  | A-43009-0043    | 7                |             | A-43009-0052    | 7                 | 43009-0061  | A-43009-0061    | 7                 | 43009-0070  | A-43009-0070    |
| 8                 | 22-23-5085  | A-43009-0044    | 8                |             | A-43009-0053    | 8                 | 43009-0062  | A-43009-0062    | 8                 | 43009-0071  | A-43009-0071    |
| 9                 | 22-23-5095  | A-43009-0045    | 9                |             | A-43009-0054    | 9                 | 43009-0063  | A-43009-0063    | 9                 | 43009-0072  | A-43009-0072    |
| 10                | 22-23-5105  | A-43009-0046    | 10               |             | A-43009-0055    | 10                | 43009-0064  | A-43009-0064    | 10                | 43009-0073  | A-43009-0073    |
| 11                |             |                 | 11               |             |                 | 11                |             |                 | 11                |             |                 |
| 12                |             |                 | 12               |             |                 | 12                |             |                 | 12                |             |                 |
| 13                |             |                 | 13               |             |                 | 13                |             |                 | 13                |             |                 |
| 14                |             |                 | 14               |             |                 | 14                |             |                 | 14                |             |                 |
| 15                |             |                 | 15               |             |                 | 15                |             |                 | 15                |             |                 |
|                   |             |                 |                  |             |                 |                   |             |                 |                   |             |                 |
|                   |             |                 |                  |             |                 |                   |             |                 |                   |             |                 |
|                   |             |                 |                  |             |                 |                   |             |                 |                   |             |                 |

|                                      |                                 |   |                              |
|--------------------------------------|---------------------------------|---|------------------------------|
| REV:<br><b>C1</b>                    | <b>SEE SHEET 1</b><br>2/17/2006 | TITLE:<br><b>HEADER ASSEMBLY FRICTION LOCK</b><br><b>.100 CENTERS</b> | SHEET No.<br><b>- 3 -</b>    |
| DOCUMENT NUMBER:<br><b>SDA-43009</b> |                                 | CREATED / REVISED BY:<br><b>DRATNOL</b>                               | CHECKED BY:<br><b>SAMIEC</b> |
|                                      |                                 | APPROVED BY:<br><b>MARGULIS</b>                                       |                              |

| A-43009-0074/0081 |             |                 | A-43009-082/0089 |             |                 | A-43009-0090/0097 |             |                 | A-43009-0098/0106 |             |                 |
|-------------------|-------------|-----------------|------------------|-------------|-----------------|-------------------|-------------|-----------------|-------------------|-------------|-----------------|
| OPTIONS           | Header No.  | 42009-N         | OPTIONS          | Header No.  | 42009-N         | OPTIONS           | Header No.  | 42009-N         | OPTIONS           | Header No.  | 42009-N         |
|                   | Pin No.     | 2766-1(102)     |                  | Pin No.     | 2766-1(102)     |                   | Pin No.     | 2766-1(102)     |                   | Pin No.     | 2766-1(154)     |
|                   | Dim. L      | .560/(14.22)    |                  | Dim. L      | .560/(14.22)    |                   | Dim. L      | .560/(14.22)    |                   | Dim. L      | .560/(14.22)    |
|                   | Dim. X      | .295/(7.49)     |                  | Dim. X      | .295/(7.49)     |                   | Dim. X      | .295/(7.49)     |                   | Dim. X      | .295/(7.49)     |
|                   | Dim. Z      | .140/(3.56)     |                  | Dim. Z      | .140/(3.56)     |                   | Dim. Z      | .140/(3.56)     |                   | Dim. Z      | .140/(3.56)     |
|                   | No. of Ckts | 3-10            |                  | No. of Ckts | 3-10            |                   | No. of Ckts | 3-10            |                   | No. of Ckts | 2-10            |
|                   | Void Ckts   | 2               |                  | Void Ckts   | 3               |                   | Void Ckts   | 3               |                   | Void Ckts   | NONE            |
|                   | Kink Pins   | Yes             |                  | Kink Pins   | Yes             |                   | Kink Pins   | No              |                   | Kink Pins   | NO              |
|                   | Color       | -               |                  | Color       | -               |                   | Color       | -               |                   | Color       | -               |
|                   | Packaging   | PK-43009-001    |                  | Packaging   | PK-43009-001    |                   | Packaging   | PK-43009-001    |                   | Packaging   | PK-43009-001    |
| Ckt               | EDP No.     | Engineering No. | Ckt              | EDP No.     | Engineering No. | Ckt               | EDP No.     | Engineering No. | Ckt               | EDP No.     | Engineering No. |
| 2                 |             |                 | 2                |             |                 | 2                 |             |                 | 2                 | 50-34-1986  | A-43009-0098    |
| 3                 | 43009-0074  | A-43009-0074    | 3                | 43009-0082  | A-43009-0082    | 3                 | 43009-0090  | A-43009-0090    | 3                 | 50-34-1987  | A-43009-0099    |
| 4                 | 43009-0075  | A-43009-0075    | 4                | 43009-0083  | A-43009-0083    | 4                 | 43009-0091  | A-43009-0091    | 4                 | 50-34-1988  | A-43009-0100    |
| 5                 | 43009-0076  | A-43009-0076    | 5                | 43009-0084  | A-43009-0084    | 5                 | 43009-0092  | A-43009-0092    | 5                 | 50-34-1989  | A-43009-0101    |
| 6                 | 43009-0077  | A-43009-0077    | 6                | 43009-0085  | A-43009-0085    | 6                 | 43009-0093  | A-43009-0093    | 6                 | 50-34-1990  | A-43009-0102    |
| 7                 | 43009-0078  | A-43009-0078    | 7                | 43009-0086  | A-43009-0086    | 7                 | 43009-0094  | A-43009-0094    | 7                 | 50-34-1991  | A-43009-0103    |
| 8                 | 43009-0079  | A-43009-0079    | 8                | 43009-0087  | A-43009-0087    | 8                 | 43009-0095  | A-43009-0095    | 8                 | 50-34-1992  | A-43009-0104    |
| 9                 | 43009-0080  | A-43009-0080    | 9                | 43009-0088  | A-43009-0088    | 9                 | 43009-0096  | A-43009-0096    | 9                 | 50-34-1993  | A-43009-0105    |
| 10                | 43009-0081  | A-43009-0081    | 10               | 43009-0089  | A-43009-0089    | 10                | 43009-0097  | A-43009-0097    | 10                | 50-34-1994  | A-43009-0106    |
| 11                |             |                 | 11               |             |                 | 11                |             |                 | 11                |             |                 |
| 12                |             |                 | 12               |             |                 | 12                |             |                 | 12                |             |                 |
| 13                |             |                 | 13               |             |                 | 13                |             |                 | 13                |             |                 |
| 14                |             |                 | 14               |             |                 | 14                |             |                 | 14                |             |                 |
| 15                |             |                 | 15               |             |                 | 15                |             |                 | 15                |             |                 |

|                                      |  |   |                              |
|--------------------------------------|--|---|------------------------------|
| REV:<br><b>C1</b>                    | <b>SEE SHEET 1</b><br><b>2/17/2006</b> | TITLE:<br><b>HEADER ASSEMBLY FRICTION LOCK</b><br><b>.100 CENTERS</b> | SHEET No.<br><b>- 4 -</b>    |
| DOCUMENT NUMBER:<br><b>SDA-43009</b> |  | CREATED / REVISED BY:<br><b>DRATNOL</b>                               | CHECKED BY:<br><b>SAMIEC</b> |
|                                      |  | APPROVED BY:<br><b>MARGULIS</b>                                       |                              |

| A-43009-0107/0115 |             |                 |         |             |                 |         |             |                 |         |             |                 |
|-------------------|-------------|-----------------|---------|-------------|-----------------|---------|-------------|-----------------|---------|-------------|-----------------|
| OPTIONS           | Header No.  | 42009-N         | OPTIONS | Header No.  |                 | OPTIONS | Header No.  |                 | OPTIONS | Header No.  |                 |
|                   | Pin No.     | 2766-1(154)     |         | Pin No.     |                 |         | Pin No.     |                 |         | Pin No.     |                 |
|                   | Dim. L      | .560/(14.22)    |         | Dim. L      |                 |         | Dim. L      |                 |         | Dim. L      |                 |
|                   | Dim. X      | .295/(7.49)     |         | Dim. X      |                 |         | Dim. X      |                 |         | Dim. X      |                 |
|                   | Dim. Z      | .140/(3.56)     |         | Dim. Z      |                 |         | Dim. Z      |                 |         | Dim. Z      |                 |
|                   | No. of Ckts | 2-10            |         | No. of Ckts |                 |         | No. of Ckts |                 |         | No. of Ckts |                 |
|                   | Void Ckts   | NONE            |         | Void Ckts   |                 |         | Void Ckts   |                 |         | Void Ckts   |                 |
|                   | Kink Pins   | Yes             |         | Kink Pins   |                 |         | Kink Pins   |                 |         | Kink Pins   |                 |
|                   | Color       | -               |         | Color       |                 |         | Color       |                 |         | Color       |                 |
|                   | Packaging   | PK-43009-001    |         | Packaging   | PK-43009-001    |         | Packaging   | PK-43009-001    |         | Packaging   | PK-43009-001    |
| Ckt               | EDP No.     | Engineering No. | Ckt     | EDP No.     | Engineering No. | Ckt     | EDP No.     | Engineering No. | Ckt     | EDP No.     | Engineering No. |
| 2                 | 50-34-1995  | A-43009-0107    | 2       |             |                 | 2       |             |                 | 2       |             |                 |
| 3                 | 50-34-1996  | A-43009-0108    | 3       |             |                 | 3       |             |                 | 3       |             |                 |
| 4                 | 50-34-1997  | A-43009-0109    | 4       |             |                 | 4       |             |                 | 4       |             |                 |
| 5                 | 50-34-1998  | A-43009-0110    | 5       |             |                 | 5       |             |                 | 5       |             |                 |
| 6                 | 50-34-1999  | A-43009-0111    | 6       |             |                 | 6       |             |                 | 6       |             |                 |
| 7                 | 50-30-4401  | A-43009-0112    | 7       |             |                 | 7       |             |                 | 7       |             |                 |
| 8                 | 50-30-4402  | A-43009-0113    | 8       |             |                 | 8       |             |                 | 8       |             |                 |
| 9                 | 50-30-4403  | A-43009-0114    | 9       |             |                 | 9       |             |                 | 9       |             |                 |
| 10                | 50-30-4404  | A-43009-0115    | 10      |             |                 | 10      |             |                 | 10      |             |                 |
| 11                |             |                 | 11      |             |                 | 11      |             |                 | 11      |             |                 |
| 12                |             |                 | 12      |             |                 | 12      |             |                 | 12      |             |                 |
| 13                |             |                 | 13      |             |                 | 13      |             |                 | 13      |             |                 |
| 14                |             |                 | 14      |             |                 | 14      |             |                 | 14      |             |                 |
| 15                |             |                 | 15      |             |                 | 15      |             |                 | 15      |             |                 |
|                   |             |                 |         |             |                 |         |             |                 |         |             |                 |
|                   |             |                 |         |             |                 |         |             |                 |         |             |                 |
|                   |             |                 |         |             |                 |         |             |                 |         |             |                 |

|                                      |   |   |                                 |
|--------------------------------------|---|---|---------------------------------|
| REV:<br><b>C1</b>                    | <b>SEE SHEET 1</b><br><b>2/17/2006</b>  | TITLE:<br><b>HEADER ASSEMBLY FRICTION LOCK</b><br><b>.100 CENTERS</b> | SHEET No.<br><b>- 5 -</b>       |
| DOCUMENT NUMBER:<br><b>SDA-43009</b> | CREATED / REVISED BY:<br><b>DRATNOL</b> | CHECKED BY:<br><b>SAMIEC</b>  | APPROVED BY:<br><b>MARGULIS</b> |