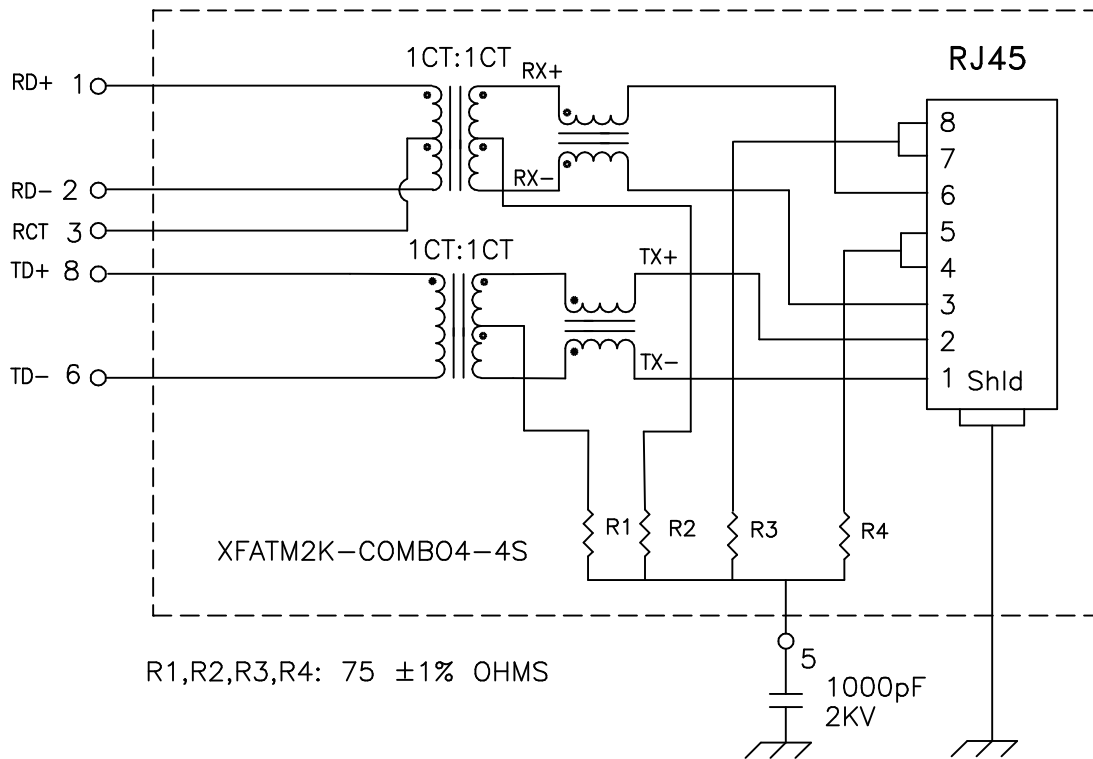


Schematic:



Electrical Specifications: @25°C

Isolation Voltage: 1500 Vrms (INPUT to OUTPUT)
 UTP SIDE OCL: 350uH Min @100KHz 100mV 8mADC
 Rise Time (10-90%): 2.5ns Typical
 Insertion Loss (100KHz-100MHz): -1.1dB Maximum
 Insertion Loss (100MHz-125MHz): -1.5dB Typ.
 Return Loss: -20dB Min. @30MHz
 -15dB Min. @80MHz

Crosstalk:

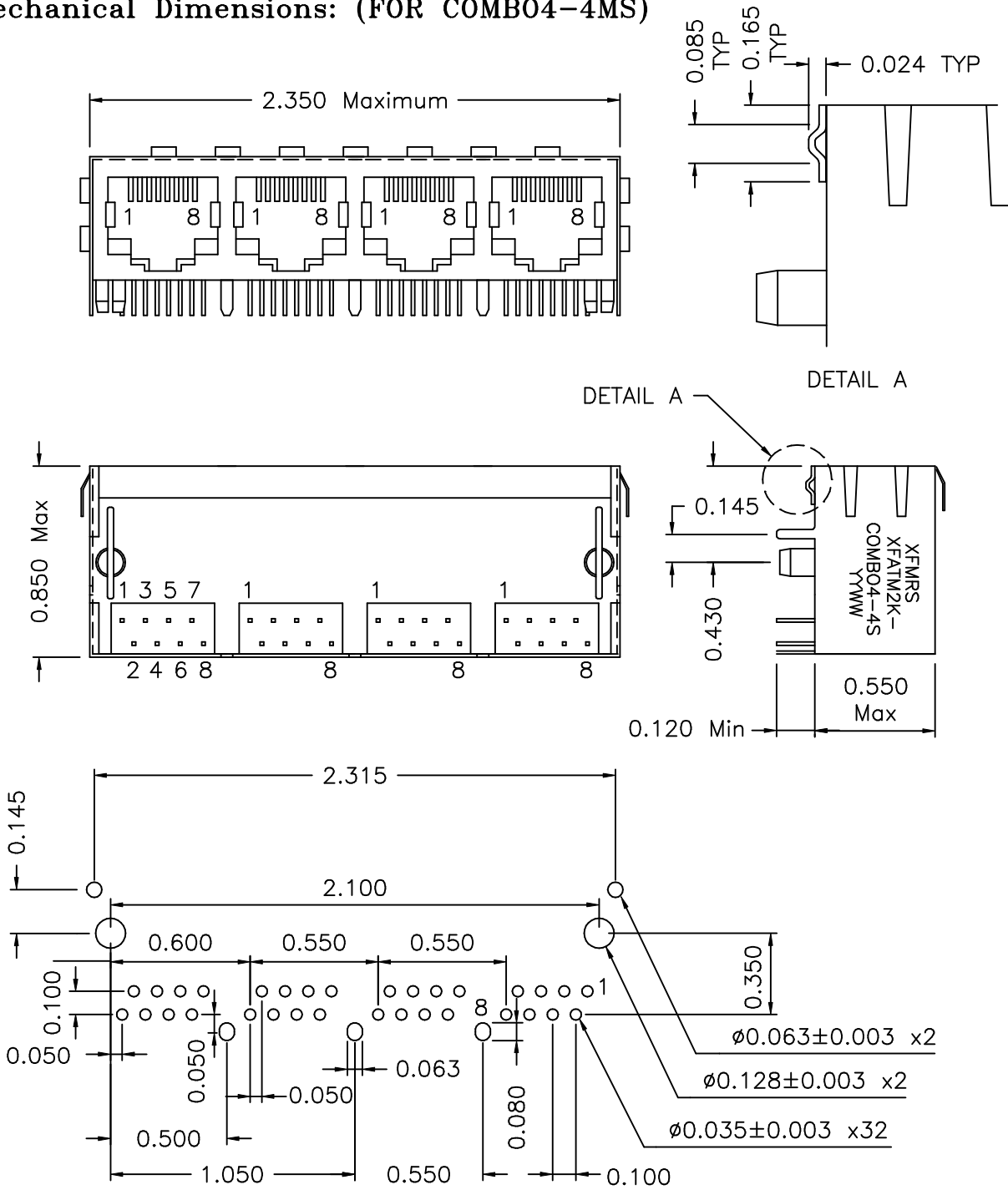
100KHz-60MHz -40dB Typical
 60MHz-100MHz -38dB Typical

Common Mode to Differential Mode Rejection:

100KHz-60MHz -45dB Typ (Tx) / -40dB Typ (Rx)
 60MHz-100MHz -40dB Typ (Tx) / -35dB Typ (Rx)

XFMRs Inc. UNLESS OTHERWISE SPECIFIED TOLERANCES: .xxx ±0.010 Dimensions in Inch SHEET 1 OF 1	Title: QUAD PORT COMBO		
	XFATM2K-COMBO4-4S		REV. A
	DWN.	康玉坤	Jan-24-00
	CHK.	李清儿	Jan-24-00
APP.	Joe Huff	Jan-24-00	

Mechanical Dimensions: (FOR COMB04-4MS)



SUGGESTED MOUNTING PATTERN

<p>XFMRs Inc.</p> <p>UNLESS OTHERWISE SPECIFIED TOLERANCES: .xxx ±0.010 Dimensions in Inch</p> <p>DOC. REV: A/1</p> <p>SHEET 2 OF 2</p>	Title: Mechanical Dimensions For COMB04-4S Series		
	P/N: XFATM2K-COMB04-4S		REV. A
	DWN.	廖玉坤	Jan-24-00
	CHK.	李清儿	Jan-24-00
	APP.	Joe Huff	Jan-24-00