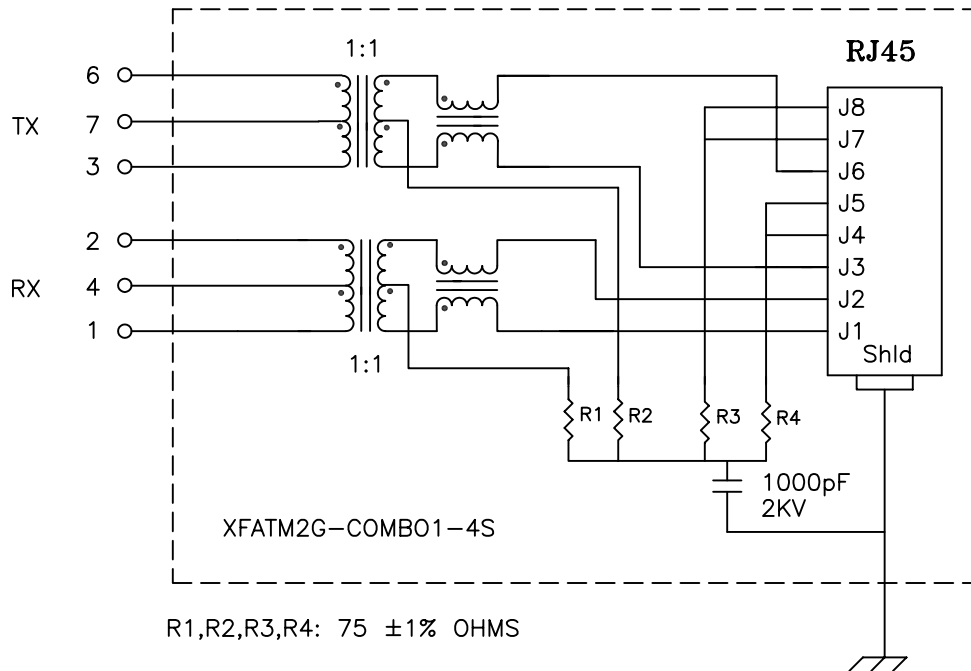


Schematic:



Electrical Specifications: @25°C

Isolation Voltage: 1500 Vac
 Isolation Voltage: 500 Vac (1+2+4-3+7+6)
 UTP SIDE OCL: 350uH Min @100KHz 100mV 8mADC
 Rise Time (10-90%): 2.5ns Typical
 Insertion Loss (300KHz-100MHz): -1.1dB Maximum
 Insertion Loss (100MHz-125MHz): -1.5dB Maximum
 Return Loss: -12dB Typical @300KHz - 100MHz
 Crosstalk:
 100KHz-60MHz -40dB Typical
 60MHz-100MHz -38dB Typical
 Common Mode to Differential Mode Rejection:
 1MHz-100MHz -30dB Typ (Tx) / -30dB Typ (Rx)
 200MHz -20dB Typ (Tx) / -20dB Typ (Rx)
 Q: 18 Min @100KHz 100mV

Notes:

1. Solderability: Leads shall meet MIL-STD-202G, Method 208H for solderability.
2. Flammability: UL94V-0
3. ASTM oxygen index: > 28%
4. Insulation System: Class F 155°C. UL file E151556
5. Operating Temperature Range: All listed parameters are to be within tolerance from -40°C to +85°C
6. Storage Temperature Range: -55°C to +125°C
7. Aqueous wash compatible
8. Electrical and mechanical specifications 100% tested
9. RoHS Compliant Component

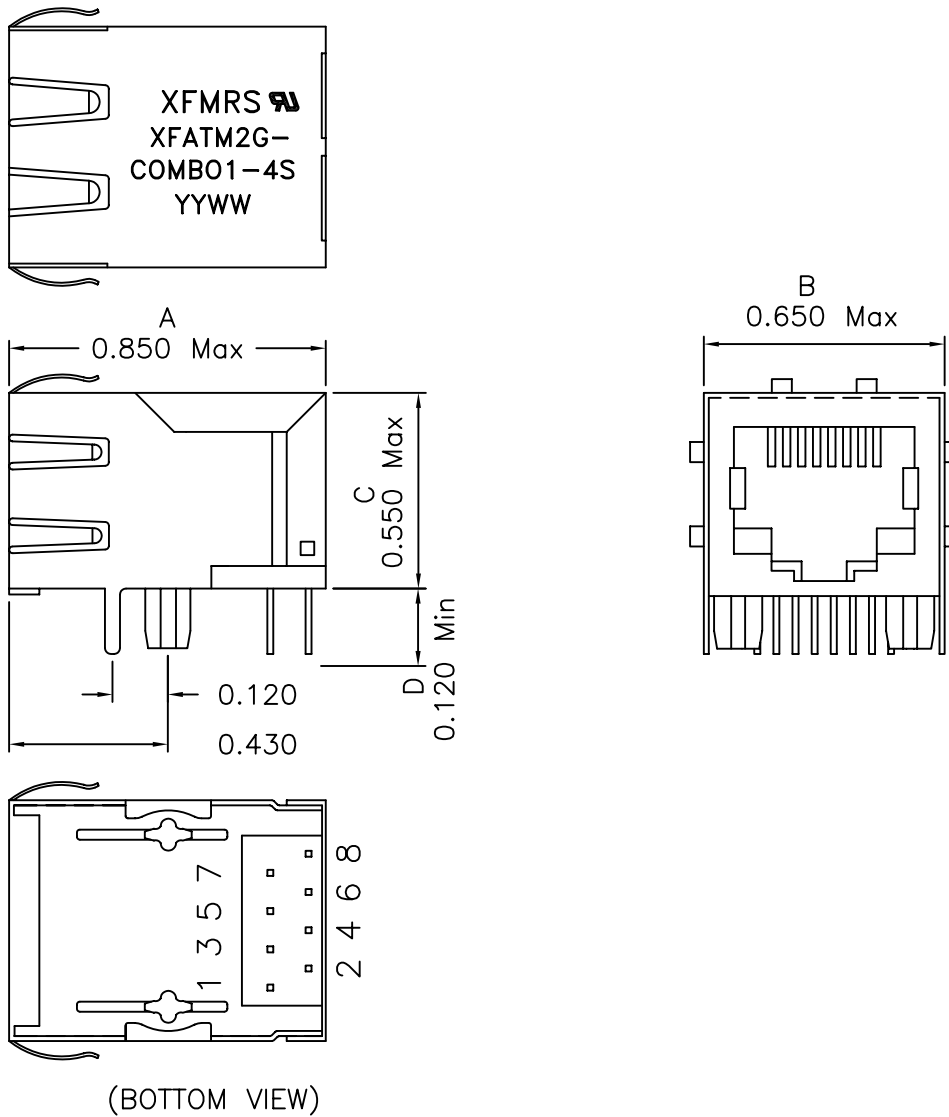
DOC. REV: A/3

PROPRIETARY:

Document is the property of XFMRs Group & is not allowed to be duplicated without authorization.

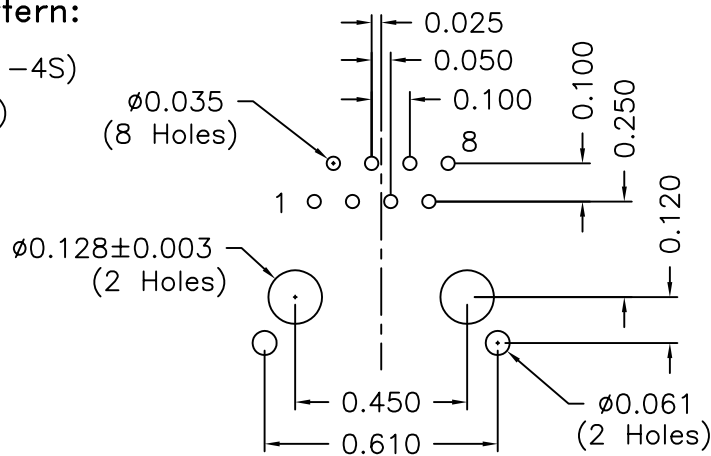
| | | | |
|------------------------------------|---|---------|------------------------|
| XFMRs Inc. www.XFMRs.com | Title: SINGLE PORT COMBO | | |
| | UNLESS OTHERWISE SPECIFIED TOLERANCES: .xxx ±0.010 | | P/N: XFATM2G-COMBO1-4S |
| Dimensions in Inch | DWN. | Xianyi | Feb-23-09 |
| SHEET 1 OF 2 | CHK. | YK Liao | Feb-23-09 |
| | APP. | BW | Feb-23-09 |

Mechanical Dimensions:



Mounting Pattern:

(FOR COMBO1-4S)
(COMP SIDE)



XFMR5 Inc.
www.XFMRS.com

Title: Mechanical Dimensions
For COMBO1-4S Series

UNLESS OTHERWISE SPECIFIED

XFATM2G-COMBO1-4S

REV. A

TOLERANCES:

DWN.

Xianyi

Feb-23-09

.xxx ±0.010

CHK.

YK Liao

Feb-23-09

Dimensions in Inch

APP.

BW

Feb-23-09

SHEET 2 OF 2

DOC. REV: A/3

PROPRIETARY:

Document is the property of XFMR5 Group & is not allowed to be duplicated without authorization.