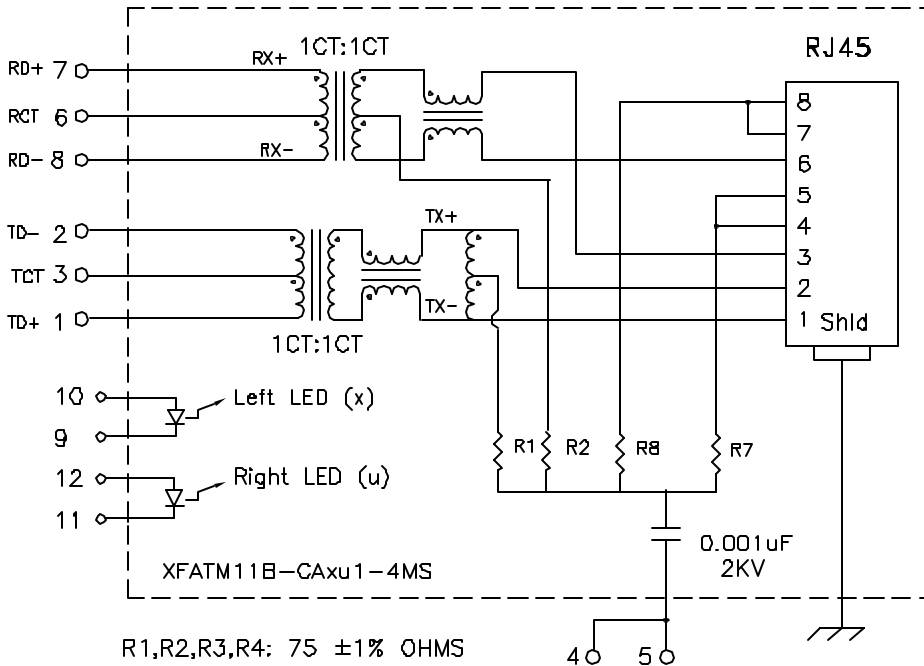


## Schematic:



### Electrical Specifications: @25°C

UTP Impedance: 100 OHMS

Turns Ratio: TX : 1CT:1CT (±2%) RX : 1CT:1CT (±2%)

Isolation Voltage: 1500 VAC (Input to Output)

UTP Side OCL: 350uH Minimum @100KHz, 100mV 8mADC

Insertion Loss (0.1MHz-100MHz): -1.0dB Maximum

Return Loss: 1MHz-30MHz 40MHz 50MHz 60MHz-80MHz  
-18dB Typ -16dB Typ -14dB Typ -12dB Typ

CMRR: 30MHz 60MHz 100MHz  
-35dB Min -30dB Min -25dB Min

Crosstalk: 30MHz 60MHz 100MHz  
-50dB Min -40dB Min -35dB Min

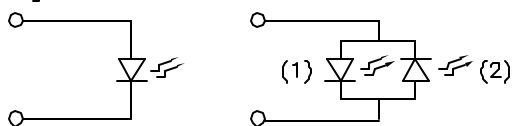
Complete the Combo P/N as follows:

Replace 'x' & 'u' in the part number with one of the LED color letters:

Y=Yellow 'x' = Left LED Color  
G=Green 'u' = Right LED Color  
A=Amber  
R=Red  
C=Green(1)/Amber(2) Bicolor  
D=Amber(1)/Green(2) Bicolor  
M=Green(1)/Yellow(2) Bicolor  
N=Yellow(1)/Green(2) Bicolor  
P=Red(1)/Green(2) Bicolor  
Q=Green(1)/Red(2) Bicolor

Single Color LED:

Bi-Color LED:



DOC. REV: B/8

### Notes:

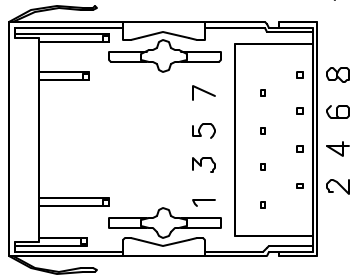
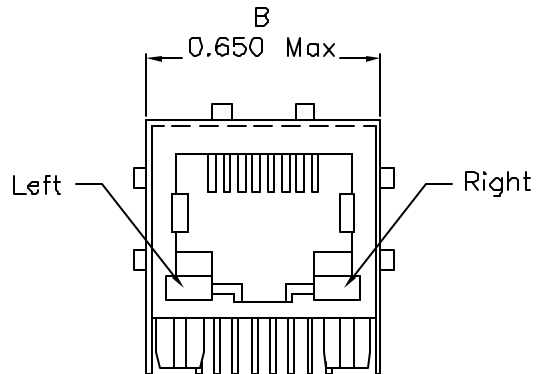
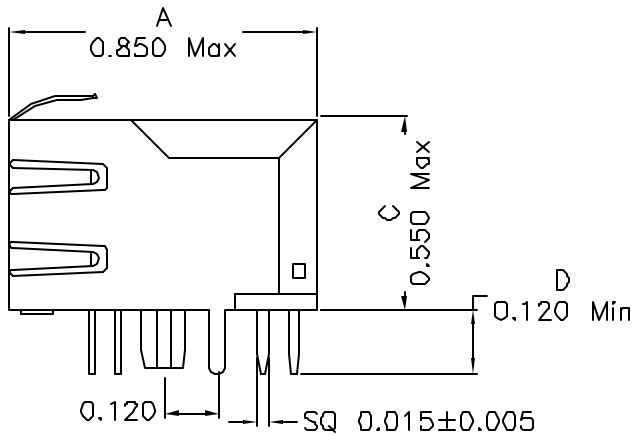
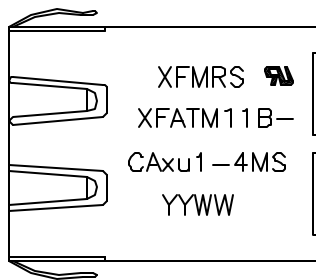
- Solderability: Leads shall meet MIL-STD-202G, Method 208H for solderability.
- Flammability: UL94V-0
- ASTM oxygen index: > 28%
- Insulation System: Class F 155°C, UL file E151556
- Operating Temperature Range: All listed parameters are to be within tolerance from -40°C to +85°C
- Storage Temperature Range: -55°C to +125°C
- Aqueous wash compatible
- Electrical and mechanical specifications 100% tested
- RoHS Compliant Component

<b>XFMRs Inc.</b> UNLESS OTHERWISE SPECIFIED TOLERANCES: .xxx ±0.010 Dimensions in Inch SHEET 1 OF 2	Title: <b>SINGLE PORT COMBO</b>		
	P/N: XFATM11B-CAxu1-4MS		REV. B
	DWN.	Juan Mao	Dec-28-07
	CHK.	YK Liao	Dec-28-07
	APP.	MS	Dec-28-07

**PROPRIETARY:**

Document is the property of XFMRs Group & is not allowed to be duplicated without authorization.

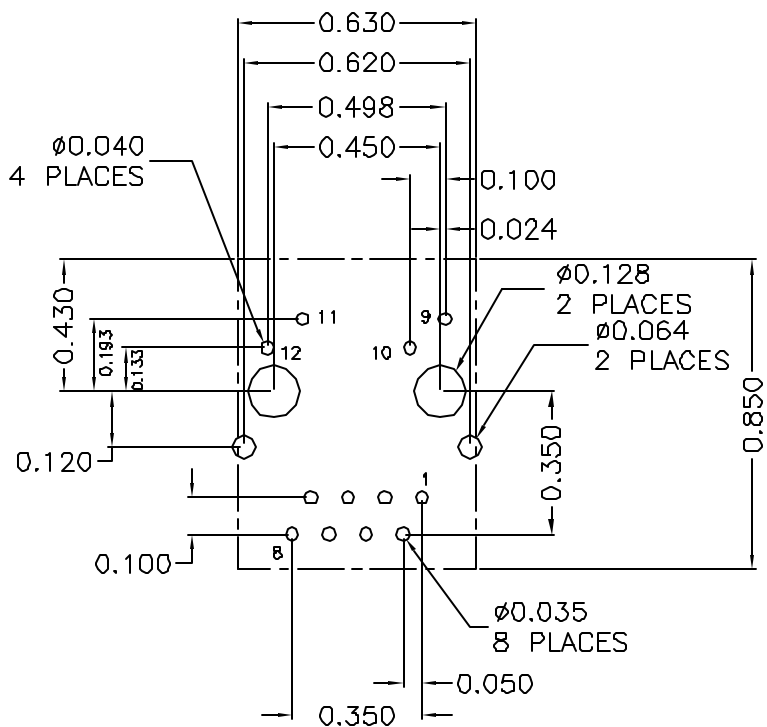
**Mechanical Dimensions:**



(BOTTOM VIEW)

**Mounting Pattern:**

(COMP SIDE)



DOC. REV: B/8

<b>XFMRS Inc.</b> www.XFMRS.com	Title: Mechanical Dimensions For CAXu1-4MS Series		
	UNLESS OTHERWISE SPECIFIED TOLERANCES: .xxx ±0.010 Dimensions in Inch	P/N: XFATM11B-CAXu1-4MS	REV.B
	DWN.	Juan Mao	Dec-29-07
	CHK.	YK Liao	Dec-29-07
SHEET 2 OF 2	APP.	MS	Dec-29-07

**PROPRIETARY:**

Document is the property of XFMRS Group & is not allowed to be duplicated without authorization.