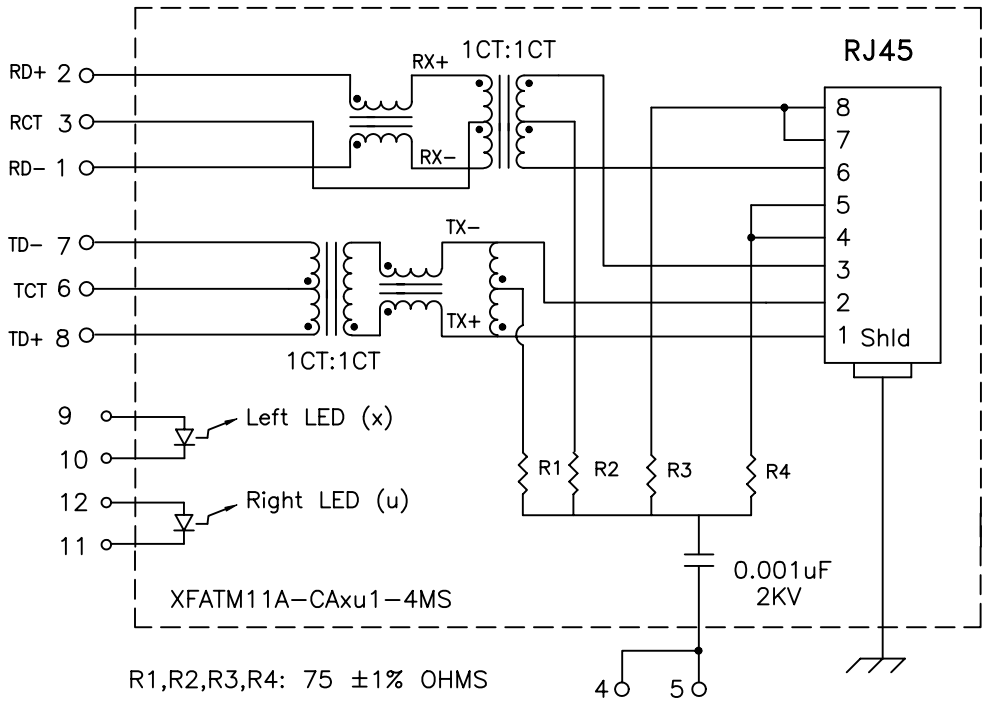


**Schematic:**



R1,R2,R3,R4: 75 ±1% OHMS

**Electrical Specifications: @25°C**

- UTP Impedance: 100 OHMS
- Turns Ratio: TX : 1CT:1CT (±2%)    RX : 1CT:1CT (±2%)
- Isolation Voltage: 1500 VAC (Input to Output)
- UTP Side OCL: 350uH Minimum @100KHz,100mV 8mADC
- Insertion Loss (0.3MHz-100MHz): -1.0dB Maximum
- Return Loss: 1MHz-30MHz    40MHz    50MHz    60MHz-80MHz  
    -18dB Typ    -16dB Typ    -14dB Typ    -12dB Typ
- CMRR: 30MHz    60MHz    100MHz  
                          -35dB Min    -30dB Min    -25dB Min
- Crosstalk: 30MHz    60MHz    100MHz  
                          -50dB Min    -40dB Min    -35dB Min

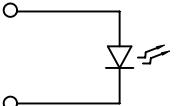
**Notes:**

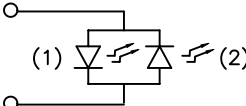
1. Solderability: Leads shall meet MIL-STD-202, Method 208D for solderability.
2. Flammability: UL94V-0
3. ASTM oxygen index: > 28%
4. Insulation System: Class F 155°C. UL file E151556
5. Operating Temperature Range: All listed parameters are to be within tolerance from -40°C to +85°C
6. Storage Temperature Range: -55°C to +125°C
7. Aqueous wash compatible
8. SMD Lead Coplanarity: ±0.004"(0.102mm)
9. Moisture Sensitivity: Level 3
10. Electrical and mechanical specifications 100% tested
11. RoHS Compliant Component

Complete the Combo P/N as follows:

Replace 'x' & 'u' in the part number with one of the LED color letters:

Y=Yellow                    'x' = Left LED Color  
 G=Green                    'u' = Right LED Color  
 A=Amber  
 R=Red  
 C=Green(1)/Amber(2) Bicolor  
 D=Amber(1)/Green(2) Bicolor  
 M=Green(1)/Yellow(2) Bicolor  
 N=Yellow(1)/Green(2) Bicolor  
 P=Red(1)/Green(2) Bicolor  
 Q=Green(1)/Red(2) Bicolor

Single Color LED: 

Bi-Color LED: 

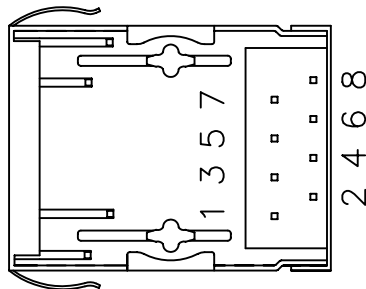
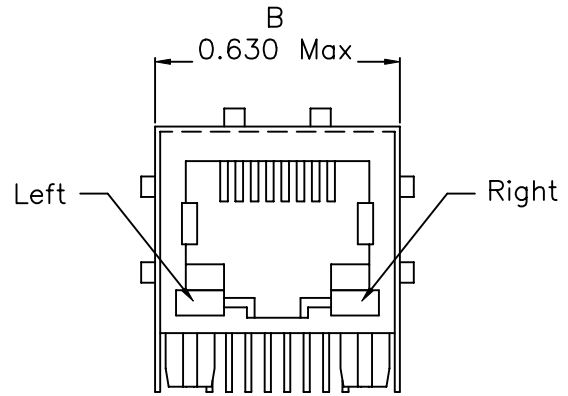
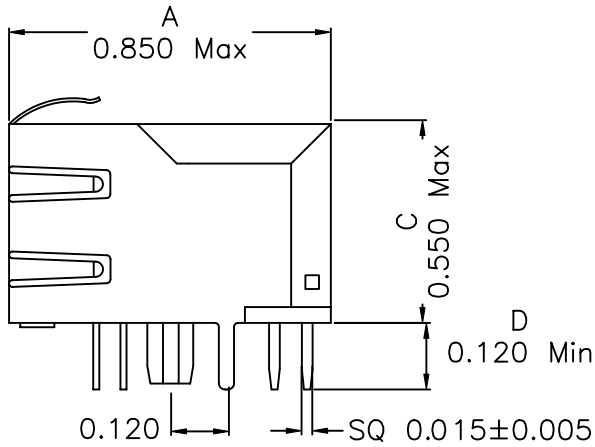
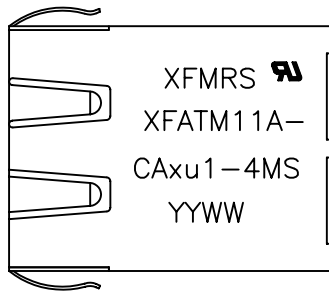
DOC. REV: A/4

<b>XFMRs Inc</b> www.XFMRs.com		Title: <b>SINGLE PORT COMBO</b>	
UNLESS OTHERWISE SPECIFIED TOLERANCES: .xxx ±0.010 Dimensions in Inch	P/N: XFATM11A-CAXu1-4MS		REV. A
	DWN.	廖玉坤	Mar-14-05
	CHK.	李清儿	Mar-14-05
SHEET 1 OF 2	APP.	MS	Mar-14-05

**PROPRIETARY:**

Document is the property of XFMRs Group & is not allowed to be duplicated without authorization.

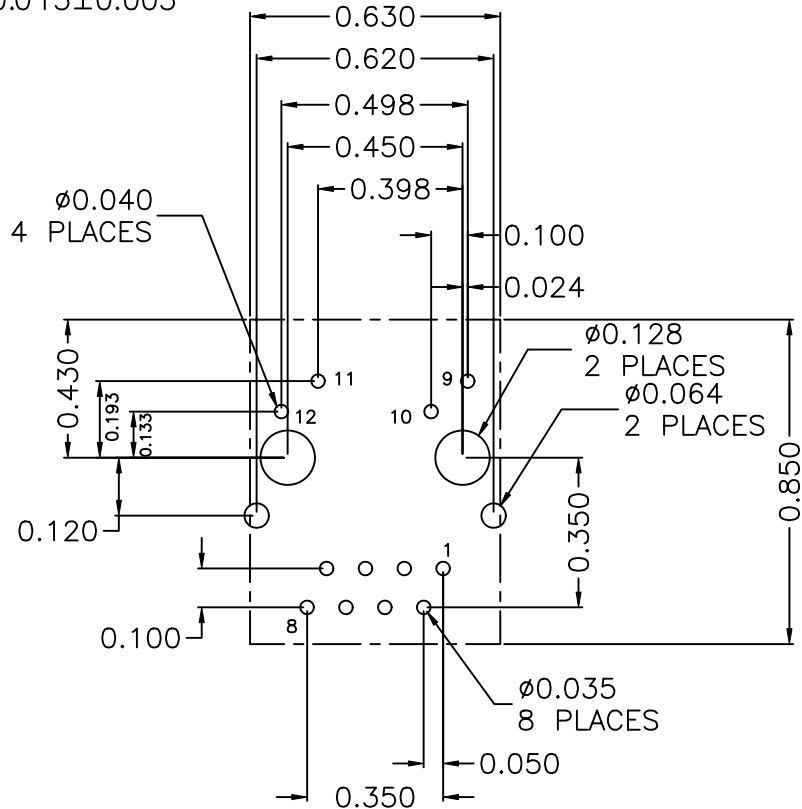
# Mechanical Dimensions:



(BOTTOM VIEW)

## Mounting Pattern:

(COMP SIDE)



DOC. REV: A/4

**XFMR5 Inc**  
www.XFMR5.com

Title: Mechanical Dimensions  
For CAxu1-4MS Series

UNLESS OTHERWISE SPECIFIED  
TOLERANCES:  
.xxx ±0.010  
Dimensions in Inch

P/N: XFATM11A-CAxu1-4MS

REV. A

DWN.

李小锋

Mar-14-05

CHK.

廖玉坤

Mar-14-05

APP.

MS

Mar-14-05

SHEET 2 OF 2

**PROPRIETARY:**

Document is the property of XFMR5 Group & is not allowed to be duplicated without authorization.