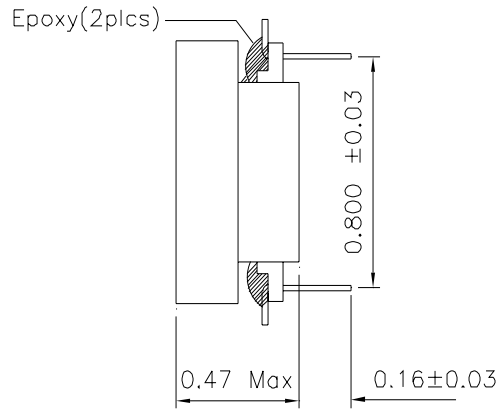
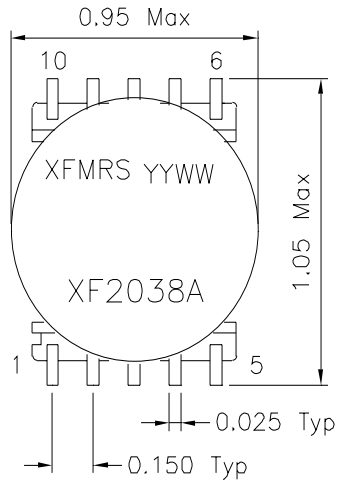
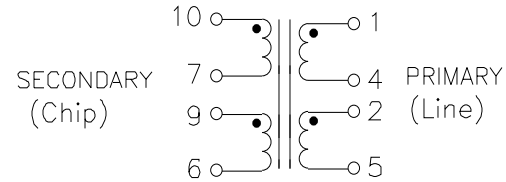


1. Dimensions:



Note: Epoxy covers all exposed wires enroute to pins.

2. Schematic:



3. Electrical Specifications: @25°C

ISOLATION VOLTAGE: 2500Vrms

TURN RATIO: 1:1:1:1±2%

PIN1-5 OCL: 440uH±5% @10KHz 100mV Short PIN2-4

PIN1-5 Leakage L: 15uH Max @100KHz 100mV Short PIN2-4

Secondary Shorted

Pin1-4, PIN2-5 DCR: 0.16 Ohms Maximum

PIN10-7, PIN9-6 DCR: 1.20 Ohms Maximum

THD: -70dB Max @ 40KHz

Long. Bal.: 55dB Min 20KHz to 1.1MHz

Insertion Loss: 3dB Max 40KHz to 2MHz

Freq Resp.: ±3dB 20KHz to 2MHz

UL1950 approval pending for supplementary insulation, 250 working volts. File #E165866

DOC. REV B/1

XFMRS Inc	Title: ADSL TRANSFORMERS		
	UNLESS OTHERWISE SPECIFIED TOLERANCES: .xxx ±0.010	P/N: XF2038A	REV. B
Dimensions in INCH	DWN. 李清儿	CHK. 孙怡	Jun-16-99
SHEET 1 OF 1	APP. Joe Huff		Jun-16-99