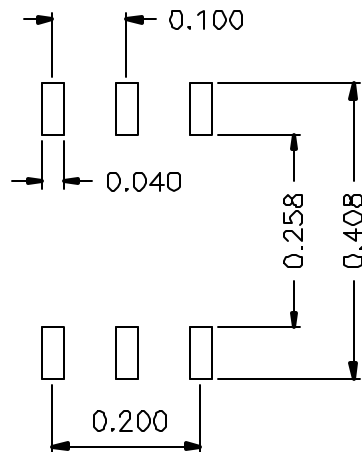
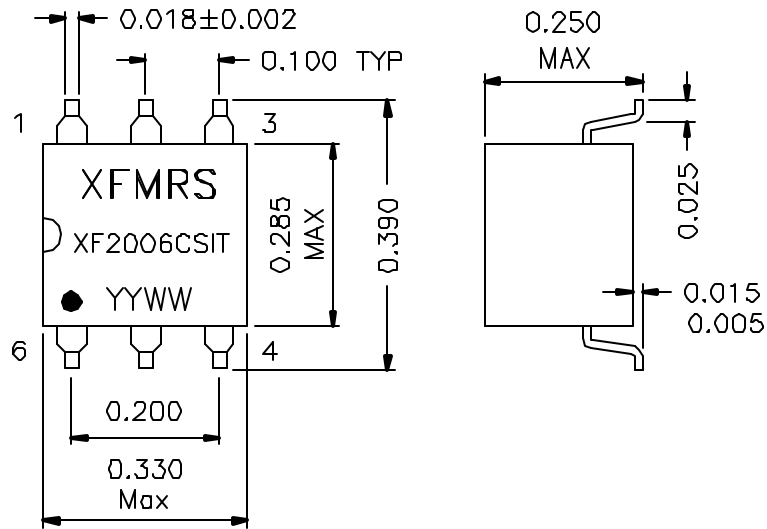
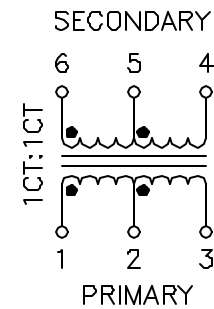


1. Dimensions:



SUGGESTED PCB LAYOUT

2. Schematic:



3. Electrical Specifications: @25°C

ISOLATION: 1500VAC

TURNS RATIO: (PIN1-3):(PIN6-4)=1CT:1CT ±5%

PIN4-6 OCL: 200uH Minimum @100KHz 50mV @ -40°C

PRI LL: 0.2uH Maximum @100KHz 50mV SEC Shorted

Cw/w: 14pF Max. @100KHz 50mV (Pri/Sec)

DCR: 0.700 Ohms Max. each wdg

Operating Temp.: -40 to +85°C

DOC. REV A/1

<b>XFMRs Inc</b>		Title: General Purpose Transformers	
UNLESS OTHERWISE SPECIFIED		P/N: XF2006CSIT	REV. A
TOLERANCES:		DWN.	李清儿 Jul-21-00
.xxx ±0.010		CHK.	孙怡 Jul-21-00
Dimensions in INCH		APP.	Joe Huff Jul-21-00
SHEET 1 OF 1			