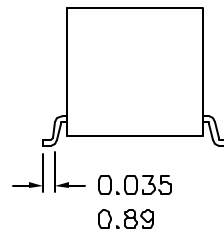
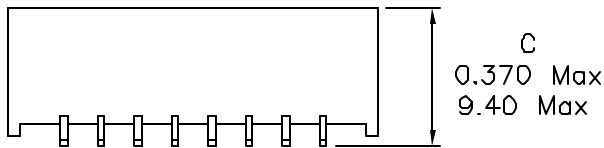
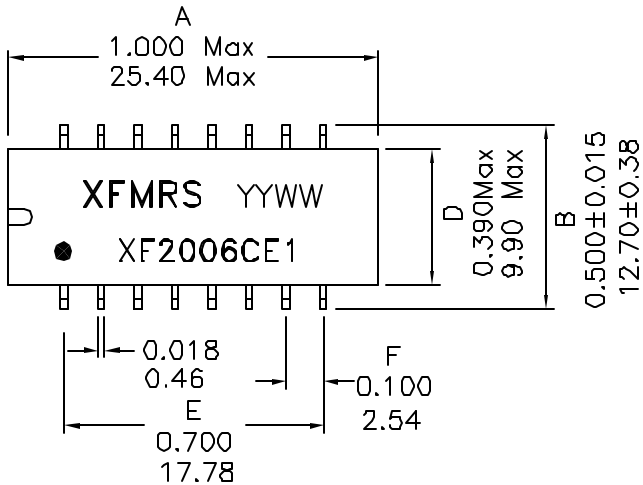
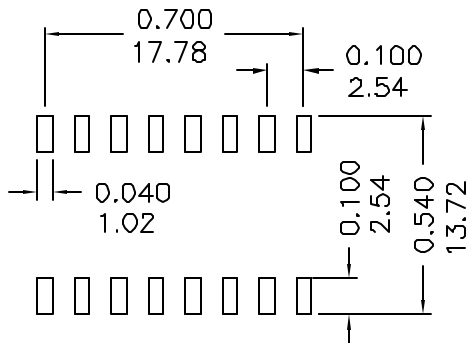


1. Dimensions:



CO-PLANARITY ± 0.004 Max
0.10 Max



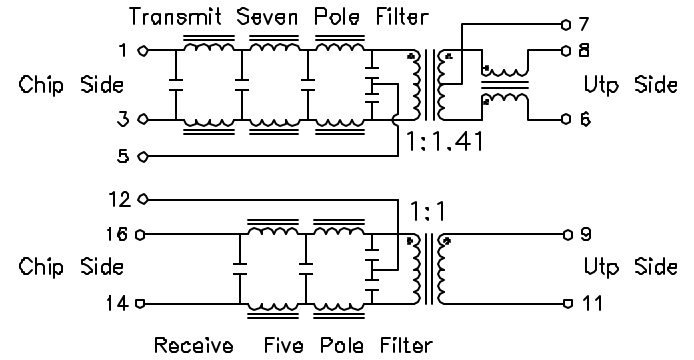
SUGGESTED FOOTPRINT

Notes:

- Solderability: Leads shall meet MIL-STD-202, Method 208D for solderability.
- Flammability: UL94V-0
- ASTM oxygen index: > 28%
- Insulation System: Class F 155°C. UL file E151556
- Operating Temperature Range: All listed parameters are to be within tolerance from -40°C to +85°C
- Storage Temperature Range: -55°C to +125°C
- Aqueous wash compatible
- SMD Lead Coplanarity: ±0.004*(0.102mm)
- Moisture Sensitivity: Level 3
- Electrical and mechanical specifications 100% tested
- RoHS Compliant Component

DOC REV A/1

2. Schematic:



3. Electrical Specifications: @25°C

- Turns ratio: TX: 1:1.41±3% RX: 1:1±3%
- Isolation Voltage: 1500VAC (INPUT/OUTPUT)
- Insertion Loss (1MHz-10MHz): 1.0dB Maximum
- Return Loss (5MHz-10MHz): 17dB Typ, 15dB Min. 98±13 Ohms
- For reference only
17dB Typ, 15dB Min. 100 Ohms
- Attenuation (TX): -30dB Minimum @30 MHz
-27dB Min @40MHz, -27dB Min @100MHz
- Crosstalk: -35dB Min @5-10MHz
- Common mode rejection (TX):
5MHz, 10MHz, 50MHz, 100MHz
-40 -45 -35 -30dB Typ
- TRANSMIT IMPEDANCE: 50:100 OHMS
- RECEIVE IMPEDANCE: 100:100 OHMS
- PACKING: TAPE AND REEL, 250 UNITS PER REEL

PROPRIETARY Document is the property of XFMRs Group & is not allowed to be duplicated without authorization.

XFMRs Inc www.XFMRs.com	Title: 10 BASE-T FILTER		
	UNLESS OTHERWISE SPECIFIED		
TOLERANCES:		P/N: XF2006CE1	REV. A
.xxx ±0.010 Inch	DWN.	廖玉坤	Dec-10-04
Dimensions in Inch/mm	CHK.	李清儿	Dec-10-04
SHEET 1 OF 1	APP.	J Ng	Dec-10-04