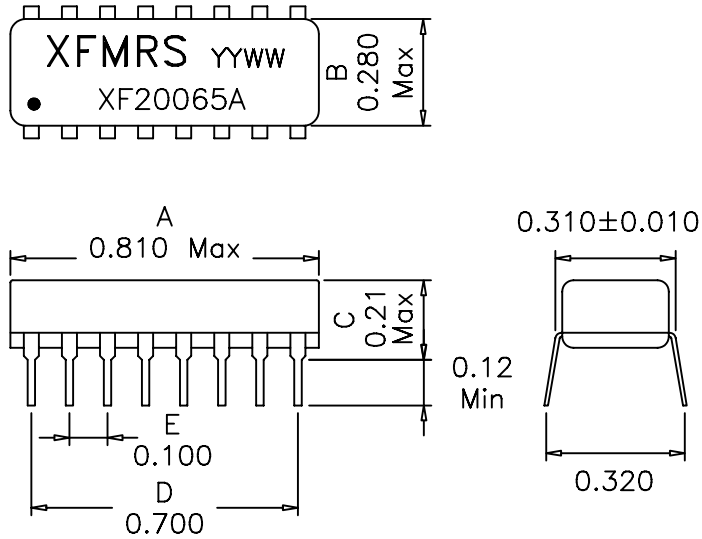
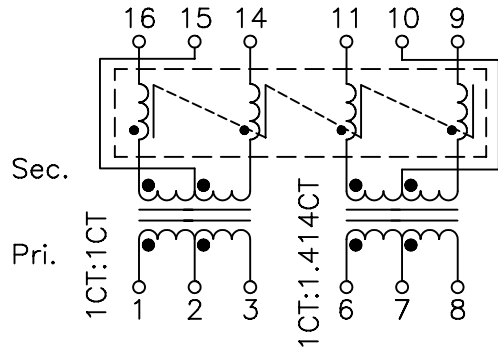


### 1. Mechanical Dimensions:



### 2. Schematic:



### 3. Electrical Specifications: @25°C

- Isolation: 1500Vrms
- URNS RATIO: Pins (1-2-3:16-15-14)=1CT:1CT±2%
- URNS RATIO: Pins (6-7-8:11-10-9)=1CT:1.414CT±2%
- PRI OCL: 200±20%uH @10KHz 0.1V
- CHOKE OCL: 30uH Typ @100KHz 50mV
- CW/W: 15pF Max (PRI/SEC) @100KHz 50mV
- PRI LL: 0.30uH Max @100KHz 50mV, Short SEC
- DCR: 0.900 Ohms Max (PRI & SEC)
- ET CONS.: 3.0 V-us Min.

**Notes:**

1. Solderability: Leads shall meet MIL-STD-202, Method 208D for solderability.
2. Flammability: UL94V-0
3. ASTM oxygen index: > 28%
4. Insulation System: Class F 155°C. UL file E151556
5. Operating Temperature Range: All listed parameters are to be within tolerance from -40°C to +85°C
6. Storage Temperature Range: -55°C to +125°C
7. Aqueous wash compatible
8. SMD Lead Coplanarity: ±0.004"(0.102mm)
9. Moisture Sensitivity: Level 3
10. Electrical and mechanical specifications 100% tested
11. RoHS Compliant Component

DOC REV: C/3

<b>XFMRs Inc</b> www.XFMRs.com		Title: 10 BASE-T ISOLATION MAGNETICS	
UNLESS OTHERWISE SPECIFIED TOLERANCES: .xxx±0.010 inch Dimensions in INCH		P/N: XF20065A	REV. C
SCALE 2:1 SHT 1 OF 1		DWN. 李清儿	Apr-14-05
		CHK. 孙小悦	Apr-14-05
		APP. Isaiah M	Apr-14-05

**PROPRIETARY** Document is the property of XFMRs Group & is not allowed to be duplicated without authorization.