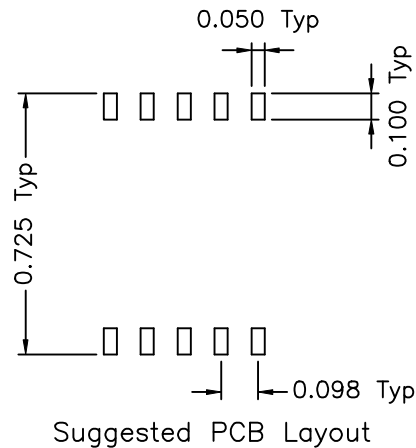
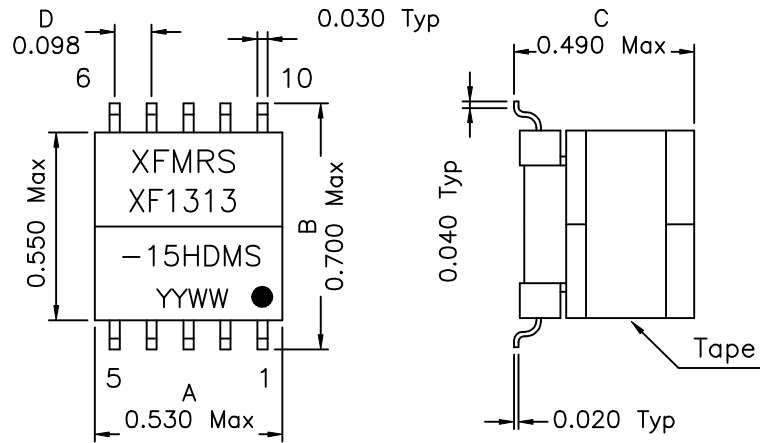


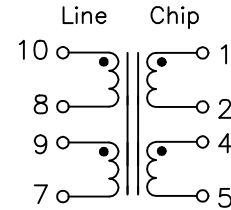
1. Dimensions:



Note:

1. Solderability: Leads shall meet MIL-STD-202, Method 208D for solderability.
2. Flammability: UL94V-0,
3. ASTM oxygen index: > 28% ,
4. Temperature rating: 155°C. UL file E151556,
5. Operating Temperature Range: 0°C to +70°C

2.Schematic:



3.Electrical Specifications: @25°C

PIN10-7 OCL: 5.0mH ±10% @10KHz 0.1V 0mA_{dc}
(CONNECT PIN8-9)

PIN10-7 LL: 12uH Max @100KHz 100mV
(CONNECT PIN 8+9, 1,2,4,5)

URNS RATIO: (10-7):(1-5) = 2.125:1±1% tie(8+9, 2+4)

DC Res.: Pins 1-2 0.350 Ohms Max

DC Res.: Pins 10-8 1.75 Ohms Max

DC Res.: Pins 9-7 1.75 Ohms Max

DC Res.: Pins 4-5 0.400 Ohms Max

ISOLATION VOLTAGE: 2000V_{rms} (Chip to Line)

OPERATING TEMP: -40°C TO 85°C

UL1950 approved for the requirements of
Supplementary Insulation with 300 working volts.
UL file #E165866

DOC. REV A/1

XFMRS Inc	Title: HDSL TRANSFORMER		
	UNLESS OTHERWISE SPECIFIED		P/N: XF1313-15HDMS
	TOLERANCES:		REV. A
	.xxx ±0.010		
Dimensions in INCH	DWN.	廖玉坤	Jun-05-01
	CHK.	李清儿	Jun-05-01
SHEET 1 OF 1	APP.	BW	Jun-05-01