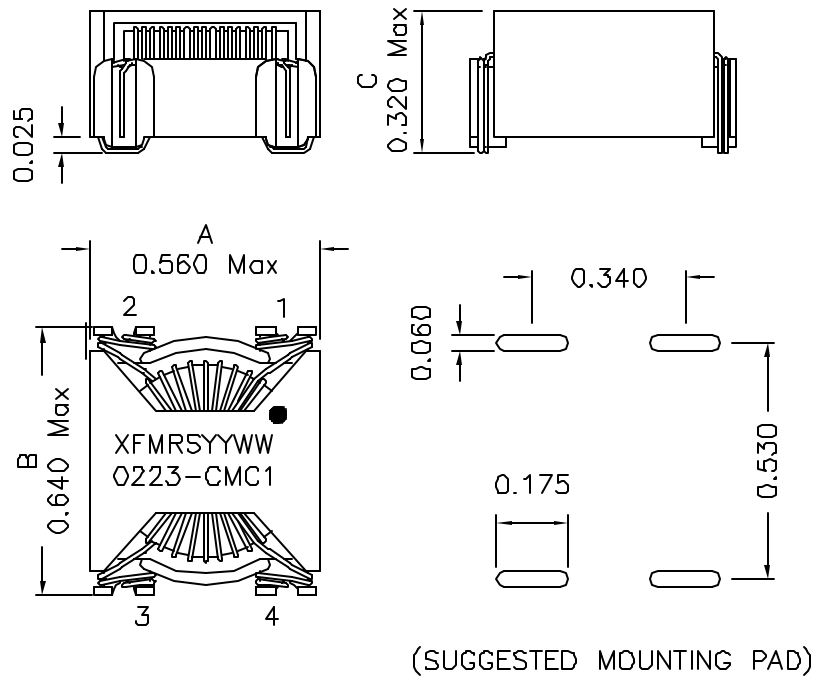


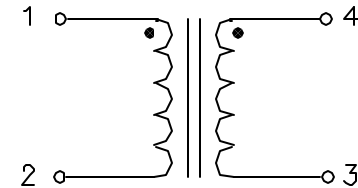
1. Mechanical Dimensions:



Notes:

1. Solderability: Leads shall meet MIL-STD-202G, Method 208H for solderability.
2. Flammability: UL94V-0
3. ASTM oxygen index: > 28%
4. Insulation System: Class F 155°C, UL file E151556
5. Operating Temperature Range: All listed parameters are to be within tolerance from -40°C to +85°C
6. Storage Temperature Range: -55°C to +125°C
7. Aqueous wash compatible
8. SMD Lead Coplanarity: $\pm 0.004^*(0.102\text{mm})$
9. Electrical and mechanical specifications 100% tested
10. RoHS Compliant Component
11. 260°C IR Reflow Compatible

2. Schematic:



3. Electrical Specification:

OCL: 22mH \pm 25% @10KHz 1.0V, Each Wdg
 Rated Current: 0.50A (For 55°C Temp Rise)
 DCR: 0.850 Ohms Max, Each Wdg
 Turns Ratio: 1:1 \pm 2%
 Hipot: 1500Vac, Wdg to Wdg 1 Sec
 Rated Voltage: 250Vac

DOC REV: A/4

PROPRIETARY Document is the property of XFMRS Group & is not allowed to be duplicated without authorization.

XFMRS Inc. www.XFMRS.com	Title: Common Mode Choke		
	UNLESS OTHERWISE SPECIFIED TOLERANCES: .xxx ± 0.010 INCH Dimensions in INCH	P/N: XF0223-CMC1	REV. A
SHEET 1 OF 1	DWN.	Juan Mao	Dec-03-08
	CHK.	YK Liao	Dec-03-08
	APP.	BW	Dec-03-08