

The **SM6471-43** is a 6.4 to 7.1 GHz solid state GaAs FET amplifier designed for various commercial and military applications. The amplifier provides 55 dB of linear gain with a P1dB of +43 dBm. It is available in modular form (standard), as a lab unit or in 19" rack mountable form.

Features

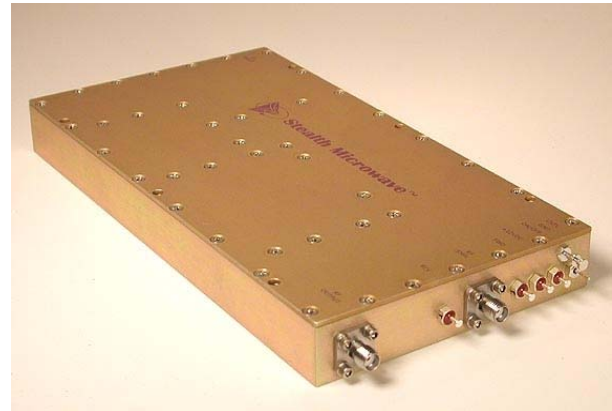
- Integrated Linearizer
- Single Power Supply
- Over Voltage Protection
- Thermal Protection with Auto Reset
- Temperature Compensation

Options

- Forward/Reverse Power Detection
- RF Sampling Port
- Pulse Control with switching speeds up to 100 kHz
- Logic On/Off Control
- Integral Heatsink

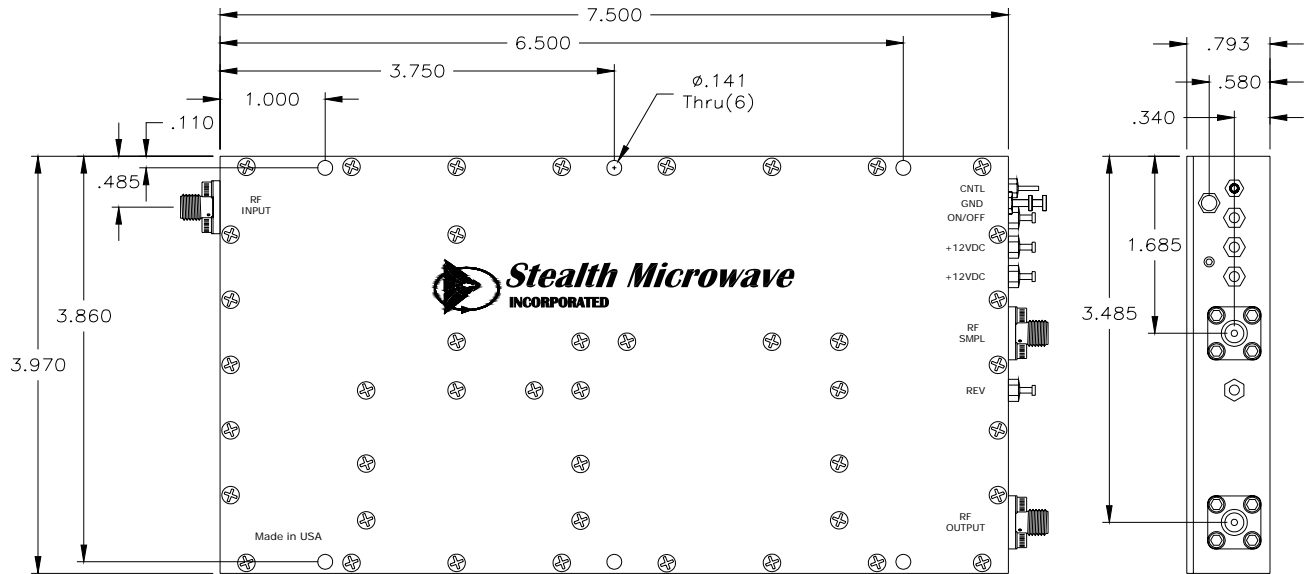
Configurations

- Module
- Laboratory Unit
- 19" Rack Mount

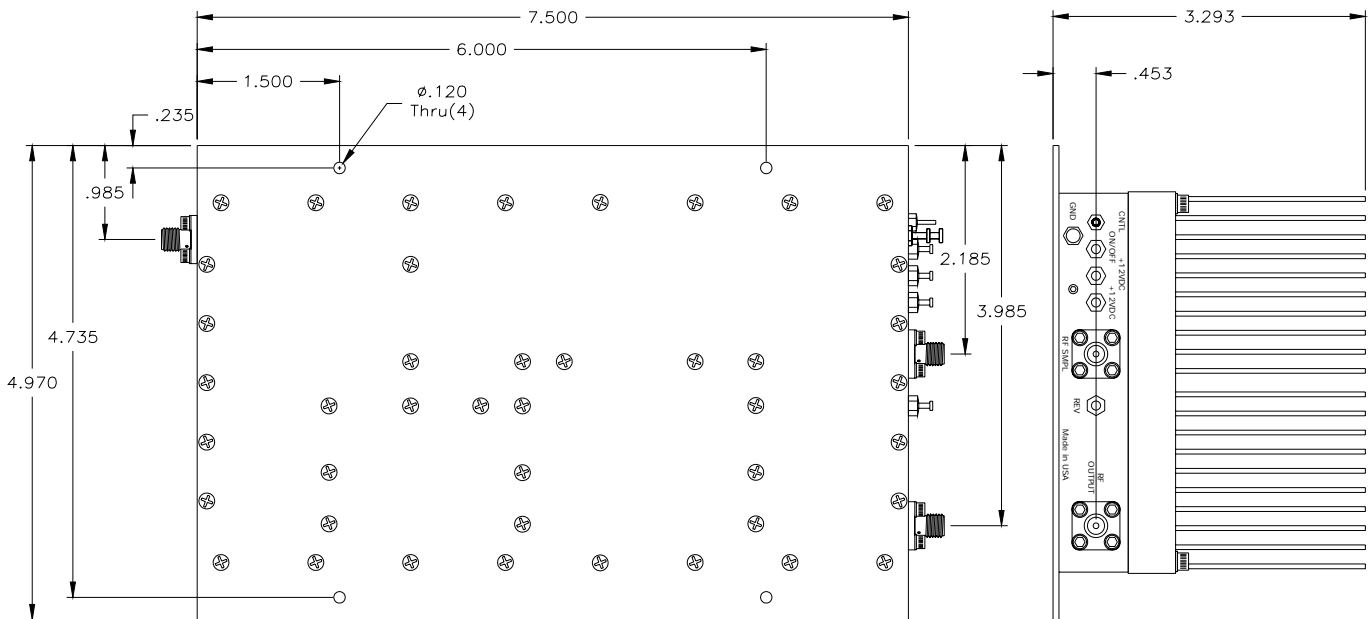


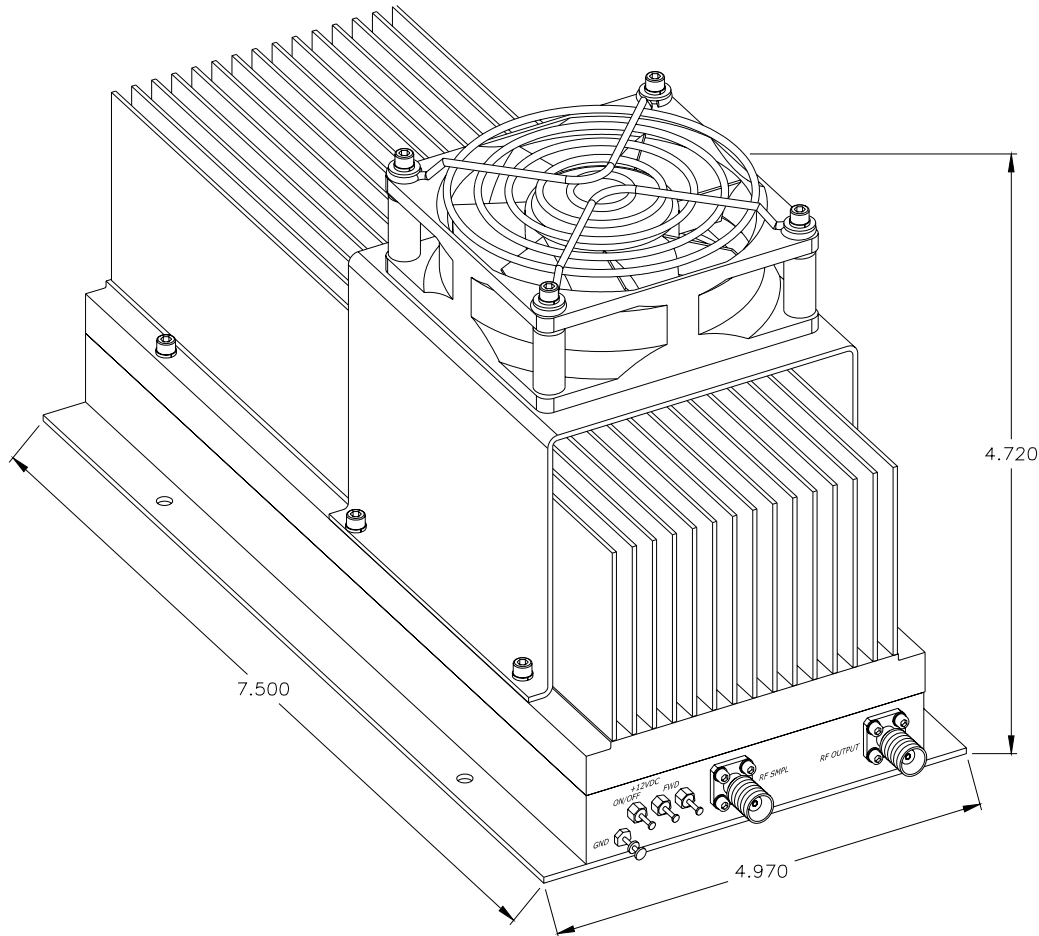
Parameter	Specification
Frequency Range	6.425 – 7.125 GHz
Pout (P1dB)	+43 dBm
Output Third Order Intercept Point (OIP3)	+54 dBm
Linear Gain	57 dB ± 1 dB
Gain Flatness (over full band)	± .75 dB
Gain Change (over temperature)	± .5 dB
Input/Output Return Loss	-16 dB / -16dB
DC Input Voltage	+12 Volts
DC Input Current	9.2 Amperes (operational)
Mechanical Dimensions	7.50 x 3.97 x .79 inches H=3.3 inches with heatsink
RF Connectors	SMA Female
Operating Temperature	0°C to +55°C
Operating Humidity	95% Non-condensing
Operating Altitude	Up to 10,000 feet above Sea Level

DIMENSIONS IN INCHES



HEATSINK OPTION



HEATSINK & FAN OPTION


Pin	Description	Values
RF INPUT	Input Connector (SMA Female)	- 13 dBm (max.)
RF OUTPUT	Output Connector (SMA Female)	+ 42.5 dBm @ P1dB
RF SAMPLE	RF Sample Port (SMA Female)	30 dB
GND	Ground Turret	---
FWD	Forward Power Detector	+ 39 dBm Output Power \approx + 5.0 Volts
REV	Reverse Power Detector	∞ VSWR @ + 39 dBm \approx + 4.0 Volts
+12VDC	DC Input Voltage	+ 12 Volts @ 9.2 Amperes. (operational)
ON/OFF	TTL Logic On/Off	0 Volts = Off, + 5 Volts = On
CNTL	TTL Pulse Control	Rates up to 100 kHz

Specifications subject to change without notice.