



Model No.	OST18FD09GD- XXXXT531B
REV.	C1

T18-09LAMPS AUTO LED

Descriptions:

- Green light source, fast response
- Long life, easy installation
- Voltages available 12VDC
- LED model number: XXXXT531B

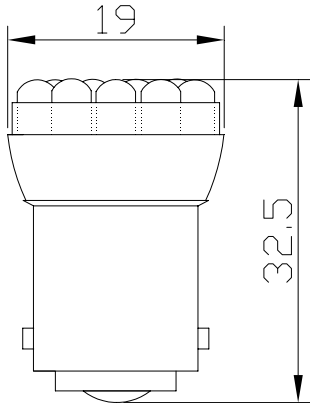
Features:

- Available in red, yellow, green, blue, white and more
- Low power consumption
- Energy saving
- no stroboflash, no radiation
- Long life

Application:

- Turn Light
- Brake Light

Product Picture and Dimensions:



Unit:mm



Model No.	OST18FD09GD- XXXXT531B
REV.	C1

Device Selection Guide

Module No.	Color	Wavelength (Typ.)	Intensity / Per LED (Typ.)	Totality Luminous Intensity (Typ.)
R5RUT831A	Red	625 nm	3200mcd	8.4lm
G5DUT831A	Green	525 nm	34500mcd	20.5lm
B5YUT831A	Blue	470 nm	7500mcd	5.0lm
Y5RUT831A	Yellow	590 nm	3200mcd	8.0lm
W5YKT831A	White	X=0.27,Y=0.28	15000mcd	15.2lm

Absolute Maximum Ratings(Ta=25)

Items	Symbol	Values	Units
Operating supply range(DC)	V _{idc}	16	V
Input Current (DC)	I _i	100	mA
Power Dissipation	P _a	1.6	W
Operating Temperature	T _{ope}	-20 ~ +50	DegC
Storage Temperature	T _{stg}	-20 ~ +80	DegC

Typical Performance (Ta=25)

Items	Symbol	Min.	Typ.	Max.	Units
LED Module Power	P _m	-	0.6	1.6	w
Input Voltage(DC)	V _i	-	12	16	V
Product input Current	I _f	-	50	100	mA
Beam Pattern	BP	-	30	-	Deg
Total diameter of PCB	L _{mod.}	-	32.5	-	mm
Net Weight	Wei.	---	7.5	-	g