

MDT7820

Voltage Detector

4. Pin Function Description

1. General Description

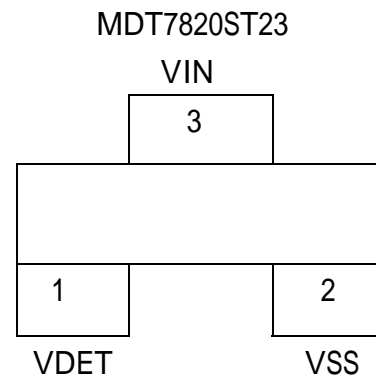
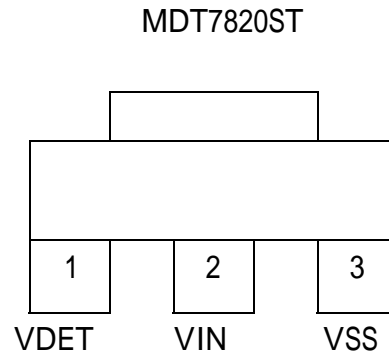
MDT7820 is a voltage detector which can generate a low level signal whenever the input voltage (supply voltage) falls below threshold voltage level (2.0v).

2. Features

- Low detectable voltage 2.0V
- Low power consumption
- Built-in hysteresis characteristic

3. Applications

- Battery detectors
- Power checkers
- Micro-controller reset



Pin Name	I/O	Function
VSS		Ground
VDET	Open Drain	Supply voltage detector. Output low if $V_{in} < 2.0V$.
VIN	Input	Supply voltage input

ORDERING INFORMATION

Device	Package
MDT7820ST	SOT89
MDT7820ST23	SOT23

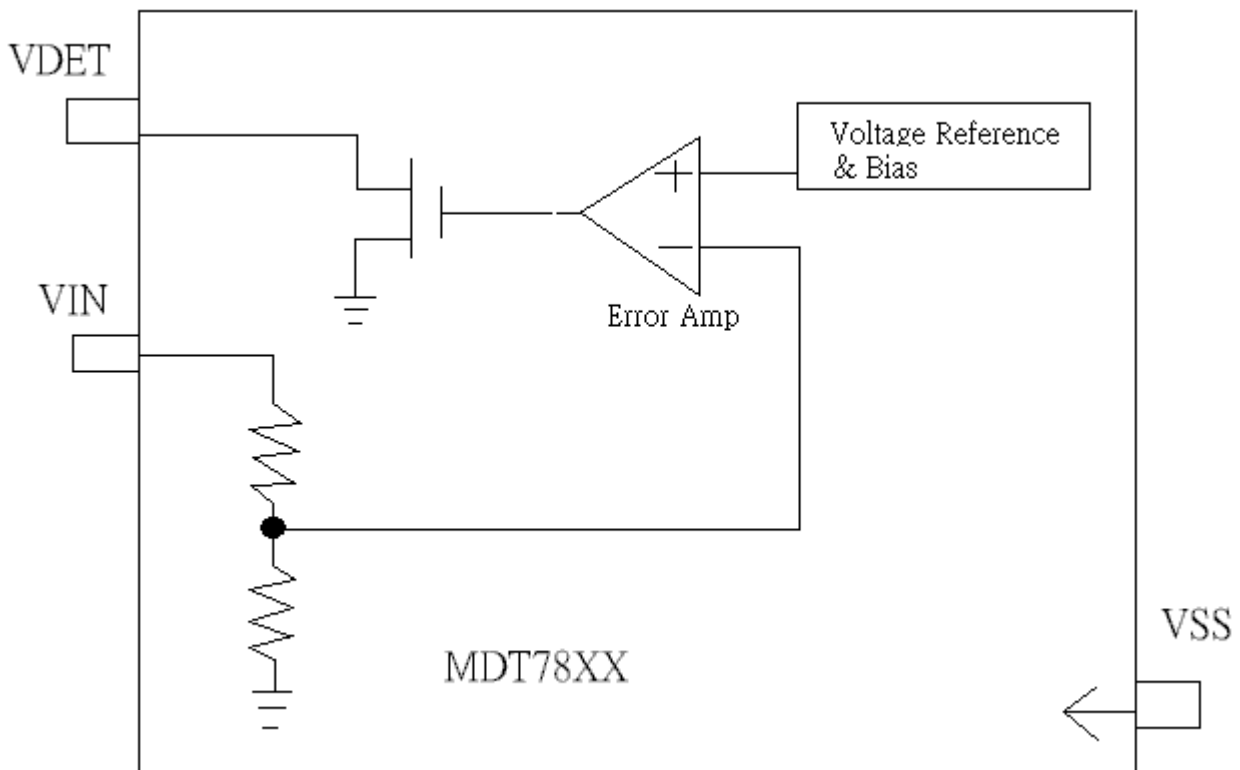
MDT7820

Voltage Detector

5. Electrical Characteristics

Parameter	Test Conditions	Min.	Typ.	Max.	Unit
Low Battery Detect Voltage (LBDV)	HI to LOW Detectable Voltage	1.9	2.0	2.1	V
	LOW to HI Detectable Voltage	2.0	2.1	2.2	V
LBDV hysteresis Width	-----	0.5	0.1	0.15	V
Ivin	No load		2	5	uA
Vin Operating Voltage	-----	1.2		7	V
VDET Sink Current	VIN=2V		9		mA

6. Application Circuit & Block Diagram



MDT7820

Voltage Detector

EXTERNAL COMPONENT : RPU=47K

