

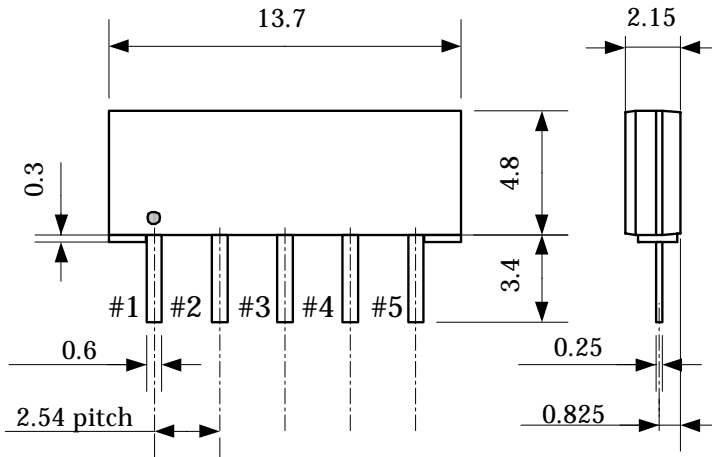
Customer Name	Standard specification	FUJITSU MEDIA DEVICES LIMITED	
Application	IF Filter for Terrestrial-TV		
System	Japan		
Picture Carrier Frequency	57.00 MHz	DATE	Jul. 05 2005
FMD Part Number	FAR-F4SE-57M000-H0J6	Version	2.0

Table 1 Proposal Specification (Ta=25°C(45°C))

Items	Conditions	Specification			Unit	Remarks
		Min.	Typ.	Max.		
Insertion Loss	57.08 (57.00) MHz	11.0	12.5	13.0	dB	
Relative level	42.28 ~ 47.88 MHz (42.20 ~ 47.80 MHz)	–	- 55	- 47	dB	
	42.47 (42.39) MHz	–	- 66	- 48	dB	
	46.97 (46.89) MHz	–	- 67	- 49	dB	
	48.47 (48.39) MHz	–	- 53	- 46	dB	
	52.97 (52.89) MHz	–	- 42	- 36	dB	
	53.88 (53.80) MHz	–	- 16	- 12	dB	
	54.27 (54.19) MHz	- 3.6	- 2.6	- 1.6	dB	
	57.08 (57.00) MHz	–	0	–	dB	Reference
	59.89 (59.81) MHz	- 4.2	- 3.2	- 2.2	dB	
	60.28 (60.20) MHz	–	- 19	- 13	dB	
	60.47 (60.39) MHz	–	- 39	- 28	dB	
	64.97 (64.89) MHz	–	- 56	- 46	dB	
	70.97 (70.89) MHz	–	- 55	- 47	dB	
	67.28 ~ 83.88 MHz (67.20 ~ 83.80 MHz)	–	- 52	- 46	dB	
Amplitude ripple (p-p)	54.58 ~ 59.58 MHz (54.50 ~ 59.50 MHz)	–	0.5	–	dB	
Group delay ripple (p-p)	54.27 ~ 59.89 MHz (54.19 ~ 59.81 MHz)	–	31	–	ns	
Input Impedance	57.08 MHz	–	1.1//11.0	–	kΩ//pF	
Output Impedance	57.08 MHz	–	1.2//3.5	–	kΩ//pF	
Temperature coefficient		–	-72	–	ppm/°C	

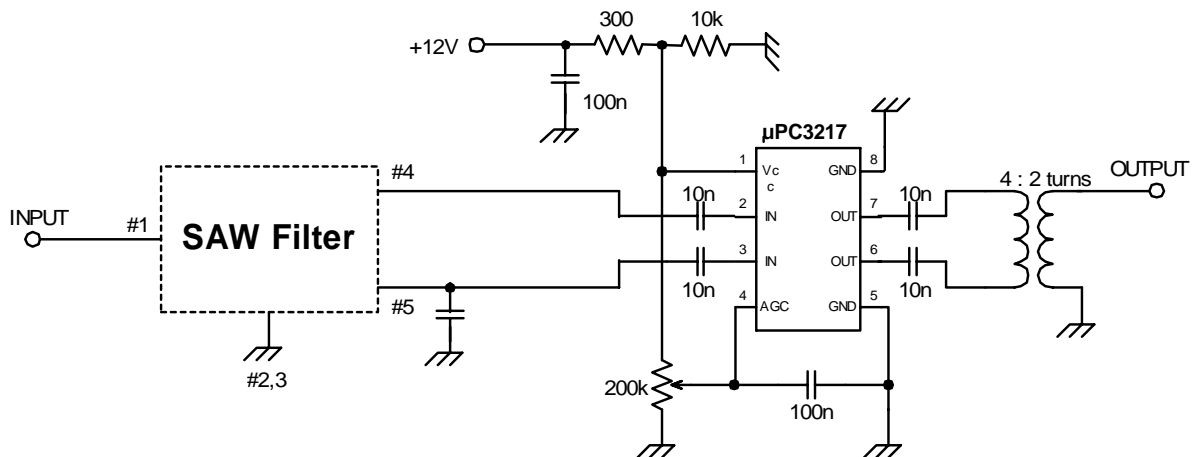
Customer Name	Standard specification	FUJITSU MEDIA DEVICES LIMITED	
Application	IF Filter for Terrestrial-TV		
System	Japan		
Picture Carrier Frequency	57.00 MHz	DATE	Jul. 05 2005
FMD Part Number	FAR-F4SE-57M000-H0J6	Version	2.0

1. Pin assignment of plastics Package



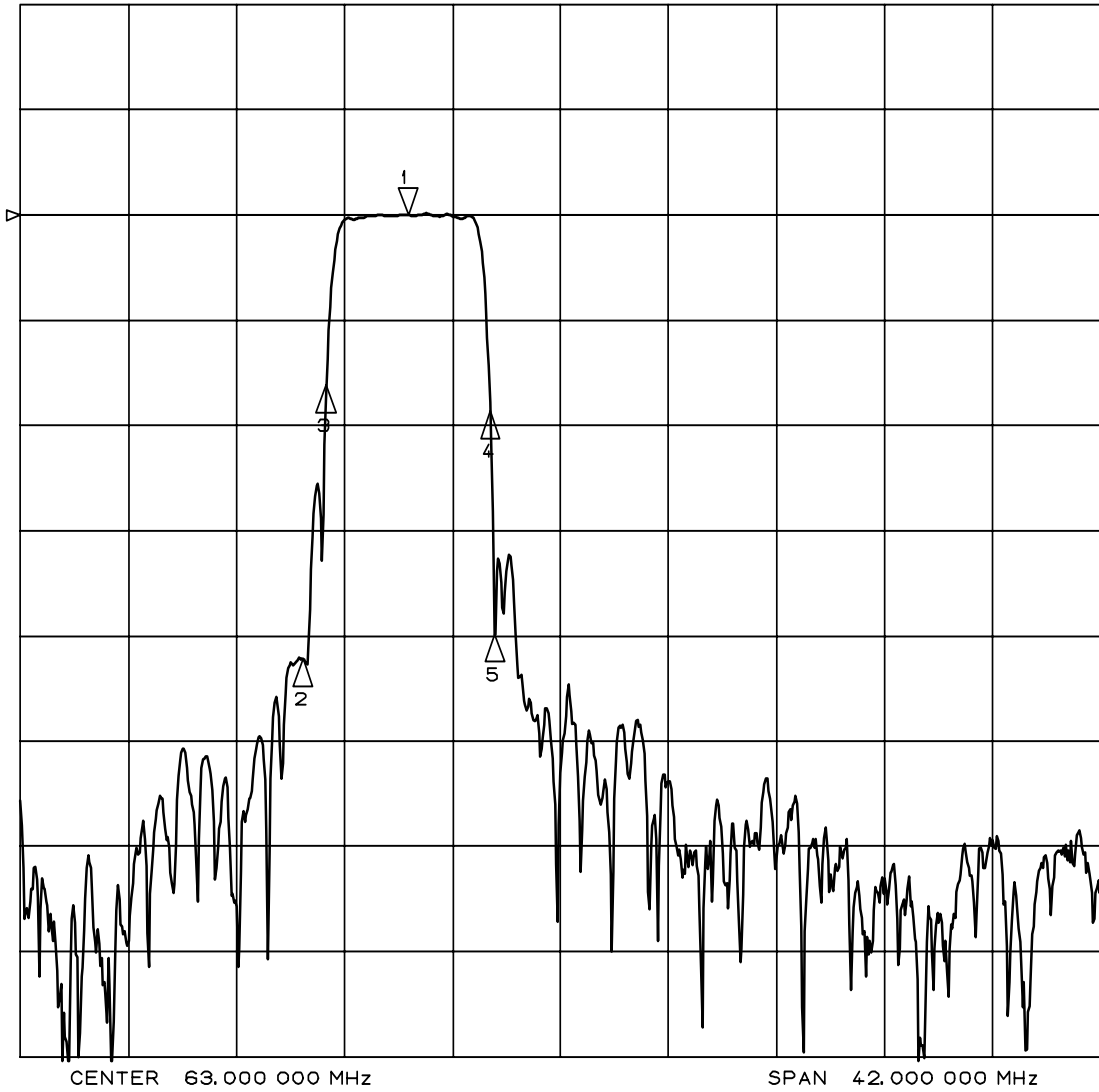
Pin No.	Pin name	Description
1	IN	input pin
2	IN	input pin (Ground)
3	GND	Ground pin
4	OUT	output pin
5	OUT	output pin

2. Measurement circuit



Customer Name	Standard specification	FUJITSU MEDIA DEVICES LIMITED	
Application	IF Filter for Terrestrial-TV		
System	Japan		
Picture Carrier Frequency	57.00 MHz	DATE	Jul. 05 2005
FMD Part Number	FAR-F4SE-57M000-H0J6	Version	2.0

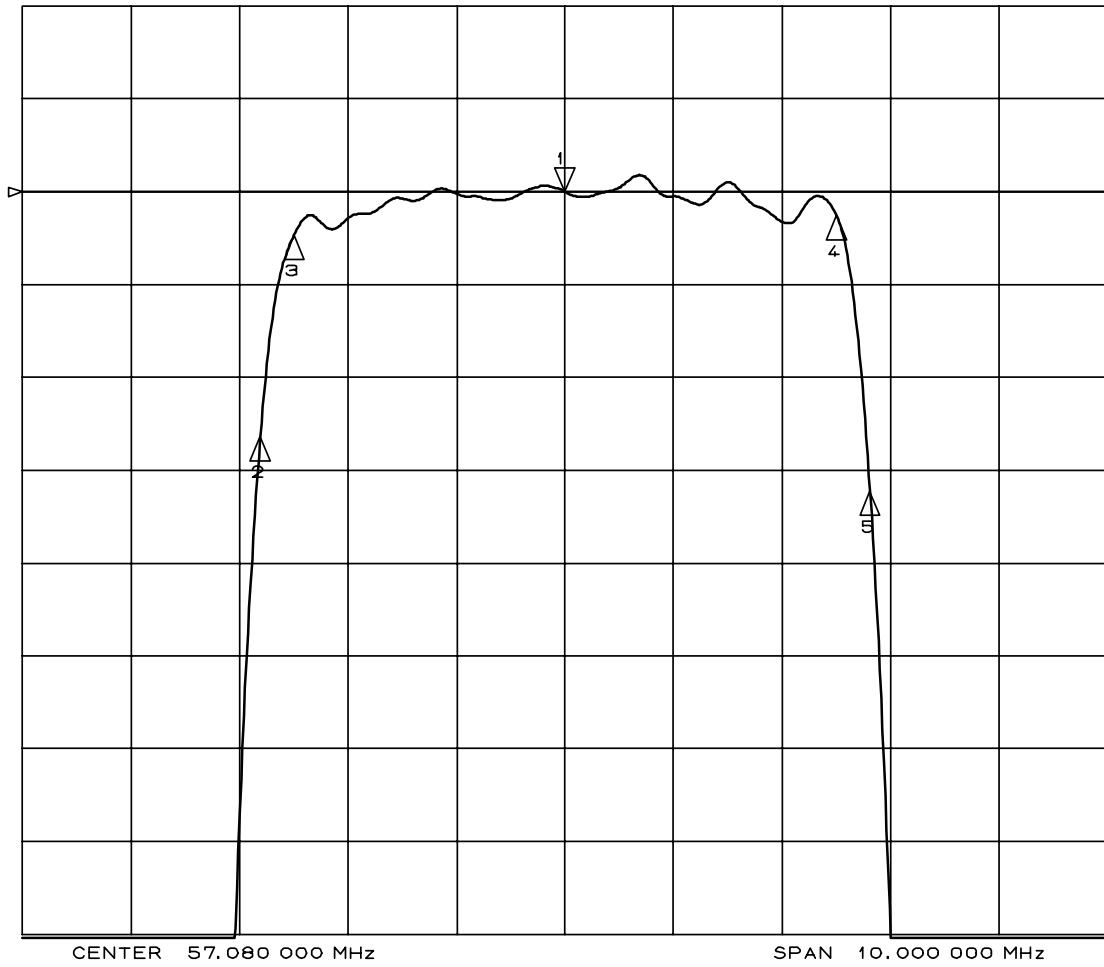
Amplitude Response (10dB/div)



- Marker 1 = 57.08 MHz
- Marker 2 = 52.97 MHz
- Marker 3 = 53.88 MHz
- Marker 4 = 60.28 MHz
- Marker 5 = 60.47 MHz

Customer Name	Standard specification	FUJITSU MEDIA DEVICES LIMITED	
Application	IF Filter for Terrestrial-TV		
System	Japan		
Picture Carrier Frequency	57.00 MHz	DATE	Jul. 05 2005
FMD Part Number	FAR-F4SE-57M000-H0J6	Version	2.0

Amplitude Response (1dB/div)

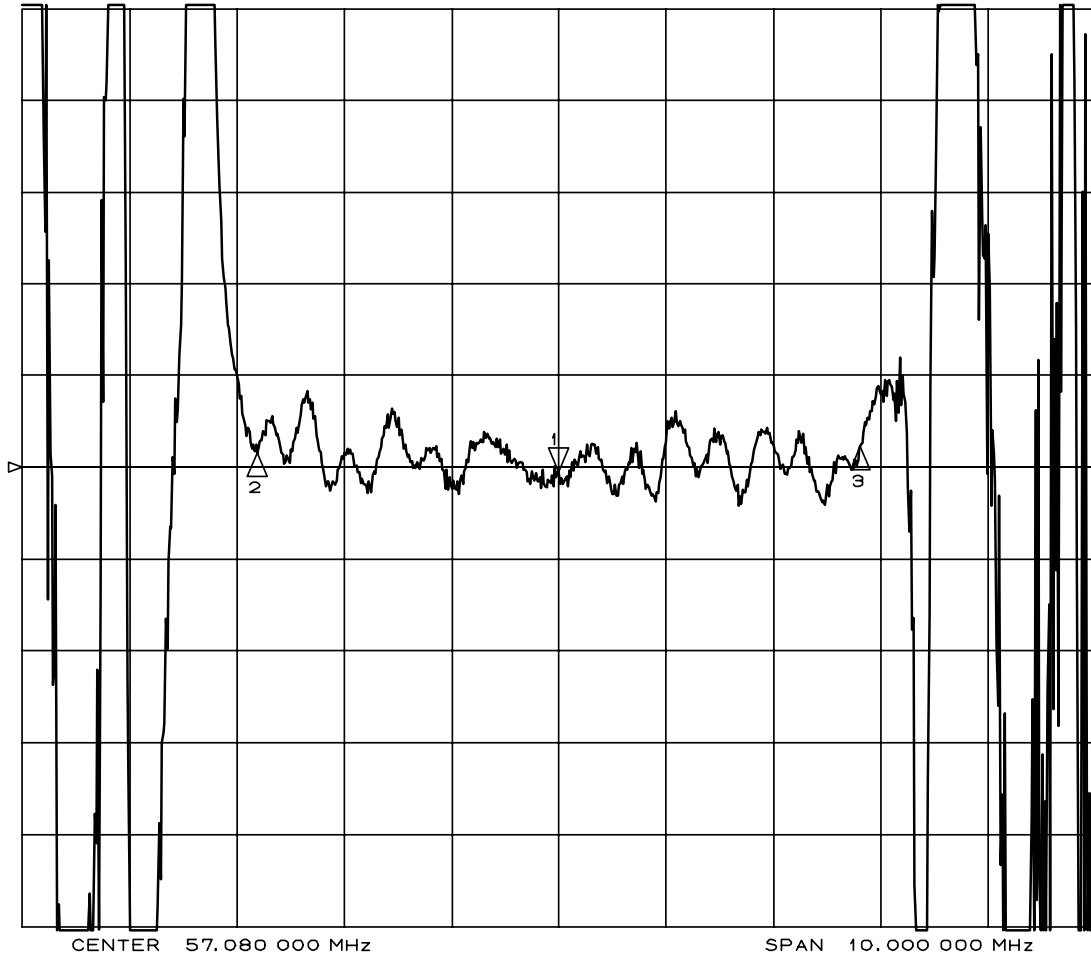


- Marker 1 = 57.08 MHz
- Marker 2 = 54.27 MHz
- Marker 3 = 54.58 MHz
- Marker 4 = 59.58 MHz
- Marker 5 = 59.89 MHz

Customer Name	Standard specification	FUJITSU MEDIA DEVICES LIMITED	
Application	IF Filter for Terrestrial-TV		
System	Japan		
Picture Carrier Frequency	57.00 MHz	DATE	Jul. 05 2005
FMD Part Number	FAR-F4SE-57M000-H0J6	Version	2.0

Group Delay (50ns/div)

Delay Aper.=200kHz



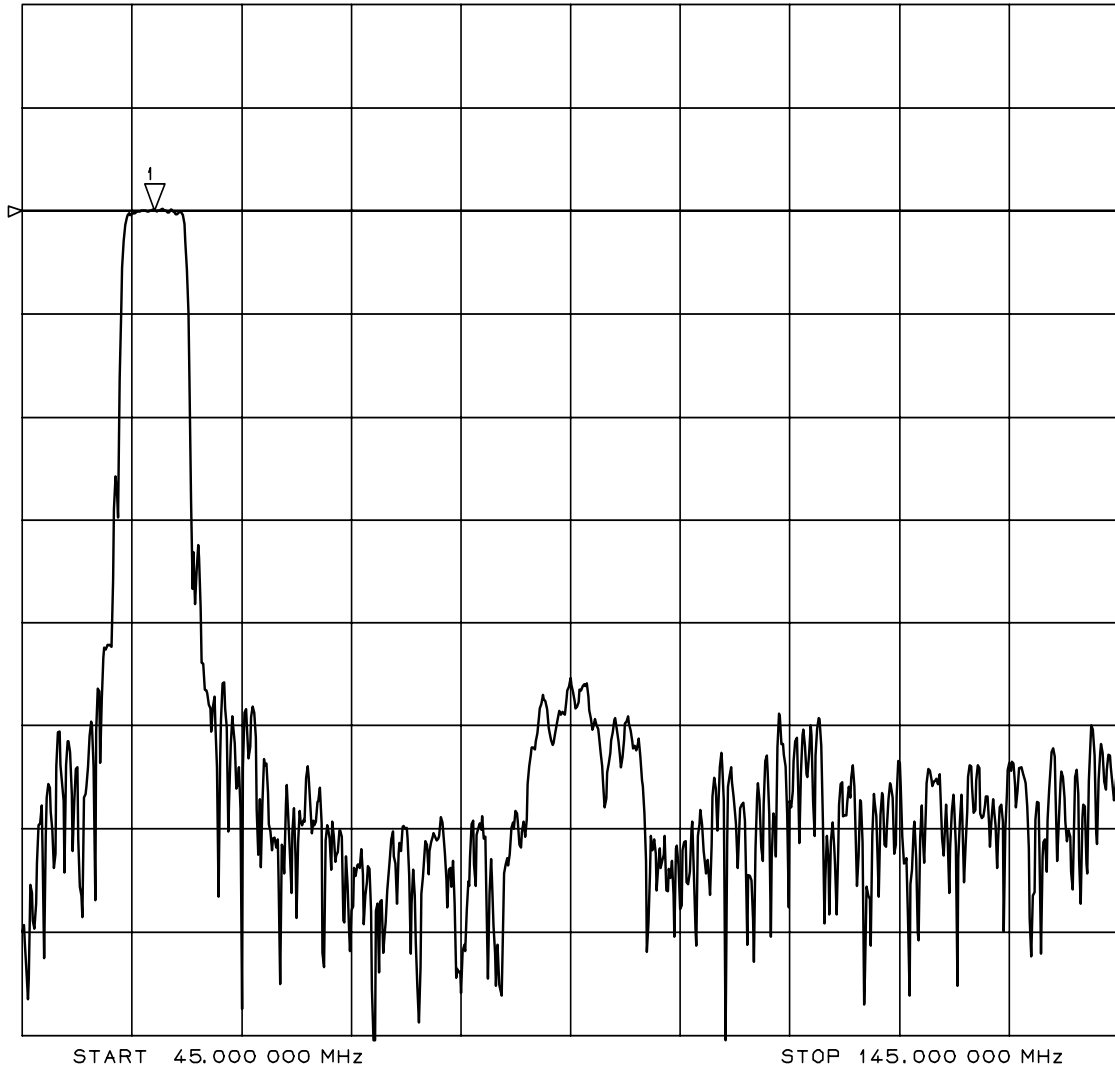
Marker 1 = 57.08 MHz

Marker 2 = 54.27 MHz

Marker 3 = 59.89 MHz

Customer Name	Standard specification	FUJITSU MEDIA DEVICES LIMITED	
Application	IF Filter for Terrestrial-TV		
System	Japan		
Picture Carrier Frequency	57.00 MHz	DATE	Jul. 05 2005
FMD Part Number	FAR-F4SE-57M000-H0J6	Version	2.0

Amplitude Response (10dB/div)
(45.0MHz ----- 145.0MHz)



Marker 1 = 57.08 MHz

Customer Name	Standard specification	FUJITSU MEDIA DEVICES LIMITED	
Application	IF Filter for Terrestrial-TV		
System	Japan		
Picture Carrier Frequency	57.00 MHz	DATE	Jul. 05 2005
FMD Part Number	FAR-F4SE-57M000-H0J6	Version	2.0

Time domain Response (10dB/div)

