

FEATURES

- Cispr 22'B', Vcci'B', Fcc'B' Compliance
- Compact Size: (L)120*(W)60*(H)34mm
- Efficiency Over 75%
- Over-Voltage Protective Installation
- Short-circuit Protective Installation
- Protection Type: Auto-Recover
- IEC-320 Receptacle 3P



SPECIFICATION

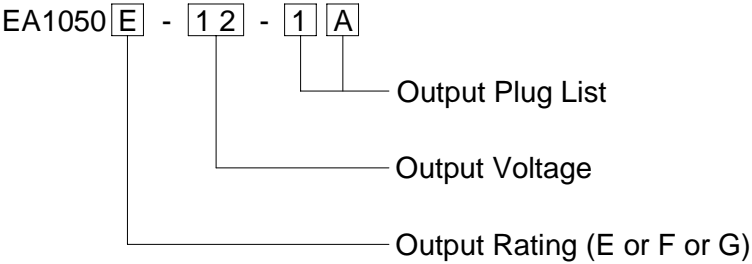
Item \ Model	EA1050E-xx	EA1050F-xx	EA1050G-xx
Output Voltage	+12V~17V	+12V~17V	+12V~17V
Output Rating	3.5A or 42W Max	3.0A or 36W Max	2.5A or 30W Max
Input Voltage	AC 90~264V		
Input Frequency	47~63Hz		
Input Current	1.5A Maximum		
Inrush Current	80A Maximum		
Line Regulation	2% Maximum		
Load Regulation	± 5%		
Ripple & Noise	1% Typical		
Efficiency	77% Typical		
Temperature Coefficient	0.05%/°C		
Over-Voltage Protection	16V~20V Maximum		
Operating Temperature	0~40°C		
Storage Temperature	-20~85°C		
Safety Description	UL, CUL, TUV, CE, PSE, D.F.N.S., CB, FCC		

(*): Under Development (I/P): In Process

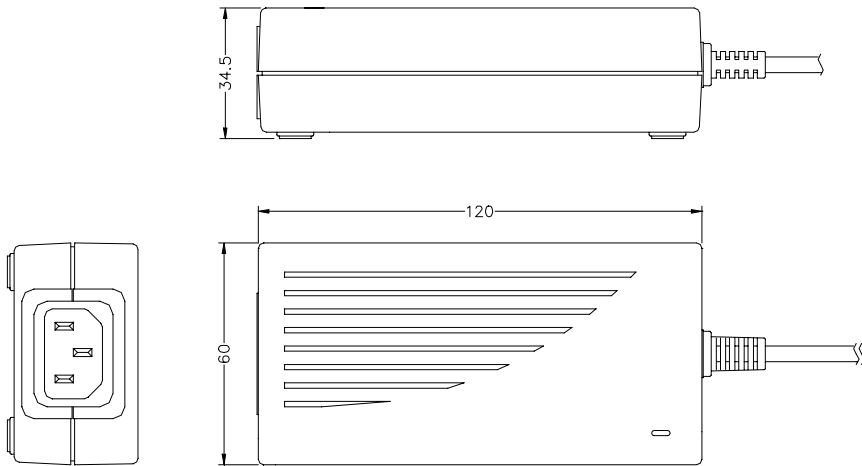
Bothhand USA. e-mail: sales@bothhandusa.com <http://www.bothhand.com>

462 Boston St - Topsfield, MA 01983 - Phone: 978-887-8050 - Fax: 978-887-5434

ORDERING INFORMATION



MECHANICAL



Unit: m.m.

Standard Output Cable:
18AWG, UL SPT-1, 1200mm, EMI CORE.



Bothhand USA. e-mail: sales@bothhandusa.com <http://www.bothhand.com>

462 Boston St - Topsfield, MA 01983 - Phone: 978-887-8050 - Fax: 978-887-5434