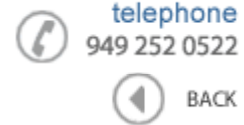




Data Sheet



Product Category: IF SAW Filter

Part Number	Package	Application	Last Modified
835-IF240.0M-D	35.0 x 12.8 Thru Hole	Base Station & Repeater	Jan. 01, 2007

TYPE :

240.0 MHz Bandpass Filter

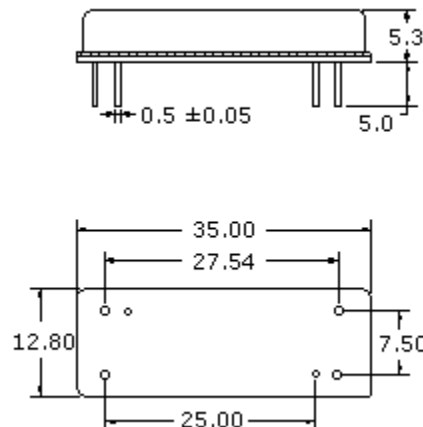
PART NUMBER :

835-IF240.0M-D**OPERATING CONDITIONS / ELECTRICAL CHARACTERISTICS**

PARAMETERS	Minimum	Typical	Maximum	Units
Center Frequency	239.85	240.00	240.15	MHz
Insertion Loss	-	29.5	31.5	dB
Source Impedance (single ended)*	-	50	-	ohm
Load Impedance (single ended)*	-	50	-	ohm
1.5dB Bandwidth	13.9	14.12	-	MHz
3.0dB Bandwidth	14.1	14.32	-	MHz
40.0dB Bandwidth	-	15.52	15.8	MHz
Amplitude Ripple (Fo \pm 6.875 MHz)	-	0.9	1.5	dBp-p
Group Delay Variation (Fo \pm 6.875 MHz)	-	65	120	ns
Absolute Delay at Fo	-	3.18	-	μ s
Ultimate Rejection	-	52	-	dB
Temperature Coefficient	-	-20	-	ppm/ $^{\circ}$ C
Storage Temperature	-40	-	+85	$^{\circ}$ C
Operating Temperature	-30	-	+70	$^{\circ}$ C

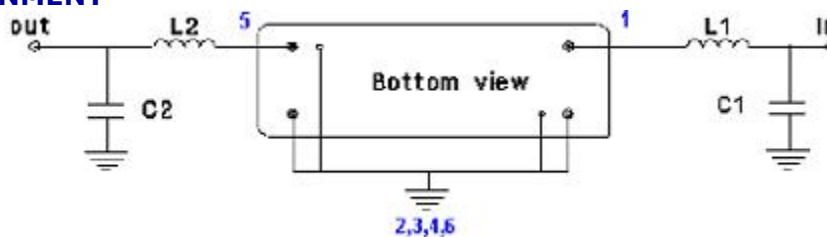
* with Matching Network (Ref. Testing Environment Circuit as shown below). Those impedances could be modified with different impedances values and/or structures, if necessary.

** Custom SAW IF Filters available. Contact Oscilent for assistance.

PACKAGE OUTLINE (mm)

PIN Descriptions: IN-1, OUT 5, GROUND -2,3,4,6,Case

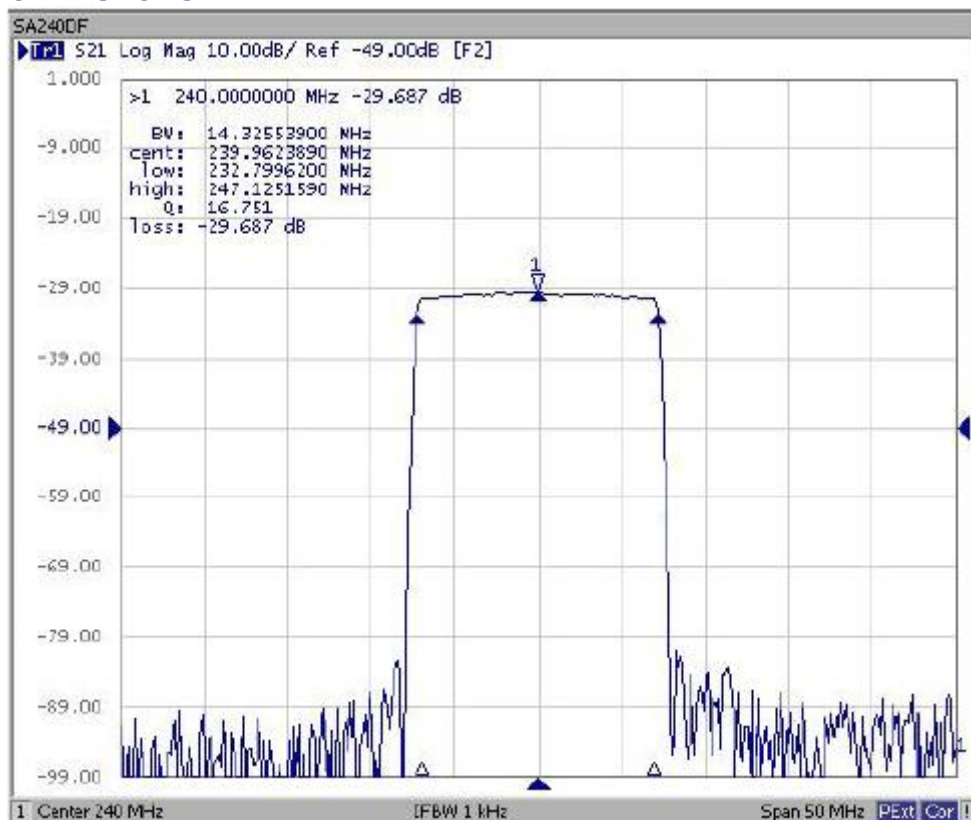
TEST ENVIRONMENT



Test Fixture & Values	
Input	L1=8.2nH , C1=22pF
Output	L2=8.2nH , C2=20pF

Source & Load Impedance: 50 ohm

FREQUENCY RESPONSE



Oscilent Corporation - CALL **949.252.0522**

Part No.: 835-IF240.0M-D

18195 East McDermott Street , Building D , Irvine , CA 92614 , USA
 Fax: 949.252.0599 , E-Mail: Sales@Oscilent.com