



Data Sheet

telephone
 949 252 0522
BACK

Product Category: IF SAW Filter

Part Number
820-IF70.0M-E

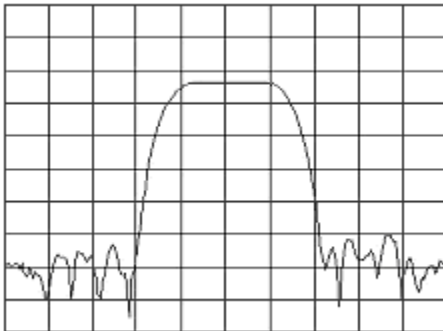
Package
20.2 x 12.6 Thru Hole

Application
Base Station & Repeater

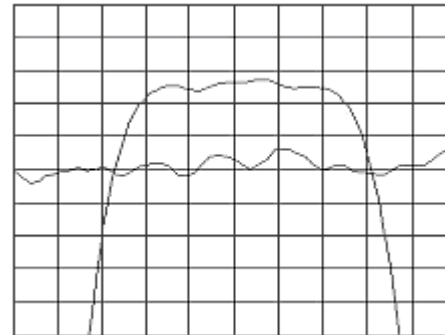
Last Modified
May 02 2003

TYPE :
 70.0 MHz Bandpass Filter
 1.20 MHz Bandwidth

PART NUMBER :
820-IF70.0M-E



Horizontal : 0.5 MHz/Div
Vertical : 10 dB/Div



Horizontal : 0.2 MHz/Div
Vertical : 1 dB/Div
Vertical : 100 ns/Div

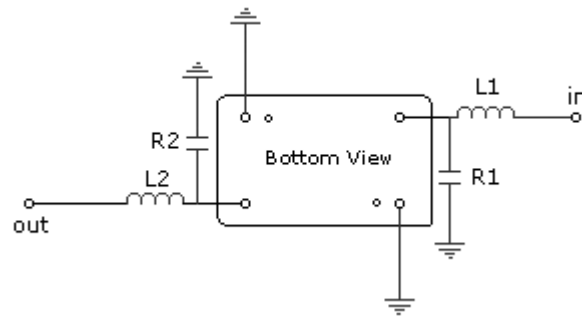
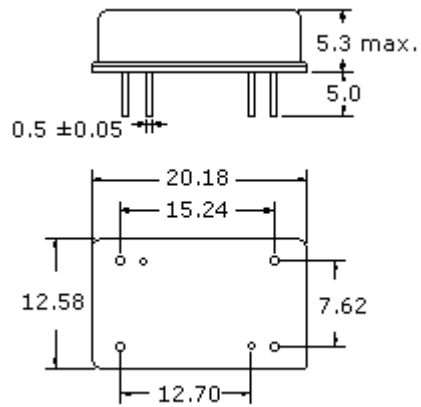
OPERATING CONDITIONS / ELECTRICAL CHARACTERISTICS

PARAMETERS	Minimum	Typical	Maximum	Units
Center Frequency	69.94	70.00	70.06	MHz
Insertion Loss	-	23.0	28.0	dB
1dB Bandwidth	0.91	1.0	-	MHz
3dB Bandwidth	1.1	1.2	-	MHz
40dB Bandwidth	-	1.95	2.0	MHz
Passband Ripple	-	0.4	0.8	dB
Group Delay Variation	-	100	150	nsec
Absolute Delay	-	2.6	-	µsec
Ultimate Rejection	40	50	-	dB
Substrate Material	-	Quartz	-	-
Ambient Temperature	-	25	-	°C

* Custom SAW IF Filters available. Contact Oscilent for assistance.

PACKAGE OUTLINE (mm)

TEST FIXTURE



L1 = 220nH R1 = 1.0 kOhms
 L2 = 180nH R2 = 1.0 kOhms
 Source/Load Impedance = 50 ohms

Part No.: 820-IF70.0M-E

Oscilent Corporation - CALL **949.252.0522**

17962 Sky Park Circle, Building D, Irvine, CA 92614, USA
 Fax: 949.252.0599, E-Mail: Sales@Oscilent.com