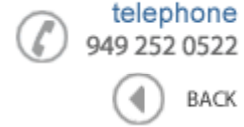




Data Sheet



Product Category: RF SAW Filter

Part Number
802-RF1575.42M-B

Package
3.0 x 3.0 SMD

Application
GPS

Last Modified
Apr. 12 2003

TYPE :
1575.42 MHz RF SAW Filter



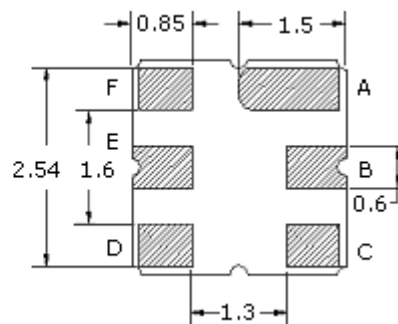
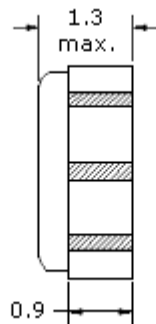
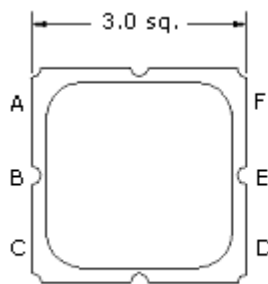
PART NUMBER :
802-RF1575.42M-B

OPERATING CONDITIONS / ELECTRICAL CHARACTERISTICS

PARAMETERS	Condition	Minimum	Typical	Maximum	Units
Center Frequency	-	-	1575.42	-	MHz
Insertion Loss	1574.42 ~ 1576.42 MHz	-	2.9	3.5	dB
DC Voltage	-	-	-	0	V
Input Power	-	-	-	10	dBm
Operating Temperature	-	-30	-	+85	°C
Storage Temperature	-	-40	-	+85	°C
Amplitude Ripple	1574.42 ~ 1576.42 MHz	-	0.1	1.0	dB
Stopband Attenuation	847.5 ~ 852.5 MHz	35.0	39.0	-	dB
	1497.50 ~ 1502.50 MHz	45.0	56.0	-	
	1532.92 ~ 1537.92 MHz	35.0	42.0	-	
	1612.92 ~ 1617.92MHz	45.0	52.0	-	
	1637.50 ~ 1642.50MHz	50.0	60.0	-	
1697.50 ~ 1702.50MHz	50.0	60.0	-	-	
VSWR	1574.42 ~ 1576.42 MHz	-	1.6	2.0	-
Terminating Impedance	-	-	50	-	ohm

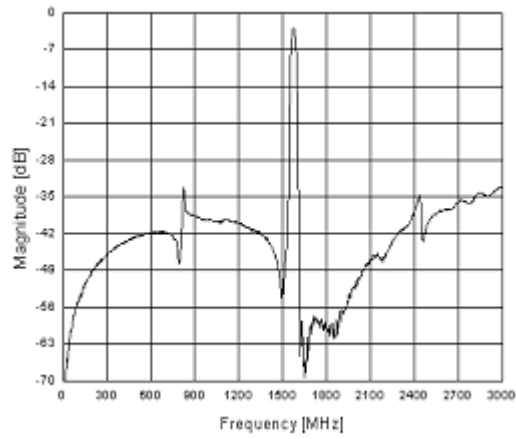
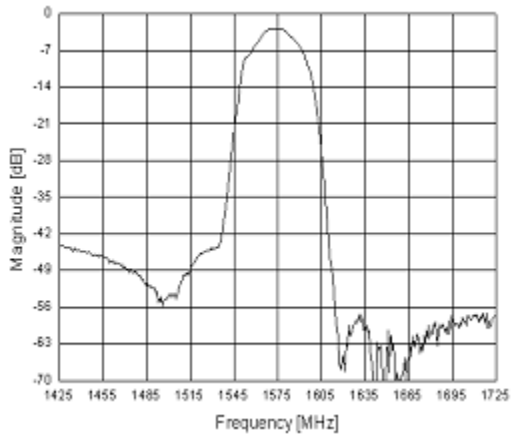
* Maximum Rating (Ta=25°C)

** Custom SAW RF Filters available. Contact Oscilent for assistance.

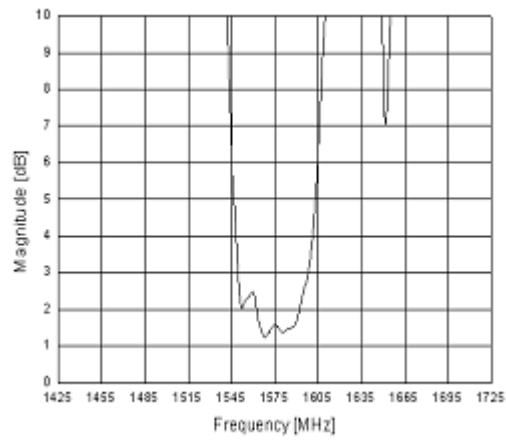
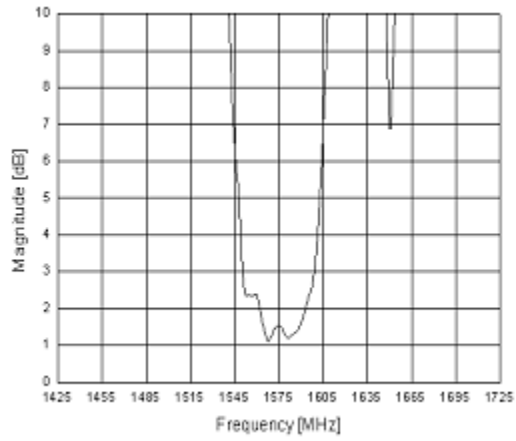


Pin Layout	
A	Ground
B	Output
C	Ground
D	Ground
E	Input
F	Ground

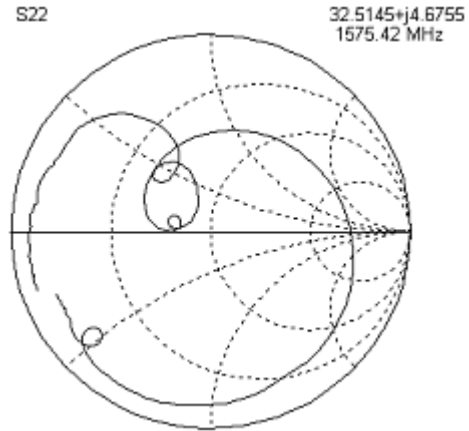
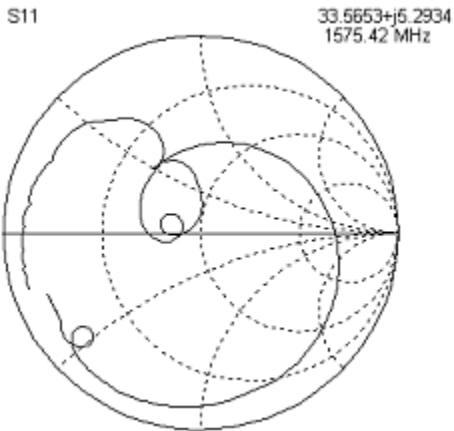
Frequency Reponse



VSWR (S11, S22)



Smith Chart



Oscilent Corporation - CALL **949.252.0522**
17962 Sky Park Circle . Building D . Irvine . CA 92614 . USA
Fax: 949.252.0599 . E-Mail: Sales@Oscilent.com

Part No.: 802-RF1575.42M-B