

PLEASE CHECK WWW.MOLEX.COM FOR LATEST PART INFORMATION

Part Number: **5023961010**
Status: **Active**
Overview: slimstack_mm016_pitch
Description: 0.40mm (.016") Pitch SlimStack™ Board-to-Board Plug, SMT, Dual Row, Vertical Stacking, 2.50mm (.098") Stacking Height, With Solder Tabs, 100 Circuits

Documents:

[3D Model](#) [Product Specification PS-501635-002 \(PDF\)](#)
[Drawing \(PDF\)](#) [RoHS Certificate of Compliance \(PDF\)](#)

General

Product Family PCB Headers
Series [502396](#)
Application Board-to-Board
Overview [slimstack_mm016_pitch](#)
Product Name SlimStack™

Physical

Breakaway No
Circuits (Loaded) 100
Circuits (maximum) 100
Color - Resin Black
Durability (mating cycles max) 30
First Mate / Last Break No
Glow-Wire Compliant No
Guide to Mating Part No
Keying to Mating Part None
Lock to Mating Part Yes
Mated Height (in) 0.098 In
Mated Height (mm) 2.50 mm
Material - Metal Brass, Phosphor Bronze
Material - Plating Mating Gold
Material - Plating Termination Gold
Material - Resin High Temperature Thermoplastic
Number of Rows 2
Orientation Vertical
PCB Locator No
PCB Retention Yes
Packaging Type Embossed Tape on Reel
Pitch - Mating Interface (in) 0.016 In
Pitch - Mating Interface (mm) 0.40 mm
Pitch - Term. Interface (in) 0.016 In
Pitch - Term. Interface (mm) 0.40 mm
Plating min: Mating (µin) 10.000
Plating min: Mating (µm) 0.25
Plating min: Termination (µin) 2.000
Plating min: Termination (µm) 0.05
Polarized to Mating Part No
Polarized to PCB No
Shrouded Closed Ends
Stackable No
Surface Mount Compatible (SMC) Yes
Temperature Range - Operating -30°C to +85°C
Termination Interface: Style Surface Mount

Electrical

EU RoHS

**ELV and RoHS
Compliant**
REACH SVHC
Not Reviewed
**Halogen-Free
Status**

China RoHS



Not Reviewed

Need more information on product environmental compliance?

Email productcompliance@molex.com
For a multiple part number RoHS Certificate of Compliance, [click here](#)

Please visit the [Contact Us](#) section for any non-product compliance questions.

Search Parts in this Series

[502396Series](#)

Mates With

[501635 SlimStack™ Board-to-Board Receptacle](#)

Current - Maximum per Contact
Voltage - Maximum

0.3A
50V AC (RMS)/DC

Material Info

Reference - Drawing Numbers

Product Specification
Sales Drawing

PS-501635-002, RPS-501635-004
SD-502396-001, SD-502396-002

This document was generated on 05/26/2010

PLEASE CHECK WWW.MOLEX.COM FOR LATEST PART INFORMATION

注記 NOTES

1. 使用材料 MATERIAL

ウェハー：液晶ポリマー (LCP) ガラス充填 UL94V-0 (黒)
 WAFER : LIQUID CRYSTAL POLYMER (GLASS FILLED)
 UL94V-0 (COLOR:BLACK)

ピン：黄銅 (t=0.1)
 PIN : BRASS (t=0.1)

金具：りん青銅 (t=0.12)
 FITTING NAIL : PHOSPHOR BRONZE (t=0.12)

2. メッキ仕様 PLATING

ピン PIN

金メッキ 0.2マイクロメートル以上 (コンタクト部)
 GOLD 0.2 MICROMETER MINIMUM (CONTACT AREA)

金メッキ 0.4マイクロメートル以下 (テール部)
 GOLD 0.4 MICROMETER MAXIMUM (TAIL AREA)

下地メッキ：ニッケルメッキ 1.5 マイクロメートル以上
 UNDER PLATING : NICKEL 1.5 MICROMETER MINIMUM

金具 FITTING NAIL

錫メッキ 1.0マイクロメートル以上
 TIN 1.0 MICROMETER MINIMUM

下地メッキ：ニッケルメッキ 1.0 マイクロメートル以上
 UNDER PLATING : NICKEL 1.0 MICROMETER MINIMUM

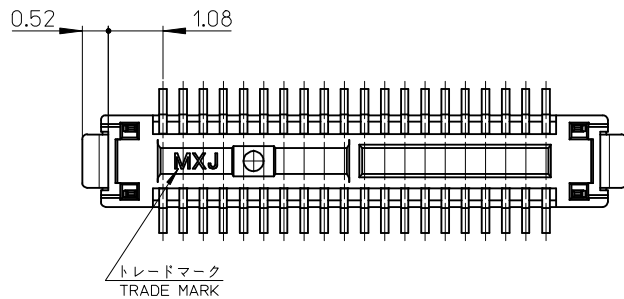
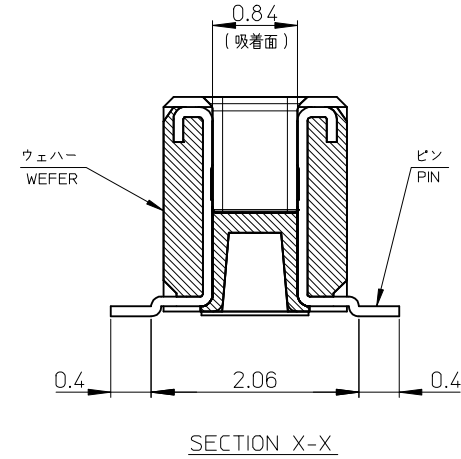
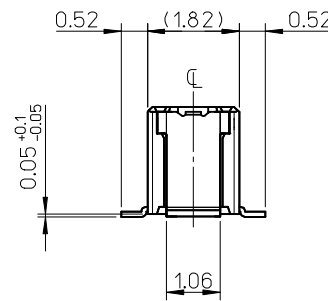
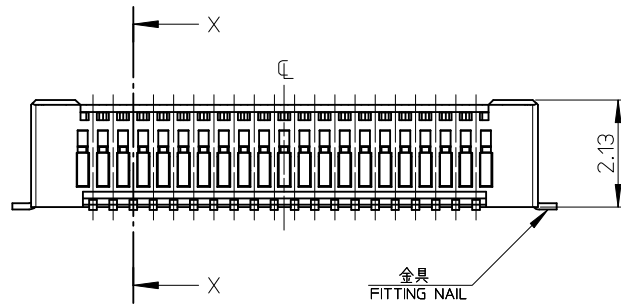
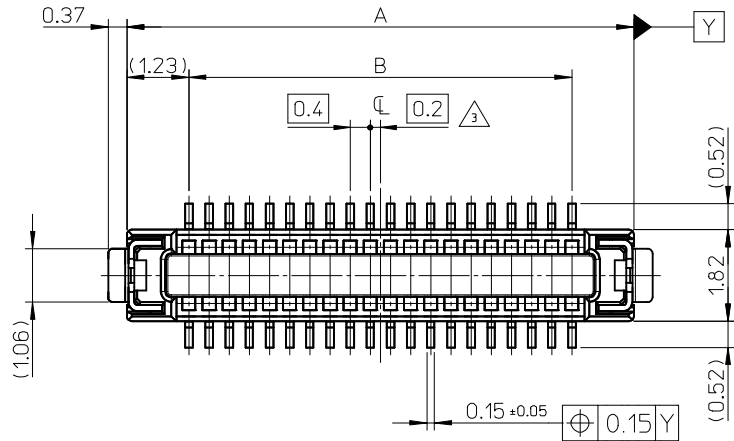
△ (全極数/2) = 偶数の場合に適用。
 APPLY OFR (CIRCUIT/2)=EVEN.

4. 嵌合相手：501635 シリーズ
 MATE WITH : 501635 SERIES.

5. テールの平坦度は 0.08 以下、
 テール及び、金具の平坦度は 0.1以下とする。
 TAIL COPLANARITY TO BE 0.08 MAXIMUM
 TAIL AND FITTING NAIL COPLANARITY TO BE 0.1 MAXIMUM.

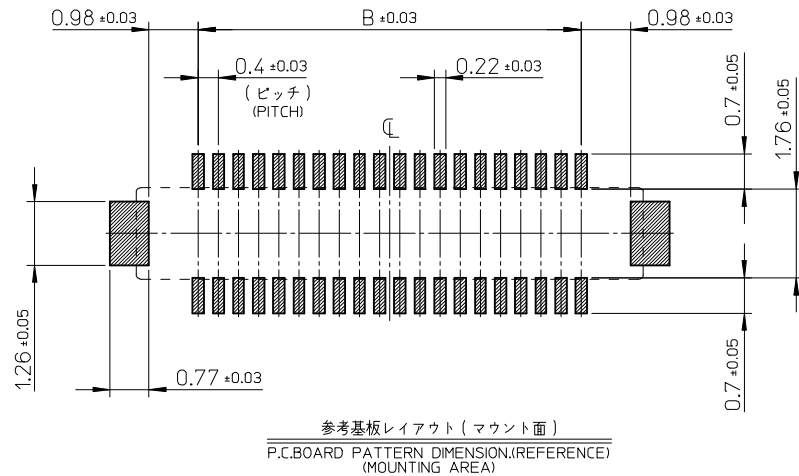
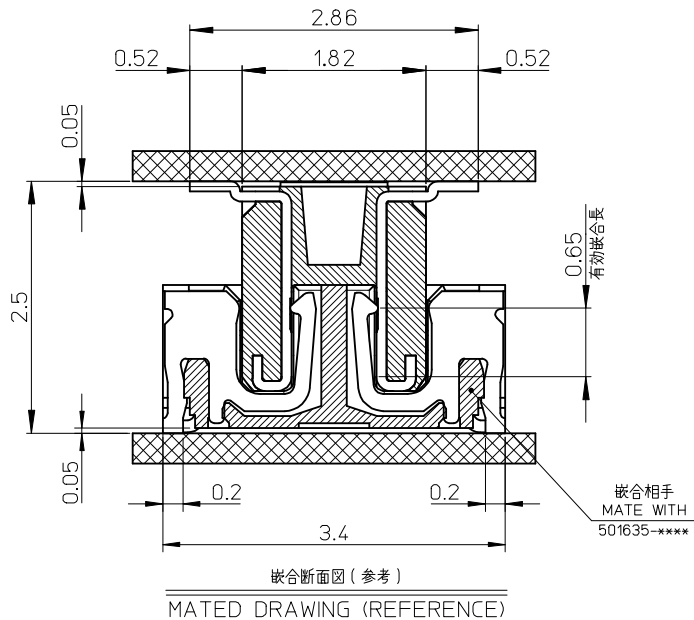
6. 本製品はネイルに錫メッキを使用している為、外観に摺動痕が
 つく場合が御座いますが、製品性能に影響ありません。
 THE WOULD OF FRICTION MIGHT ADHERE TO EXTERNALS
 BECAUSE THE TIN PLATING IS USED FOR NAIL. BUT THERE
 IS NO INFLUENCE IN THE PRODUCT PERFORMANCE.

7. ELV及び、RoHS適合品
 ELV AND ROHS COMPLIANT.



19.6	22.06	502396-1010	502396-1019	100
B	A	EMBOSSED TAPE PACKAGE ORDER No.	MATERIAL NO.	CIRCUIT
MODEL No. 502396-***9				

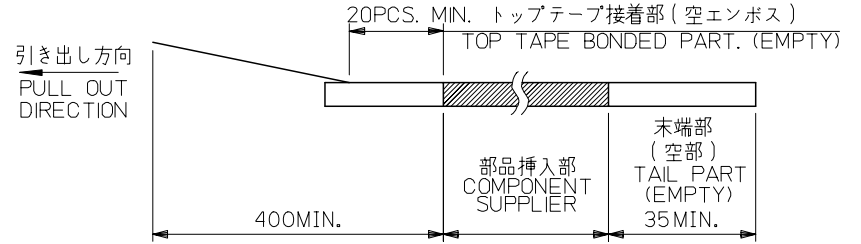
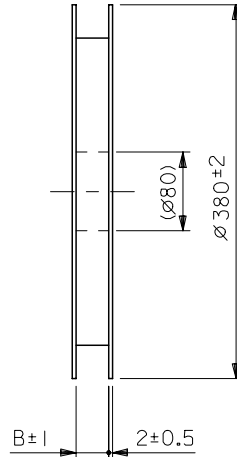
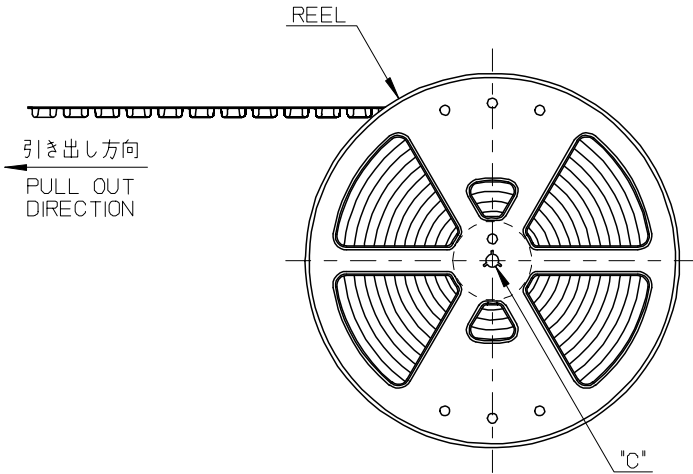
REVISED EC NO.: J2009-0590 2008/09/04 DRW:KSETO 2008/09/05 CHKD:THIRATA 2008/09/05 APPR:MSASAO	DESCRIPTION REV	GENERAL TOLERANCES (UNLESS SPECIFIED)		DIMENSION STYLE MM ONLY		SCALE ---	DESIGN UNITS METRIC		THIRD ANGLE PROJECTION	
		10 UNDER	± 0.2	DRAWN BY YNUKANOBU	DATE 2007/10/19	TITLE 0.4 B-TO-B CONN.HGT=2.5 PLUG NAIL ASSY[OVERMOLD]				
		10 OVER 30 UNDER	± 0.25	CHECKED BY MSASAO	DATE 2007/10/19	APPROVED BY MSASAO				
		30 OVER	± 0.3	MATERIAL NO. SEE CHART		DOCUMENT NO. SD-502396-001		SHEET NO. 1 OF 2		
ANGULAR ±1 °		DRAFT WHERE APPLICABLE MUST REMAIN WITHIN DIMENSIONS		THIS DRAWING CONTAINS INFORMATION THAT IS PROPRIETARY TO MOLEX INCORPORATED AND SHOULD NOT BE USED WITHOUT WRITTEN PERMISSION						



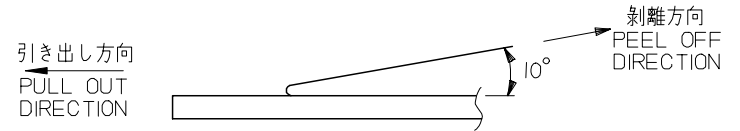
REVISED EC NO: J2009-0590 DRWNKSETO 2008/09/04 CHKD:THIRATA 2008/09/05 APPR:MSASAO 2008/09/05 A	DESCRIPTION REV	GENERAL TOLERANCES (UNLESS SPECIFIED)		DIMENSION STYLE MM ONLY		SCALE ---	DESIGN UNITS METRIC	THIRD ANGLE PROJECTION	
		10 UNDER	±0.2	DRAWN BY YNUKANOBU	DATE 2007/10/19	TITLE 0.4 B-TO-B CONN.HGT=2.5 PLUG NAIL ASSY[OVERMOLD]			
		10 OVER 30 UNDER	±0.25	CHECKED BY MSASAO	DATE 2007/10/19	MOLEX INCORPORATED			
		30 OVER	±0.3	APPROVED BY MSASAO	DATE 2007/10/19	MATERIAL NO. SEE CHART	DOCUMENT NO. SD-502396-001	SHEET NO. 2 OF 2	
ANGULAR ±1 °		DRAFT WHERE APPLICABLE MUST REMAIN WITHIN DIMENSIONS		THIS DRAWING CONTAINS INFORMATION THAT IS PROPRIETARY TO MOLEX INCORPORATED AND SHOULD NOT BE USED WITHOUT WRITTEN PERMISSION					

注記 NOTES

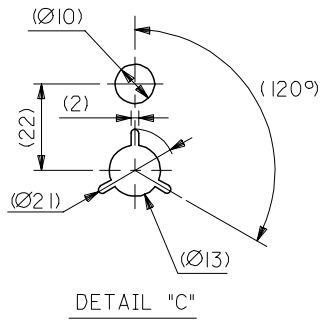
- 製品詳細寸法については製品単体図面を参照下さい。
RE DETAILED DIMENSION, SEE PRODUCT DRAWING.
- 梱包数量: 3000 個/リール
NUMBER OF CONNECTORS: 3000PCS/REEL
- リードテープ長さ LEAD TAPE LENGTH



- トップテープの剥離強度: 0.1N~1.3N(10gf~130gf)
(剥離方向は下図参照)
尚、本規格値は出荷時に適用。(但し、輸送時に剥離が発生しないこと。)
PEELING OFF FORCE OF TOP TAPE: 0.1N~1.3N(10gf~130gf)
(PEELING DIRECTION AS SHOWN IN FOLLOWING FIG.)
THIS REQUIREMENT SHOULD BE APPLIED AT SHIPMENT.
PEEL OFF SHOULD NOT BE ALLOWED, DURING TRANSPORTION.



- 材料 MATERIAL
キャリアテープ (CARRIER TAPE): ポリスチレン (POLYSTYRENE)
トップテープ (TOP TAPE): PET, PE, PEF
リール (REEL): ポリスチレン (PS) <リサイクル材を含む>
POLYSTYRENE (PS) <RECYCLE MATERIAL CONTAINED>
- ELV 及び、RoHS 適合品
ELV AND RoHS COMPLIANT.



MODEL NO. 502396-**10

RELEASED EC NO: J2008-1398 DRWN: YNUKANOBU 2007/10/19 CHKD: MSASAO 2007/10/19 APPR: MSASAO 2007/10/19	GENERAL TOLERANCES (UNLESS SPECIFIED)		DIMENSION STYLE MM ONLY		SCALE ---	DESIGN UNITS METRIC	THIRD ANGLE PROJECTION
	10 UNDER	± 0.2	DRAWN BY YNUKANOBU	DATE 2007/10/19	TITLE 0.4 B-TO-B CONN.HGT=2.5 PLUG ASSY EMBSTP PKG		
	10 OVER 30 UNDER	± 0.25	CHECKED BY MSASAO	DATE 2007/10/19			
	30 OVER	± 0.3	APPROVED BY MSASAO	DATE 2007/10/19	MOLEX INCORPORATED		
ANGULAR	$\pm 1^\circ$	MATERIAL NO.		DOCUMENT NO. SD-502396-002			
0	DRAFT WHERE APPLICABLE MUST REMAIN WITHIN DIMENSIONS		SIZE A3		THIS DRAWING CONTAINS INFORMATION THAT IS PROPRIETARY TO MOLEX INCORPORATED AND SHOULD NOT BE USED WITHOUT WRITTEN PERMISSION		

10 9 8 7 6 5 4 3 2 1

F

E

D

C

B

A

F

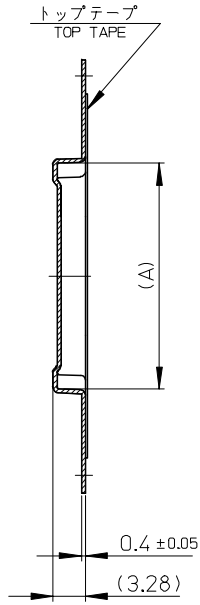
E

D

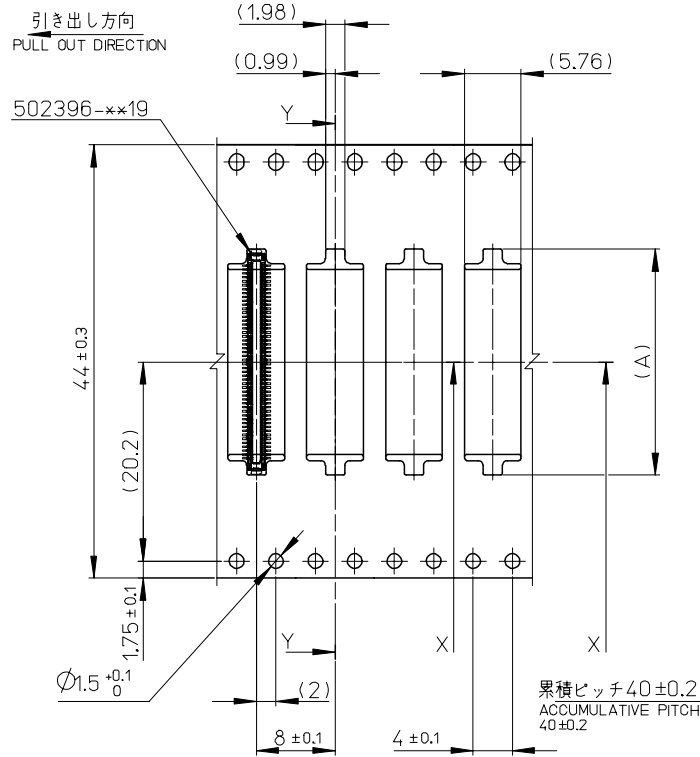
C

B

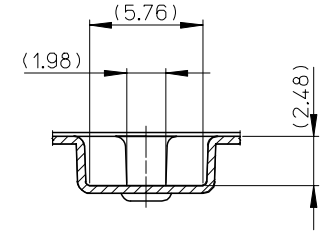
A



SECTION Y-Y



44mm 幅キャリアテープ
44mm WIDTH CARRIER TAPE



SECTION X-X

44	45.5	22.96	502396-1010	100
キャリアテープ幅 CARRIER TAPE WIDTH	B	(A)	MATERIAL No.	CKT.
			MODEL No.	502396-xx10

RELEASED EC NO: J2008-1398 DRWN: YNUKANOBU 2007/10/19 CHKD: MSASAO 2007/10/19 APPR: MSASAO 2007/10/19	GENERAL TOLERANCES (UNLESS SPECIFIED)		DIMENSION STYLE	SCALE	DESIGN UNITS	THIRD ANGLE PROJECTION
	10 UNDER	± 0.2	MM ONLY	---	METRIC	
	10 OVER 30 UNDER	± 0.25				
	30 OVER	± 0.3				
	ANGULAR	± 1 °				
	DRAFT WHERE APPLICABLE MUST REMAIN WITHIN DIMENSIONS		DRAWN BY	DATE	TITLE	
			YNUKANOBU	2007/10/19	0.4 B-TO-B CONN.HGT=2.5 PLUG ASSY EMBSTP PKG	
			CHECKED BY	DATE		
			MSASAO	2007/10/19		
			APPROVED BY	DATE		
			MSASAO	2007/10/19	MOLEX INCORPORATED	
			MATERIAL NO.	DOCUMENT NO.	SHEET NO.	
			SEE CHART	SD-502396-002	2 OF 2	
			SIZE	THIS DRAWING CONTAINS INFORMATION THAT IS PROPRIETARY TO MOLEX INCORPORATED AND SHOULD NOT BE USED WITHOUT WRITTEN PERMISSION		
			A3			

9

8

7

6

5

4

3

2