

**PLEASE CHECK WWW.MOLEX.COM FOR LATEST PART INFORMATION**

**Part Number:** [5018280111](#)  
**Status:** **Active**  
**Overview:** [cmc connectors](#)  
**Description:** CMC Wire-to-Wire Connector Male Terminal 1.5, AVSS 1.25-2.0

**Documents:**

[Drawing \(PDF\)](#) [RoHS Certificate of Compliance \(PDF\)](#)

**General**

|                         |                                |
|-------------------------|--------------------------------|
| Product Family          | Crimp Terminals                |
| Series                  | <a href="#">501828</a>         |
| Crimp Quality Equipment | Yes                            |
| Overview                | <a href="#">cmc connectors</a> |
| Product Name            | CMC                            |

**Physical**

|                                |                             |
|--------------------------------|-----------------------------|
| Durability (mating cycles max) | 1,000                       |
| Gender                         | Male                        |
| Material - Metal               | Brass                       |
| Material - Plating Mating      | Tin                         |
| Material - Plating Termination | Tin                         |
| Packaging Type                 | Reel                        |
| Plating min: Mating (µin)      | 35                          |
| Plating min: Mating (µm)       | 0.88                        |
| Plating min: Termination (µin) | 35                          |
| Plating min: Termination (µm)  | 0.88                        |
| Termination Interface: Style   | Crimp or Compression        |
| Wire Insulation Diameter       | 2.10-2.70mm (AVSS 1.25-2.0) |
| Wire Size AWG                  | N/A                         |
| Wire Size mm <sup>2</sup>      | 1.50-1.80                   |

**Electrical**

|                               |                 |
|-------------------------------|-----------------|
| Current - Maximum per Contact | 10A, 16A        |
| Voltage - Maximum             | 25V AC (RMS)/DC |

**Material Info**

**Reference - Drawing Numbers**

|                           |                |
|---------------------------|----------------|
| Application Specification | AS-500993-002  |
| Packaging Specification   | SPK-501828-001 |
| Product Specification     | RPS-500993-001 |
| Sales Drawing             | SD-501828-001  |

**EU RoHS**

**ELV and RoHS  
Compliant**  
**REACH SVHC  
Contains SVHC: No**  
**Halogen-Free  
Status**  
**Halogen-Free**

**China RoHS**



**Need more information on product  
environmental compliance?**

Email [productcompliance@molex.com](mailto:productcompliance@molex.com)  
 For a multiple part number RoHS Certificate of  
 Compliance, [click here](#)

Please visit the [Contact Us](#) section for any  
 non-product compliance questions.

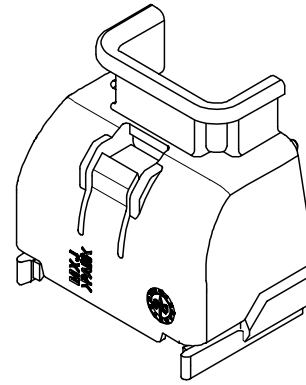
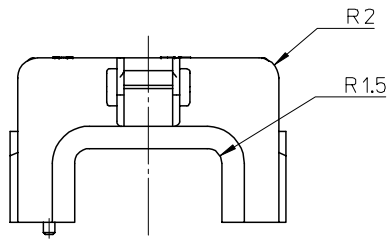
**Search Parts in this Series**

[501828Series](#)

**Use With**

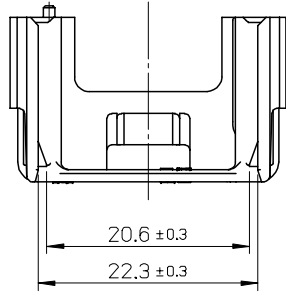
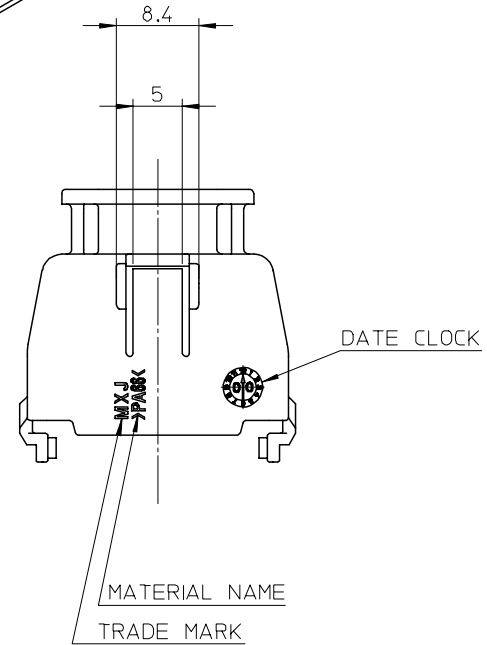
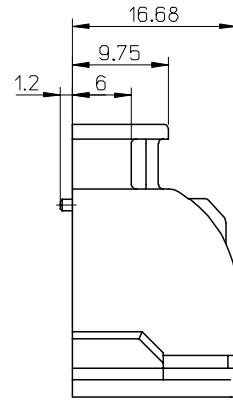
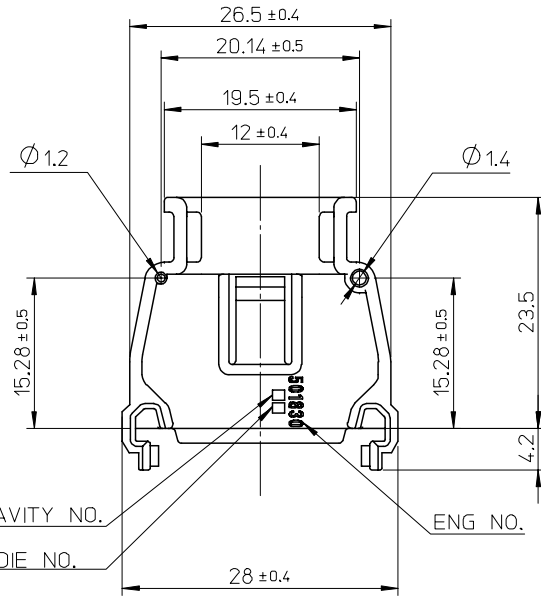
[501820 Plug Housing](#)

10 9 8 7 6 5 4 3 2 1



注記  
NOTES

- 適合ハウジング: 500993-3201  
APPLICABLE HOUSING: 500993-3201
- 材質: PA66-GF 0% 黒色  
MATERIAL: PA66-GF 0% BLACK



|  |                                       |            |  |                  |  |                        |
|--|---------------------------------------|------------|--|------------------|--|------------------------|
| RELEASED<br>EC NO: J2006-2786<br>DRWN: YMASUDA02 2006/03/06<br>CHKD: TAITO 2006/03/07<br>APPR: AKANESHIGE 2006/03/08 | GENERAL TOLERANCES (UNLESS SPECIFIED) |            | DIMENSION STYLE<br>MM ONLY   | SCALE<br>2:1     | DESIGN UNITS<br>METRIC   | THIRD ANGLE PROJECTION |
|  | 10 UNDER                              | ± 0.2      | DRAWN BY<br>YMASUDA02  | DATE<br>2006/3/1 | TITLE<br>CMC W/W CONN. 32P<br>REC. HOUSING<br>WIRE DRESS COVER |                        |
|  | 10 OVER 30 UNDER                      | ± 0.25     | CHECKED BY<br>TAITO  | DATE<br>2006/3/1 | MOLEX INCORPORATED   |                        |
|  | 30 OVER                               | ± 0.3      | APPROVED BY<br>AKANESHIGE  | DATE<br>2006/3/1 |  |                        |
|  | ANGULAR                               | ± 3 °      | MATERIAL NO.<br>501830-3201  |                  | DOCUMENT NO.<br>SD-501830-001                                  | SHEET NO.<br>1 OF 1    |
| DRAFT WHERE APPLICABLE<br>MUST REMAIN<br>WITHIN DIMENSIONS   |                                       | SIZE<br>A3 | THIS DRAWING CONTAINS INFORMATION THAT IS PROPRIETARY TO MOLEX<br>INCORPORATED AND SHOULD NOT BE USED WITHOUT WRITTEN PERMISSION |                  |  |                        |