

PLEASE CHECK WWW.MOLEX.COM FOR LATEST PART INFORMATION

Part Number: [0945120301](#)
Status: **Active**
Description: Quick Disconnect, High Reliability Terminal (HRT), Female for 2.50-6.00mm² (4-12 AWG) Wire, Accepts 6.30mm (.250") x 0.81mm (.032") Tab

Documents:

[Drawing \(PDF\)](#) [RoHS Certificate of Compliance \(PDF\)](#)

General

Product Family	Quick Disconnects
Series	94512
Crimp Quality Equipment	Yes
Product Name	N/A
Type	Quick Disconnect

Physical

Barrel Type	Open
Gender	Female
Glow-Wire Compliant	No
Insulation	None
Lock to Mating Part	None
Material - Metal	Brass
Material - Plating Mating	Tin
Material - Plating Termination	Tin
Orientation	Straight
Packaging Type	Reel
Polarized to Mating Part	Yes
Tab Thickness	0.81mm (.032")
Tab Width	6.35mm (.250")
Temperature Range - Operating	-25°C to +55°C
Termination Interface: Style	Crimp or Compression
Wire Size AWG	10, 12
Wire Size mm ²	2.50 - 6.00

Electrical

Voltage - Maximum	250V
-------------------	------

Material Info

Reference - Drawing Numbers

Sales Drawing	SD-94512-004
---------------	--------------

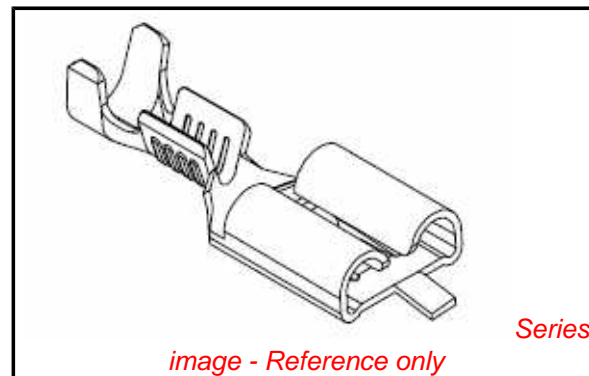


image - Reference only

EU RoHS

**ELV and RoHS
Compliant**

REACH SVHC

Contains SVHC: No

Halogen-Free

Status

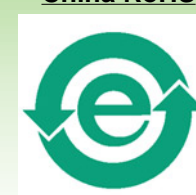
Halogen-Free

**Need more information on product
environmental compliance?**

Email productcompliance@molex.com
 For a multiple part number RoHS Certificate of
 Compliance, [click here](#)

Please visit the [Contact Us](#) section for any
 non-product compliance questions.

China RoHS



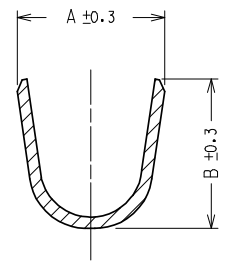
Search Parts in this Series

[94512Series](#)

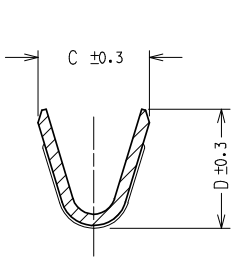
Use With

[94090](#) Quick Disconnect Housing

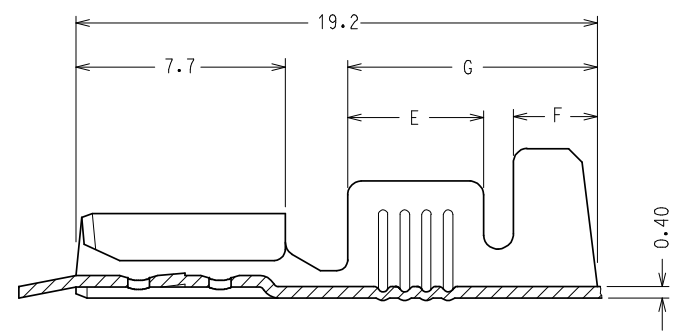
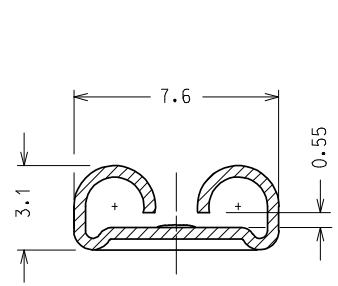
SEZIONE C - C



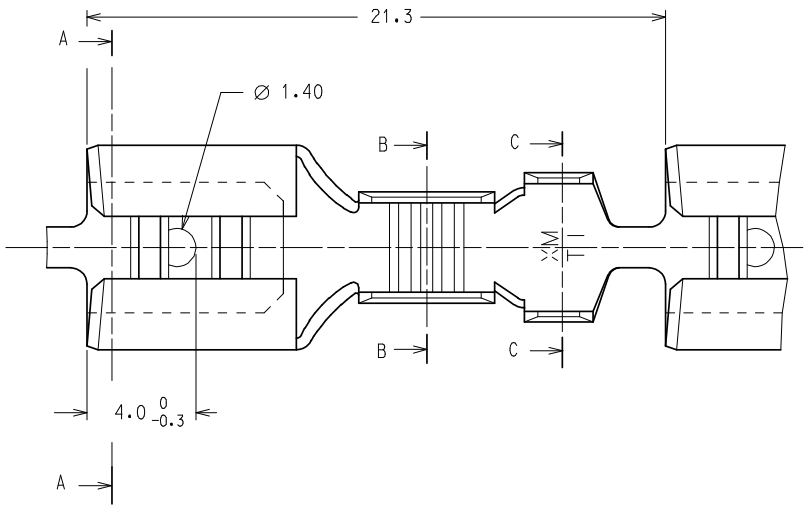
SEZIONE B - B



SEZIONE A - A



CODICE P/N	FINITURA PLATING	MATERIALE MATERIAL	SEZ. RAME WIRE RANGE (mm ²)	Ø ISOLANTE INS. RANGE (mm)	DIMENSIONI / DIMENSION (mm)							PZ/BOBINA PCS/REEL	S.P.Q.
					A	B	C	D	E	F	G		
94512-0000	GREGGIO/ UNPLATED	OTTONE/ BRASS	0.2 ↔ 0.5	1.2 ↔ 2.1	3.0	2.9	2.3	2.3	3.1	1.8	6.3	7.000	21.000
94512-0001	STAGNATO/ TIN	OTTONE/ BRASS											
94512-0100	GREGGIO/ UNPLATED	OTTONE/ BRASS											
94512-0101	STAGNATO/ TIN	OTTONE/ BRASS											
94512-0111	NICHELATO/ NICKEL	ACCIAIO/ STEEL	0.5 ↔ 1.0	2.0 ↔ 3.3	4.5	4.5	3.0	3.0	4.2	2.4	8.2	7.000	21.000
94512-0130	GREGGIO/ UNPLATED	ALPACCA/ PACKFONG											
94512-0200	GREGGIO/ UNPLATED	OTTONE/ BRASS											
94512-0201	STAGNATO/ TIN	OTTONE/ BRASS											
94512-0211	NICHELATO/ NICKEL	ACCIAIO/ STEEL	1.0 ↔ 2.5	2.7 ↔ 4.3	5.5	5.5	4.1	4.3	5.0	3.1	9.1	6.000	18.000
94512-0230	GREGGIO/ UNPLATED	ALPACCA/ PACKFONG											
94512-0301	STAGNATO/ TIN	OTTONE/ BRASS											
94512-0311	NICHELATO/ NICKEL	ACCIAIO/ STEEL	2.5 ↔ 6.0	3.8 ↔ 5.1	6.0	6.4	5.4	5.6	5.0	3.1	9.1	5.000	15.000



Confezione Standard: 3 Bobine x Scatola

Caratteristiche di Prodotto secondo PS 94512-001

Packaging: 3 Reels x Box

Product Characteristics according to PS 94512-002

Std. Descr.: HRT FEM TERM [material] [plating] [wire range]

EC NO: Z2008-0123 DRWIN: L.SANTESS 2008/02/25 CH'KD: L.SANTESS 2008/02/25 APPR: GZUIN 2008/02/25	QUALITY SYMBOLS ▽=0 ▽C=0	GENERAL TOLERANCES (UNLESS SPECIFIED)		DIMENSION STYLE MM ONLY		SCALE 5:1	DESIGN UNITS METRIC	FIRST ANGLE PROJECTION		
				mm	INCH	DRAWN BY DATE F. GOTTARDO 1989-12-01		TITLE HIGH RELIABILITY FEMALE TERMINAL 6.3 X 0.8		
		4 PLACES ± --- ± ---				CHECKED BY DATE M. PREVIATO 1989-12-01		MOLEX INCORPORATED		
		3 PLACES ± --- ± ---				APPROVED BY DATE R. MARTUCCI 1989-12-01		DOCUMENT NO. SD-94512-004		
		2 PLACES ± 0.1 ± ---				MATERIAL NO. See chart		SHEET NO. 1 OF 1		
1 PLACE ± 0.2 ± ---				ANGULAR ± 2 °		THIS DRAWING CONTAINS INFORMATION THAT IS PROPRIETARY TO MOLEX INCORPORATED AND SHOULD NOT BE USED WITHOUT WRITTEN PERMISSION				
DRAFT WHERE APPLICABLE MUST REMAIN WITHIN DIMENSIONS										