

PLEASE CHECK WWW.MOLEX.COM FOR LATEST PART INFORMATION

Part Number: [0875991001](#)
Status: **Active**
Description: 1.27mm (.050") Pitch EBBI™ 50D, Receptacle, Through Hole, Right Angle, Dual Stack, 4 Rows, with Beveled Metal Pins, with Lubrication, 0.76µm (30µ") Gold (Au) Selective Plating, 136 Circuits, Leadfree

Documents:

[3D Model](#)
[Drawing \(PDF\)](#)

[RoHS Certificate of Compliance \(PDF\)](#)

General

Product Family	PCB Receptacles
Series	87599
Application	Board-to-Board
Product Name	EBBI™

Physical

Circuits (Loaded)	136
Color - Resin	Black
Durability (mating cycles max)	2,000
Glow-Wire Compliant	No
Lock to Mating Part	None
Material - Metal	Phosphor Bronze
Material - Plating Mating	Gold
Material - Plating Termination	Tin
Material - Resin	High Temperature Thermoplastic
Number of Rows	4
Orientation	Right Angle
PC Tail Length (in)	0.079 In
PC Tail Length (mm)	2.00 mm
PCB Locator	Yes
PCB Retention	Yes
PCB Thickness Recommended (in)	0.062 In
PCB Thickness Recommended (mm)	1.60 mm
Packaging Type	Tray
Pitch - Mating Interface (in)	0.050 In
Pitch - Mating Interface (mm)	1.27 mm
Plating min: Mating (µin)	30.4
Plating min: Mating (µm)	0.76
Plating min: Termination (µin)	101.6
Plating min: Termination (µm)	2.54
Polarized to PCB	Yes
Surface Mount Compatible (SMC)	Yes
Temperature Range - Operating	-25°C to +85°C
Termination Interface: Style	Surface Mount, Through Hole

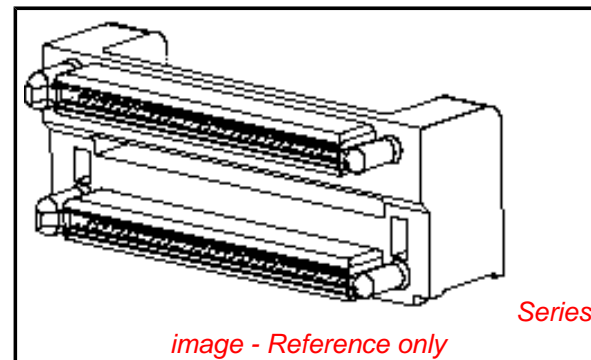
Electrical

Current - Maximum per Contact	1A
Voltage - Maximum	30V

Solder Process Data

Duration at Max. Process Temperature (seconds)	5
Lead-free Process Capability	SMC & Wave Capable (TH only)
Max. Cycles at Max. Process Temperature	1
Process Temperature max. C	265

Material Info



EU RoHS

RoHS Compliant by Exemption
REACH SVHC
 Not Reviewed
Halogen-Free
Status
Not Reviewed

China RoHS



Need more information on product environmental compliance?

Email productcompliance@molex.com
 For a multiple part number RoHS Certificate of Compliance, [click here](#)

Please visit the [Contact Us](#) section for any non-product compliance questions.

Search Parts in this Series

[87599Series](#)

Mates With

71661-25**|71661-7***

Reference - Drawing Numbers

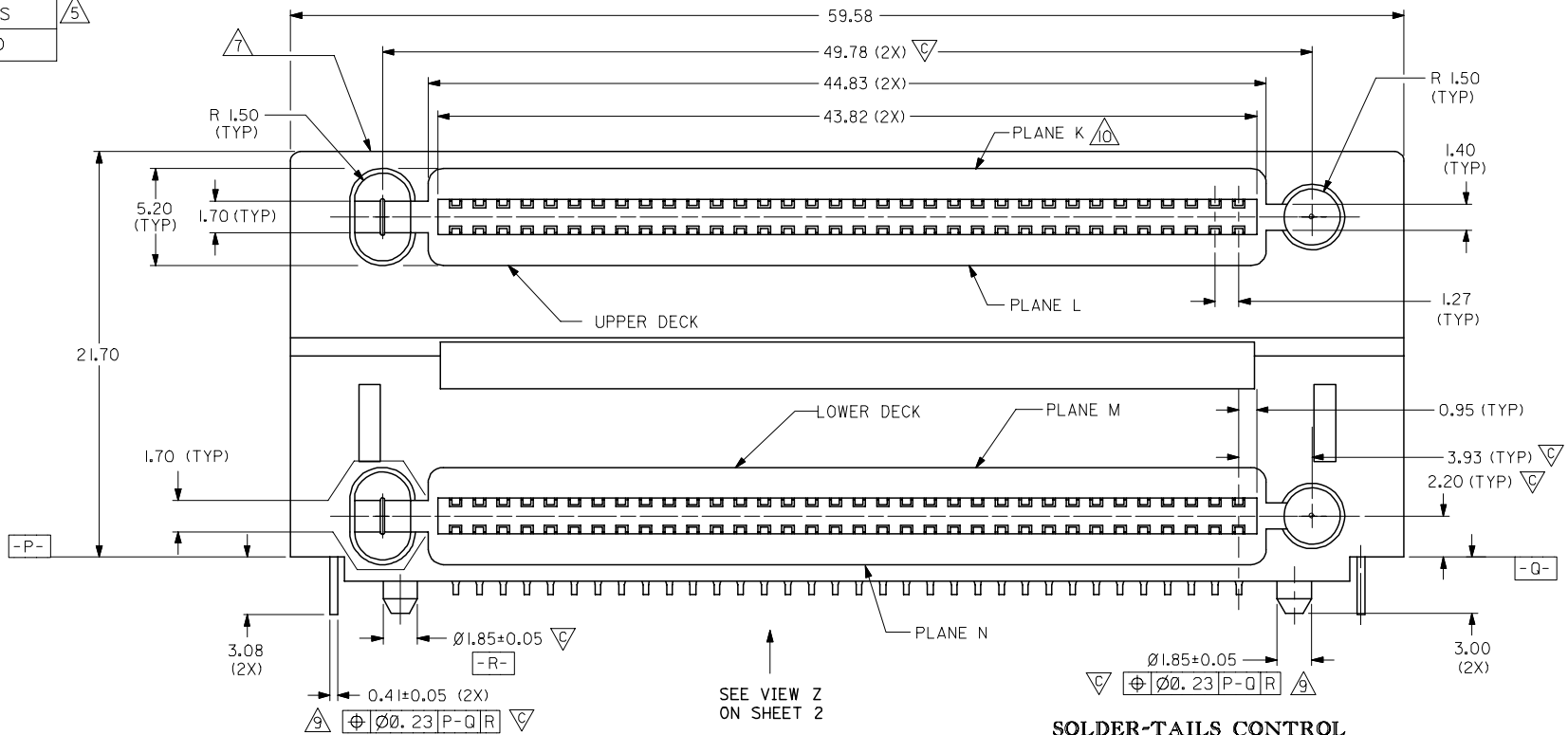
Sales Drawing

SD-87599-001

This document was generated on 03/18/2010

PLEASE CHECK WWW.MOLEX.COM FOR LATEST PART INFORMATION

PART NUMBER	CKT SIZE	LUBRICATION
87599-1001	136	YES
87599-1011	136	NO

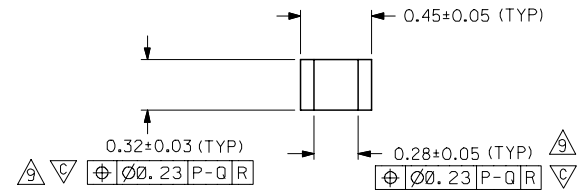


NOTES

- MATERIAL:
HOUSING: LCP, 30% GLASS FILLED, UL94V-0, BLACK
TERMINALS: PHOSPHOR BRONZE
THREADED INSERT: BRASS
- PLATING:
0.76um MIN. GOLD IN SELECTIVE CONTACT AREA AND
2.54um MIN. TIN IN SOLDER-TAIL AREA,
BOTH OVER 1.27um MIN. NICKEL.
- RECOMMENDED PCB THICKNESS IS 1.57mm.
- CIRCUIT #58 TO BE RECESSED 0.50mm. BEHIND ALL OTHER CONTACTS.
- LUBRICATION TYPE IS NYEACT 570H-2
- TO MATE WITH MOLEX P/N 71661-7068
- 4-DIGIT DATECODE "YYWW" TO BE LOCATED AS SHOWN. EXAMPLE: "9818"
- THREADED INSERT DEPTH FROM SEATING PLANE IS 7.70mm.
- ALL POSITIONAL TOLERANCE TO BE GAUGED.
- BOW ALLOWABLE ON PLANE K, L, M, N SHALL BE
0.13mm MAX BEFORE IR AND 0.20mm MAX AFTER IR

SEE VIEW Z
ON SHEET 2

SOLDER-TAILS CONTROL



OBS TIN/LEAD P/N EC NO: S2006-0729 DRWN:HLONG CHKD:SHONG APPR:KCLING	2006/02/27	2006/02/27	2006/02/28
	2006/02/27	2006/02/27	2006/02/28
	2006/02/27	2006/02/27	2006/02/28
	2006/02/27	2006/02/27	2006/02/28

QUALITY SYMBOLS	▽=0
▽=8	

	GENERAL TOLERANCES (UNLESS SPECIFIED)	
	mm	INCH
4 PLACES	± ---	± ---
3 PLACES	± ---	± ---
2 PLACES	± 0.25	± ---
1 PLACE	± ---	± ---
ANGULAR ± 3 °		
DRAFT WHERE APPLICABLE MUST REMAIN WITHIN DIMENSIONS		

DIMENSION STYLE		SCALE	DESIGN UNITS	THIRD ANGLE PROJECTION
MM ONLY		NTS	METRIC	
DRAWN BY	DATE	TITLE		
PTL IM	1998/04/30	EBBI STACKED, RECEPTACLE		
CHECKED BY	DATE			
SKTOH	1998/07/02			
APPROVED BY	DATE			
JAMES	1998/07/06			
MATERIAL NO.	DOCUMENT NO.	SHEET NO.		
	SD-87599-001	1 OF 3		

SIZE	SEE TABLE
THIS DRAWING CONTAINS INFORMATION THAT IS PROPRIETARY TO MOLEX INCORPORATED AND SHOULD NOT BE USED WITHOUT WRITTEN PERMISSION	

10 9 8 7 6 5 4 3 2 1

F

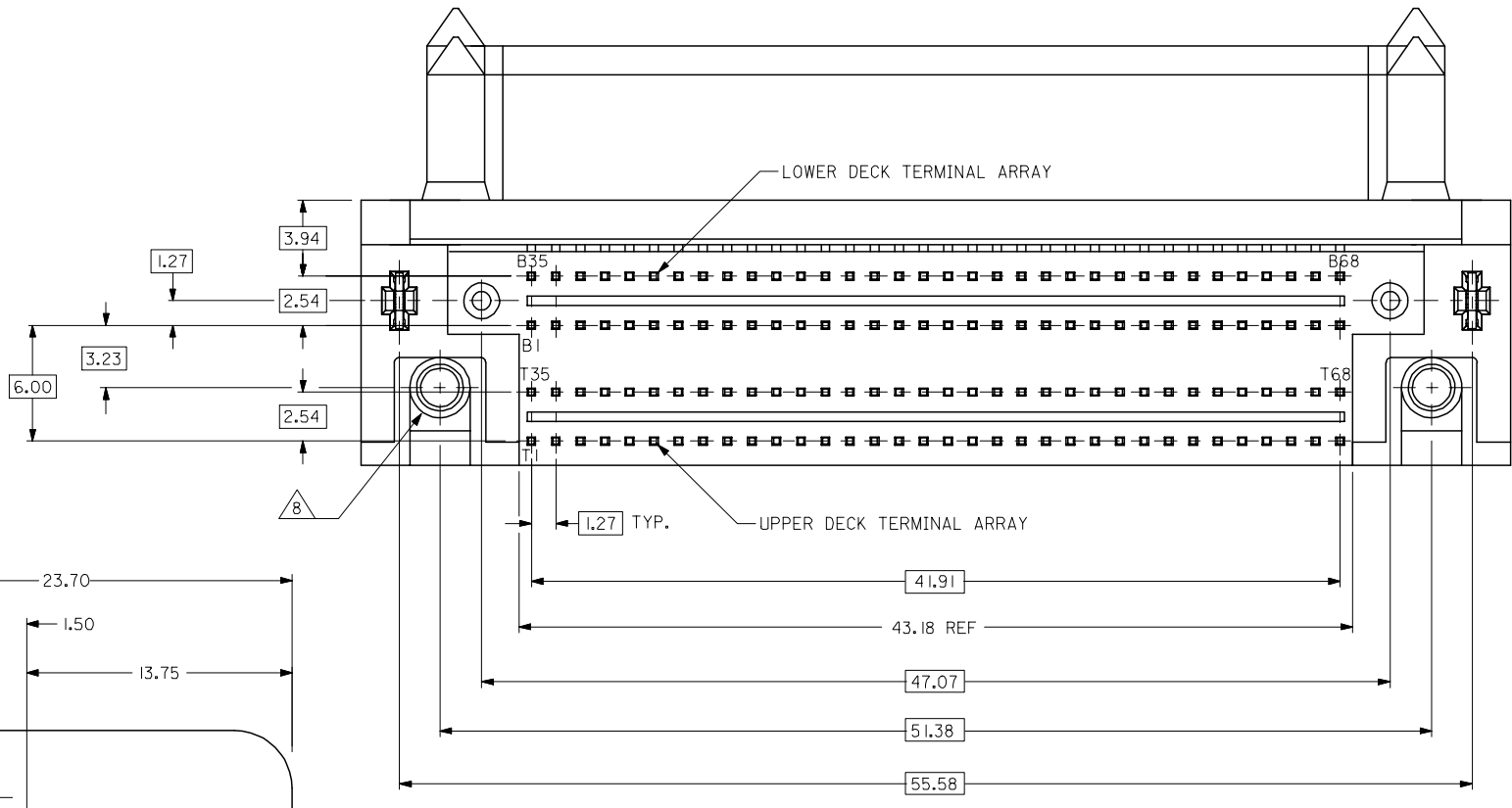
E

D

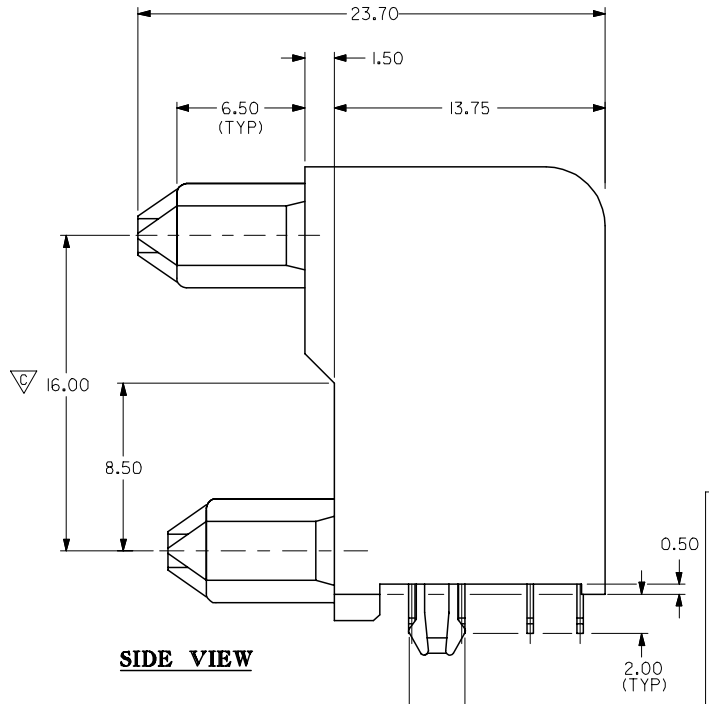
C

B

A



VIEW Z



SIDE VIEW

$\Delta \nabla$ $\Phi \varnothing 0.23 P-Q R$

OBS TIN/LEAD P/N	2006/02/27
EC NO: S2006-0729	2006/02/27
DRWN:MLONG	2006/02/27
CHKD:SHONG	2006/02/28
APPR:KCLING	

QUALITY SYMBOLS	$\nabla = 0$
	$\nabla = 2$
DESCRIPTION	
REV	

GENERAL TOLERANCES (UNLESS SPECIFIED)	
	mm INCH
4 PLACES	$\pm \text{---}$ $\pm \text{---}$
3 PLACES	$\pm \text{---}$ $\pm \text{---}$
2 PLACES	± 0.25 $\pm \text{---}$
1 PLACE	$\pm \text{---}$ $\pm \text{---}$
ANGULAR $\pm 3^\circ$	
DRAFT WHERE APPLICABLE MUST REMAIN WITHIN DIMENSIONS	

DIMENSION STYLE	
MM ONLY	
DRAWN BY	DATE
PTL IM	1998/04/30
CHECKED BY	DATE
SKTOH	1998/07/02
APPROVED BY	DATE
JAMES	1998/07/06
MATERIAL NO.	
SEE TABLE	

SCALE	DESIGN UNITS	THIRD ANGLE PROJECTION
NTS	METRIC	
TITLE		
EBBI STACKED, RECEPTACLE		
MOLEX INCORPORATED		
DOCUMENT NO.	SHEET NO.	
SD-87599-001	2 OF 3	
THIS DRAWING CONTAINS INFORMATION THAT IS PROPRIETARY TO MOLEX INCORPORATED AND SHOULD NOT BE USED WITHOUT WRITTEN PERMISSION		

9 8 7 6 5 4 3 2 1

