

**PLEASE CHECK WWW.MOLEX.COM FOR LATEST PART INFORMATION**

**Part Number:** [0850010012](#)  
**Status:** **Active**  
**Overview:** IEC 603-2 / DIN 41612  
**Description:** 2.54mm (.100") Pitch DIN 41612 Header, Style B/2, Right Angle, Through Hole, 0.6µm (24µ") Selective Gold (Au), 32 Circuits

**Documents:**

[3D Model](#) [Product Specification PS-85003-0001 \(PDF\)](#)  
[Drawing \(PDF\)](#) [RoHS Certificate of Compliance \(PDF\)](#)

**Agency Certification**

CSA LR19980  
 UL E29179

**General**

Product Family Backplane Connectors  
 Series [85001](#)  
 Application Daughtercard  
 Component Type PCB Header  
 Overview [IEC 603-2 / DIN 41612](#)  
 Product Name IEC 603-2/DIN 41612  
 Style B/2

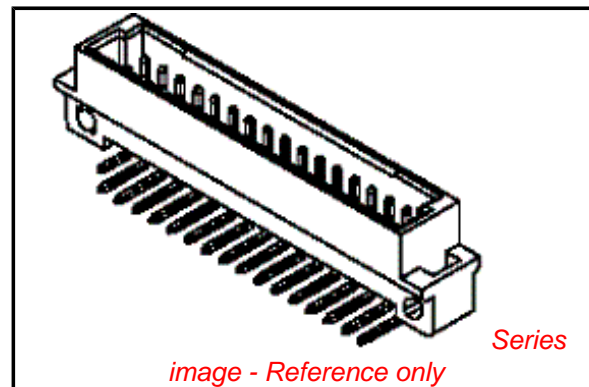
**Physical**

Circuits (Loaded) 32  
 Circuits (maximum) 32  
 Circuits Detail Contact Positions at: A:a1-a16; B:b1-b16  
 Durability (mating cycles max) 400  
 First Mate / Last Break No  
 Flammability 94V-0  
 Guide to Mating Part No  
 Keying to Mating Part Yes  
 Number of Columns 16  
 Number of Pairs Open Pin Field  
 Number of Rows 2  
 Orientation Right Angle  
 PC Tail Length (in) 0.118 In  
 PC Tail Length (mm) 3.00 mm  
 PCB Locator No  
 PCB Retention Yes  
 PCB Thickness Recommended (in) 0.062 In  
 PCB Thickness Recommended (mm) 1.60 mm  
 Packaging Type Bag  
 Pitch - Mating Interface (in) 0.100 In  
 Pitch - Mating Interface (mm) 2.54 mm  
 Pitch - Term. Interface (in) 0.100 In  
 Pitch - Term. Interface (mm) 2.54 mm  
 Temperature Range - Operating -55°C to +125°C  
 Termination Interface: Style Through Hole

**Electrical**

Current - Maximum per Contact 1.5A  
 Data Rate 622.0 Mbps  
 Voltage - Maximum 250V AC (RMS)

**Material Info**



**EU RoHS**

**ELV and RoHS Compliant**  
**REACH SVHC**  
 Not Reviewed  
**Halogen-Free Status**  
 Not Reviewed

**China RoHS**



**Need more information on product environmental compliance?**

Email [productcompliance@molex.com](mailto:productcompliance@molex.com)  
 For a multiple part number RoHS Certificate of Compliance, [click here](#)

Please visit the [Contact Us](#) section for any non-product compliance questions.

**Search Parts in this Series**

[85001Series](#)

**Mates With**

DIN 41612 Receptacle [85040](#) , [85050](#)

**Reference - Drawing Numbers**

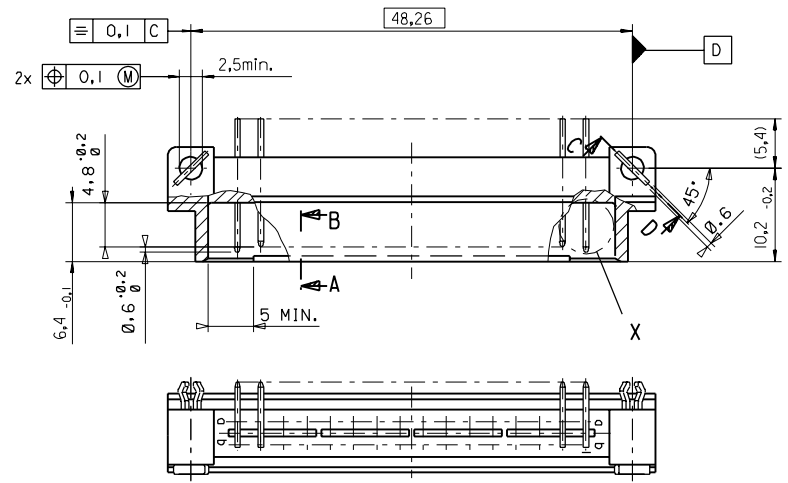
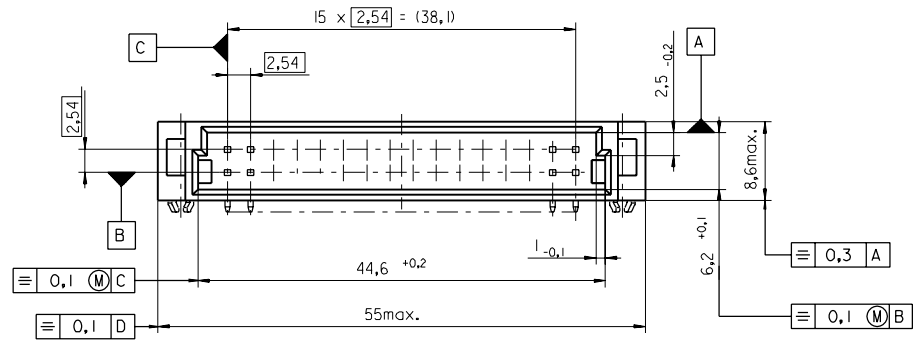
Product Specification  
Sales Drawing

PS-85003-0001  
SDA-85001-0002, SDA-85001-0012

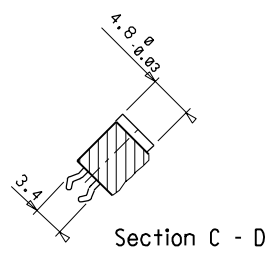
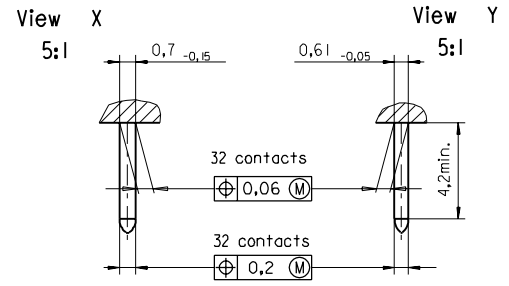
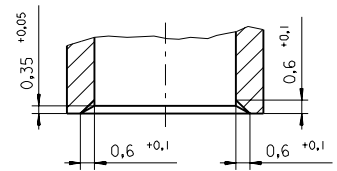
This document was generated on 03/09/2010

**PLEASE CHECK [WWW.MOLEX.COM](http://WWW.MOLEX.COM) FOR LATEST PART INFORMATION**

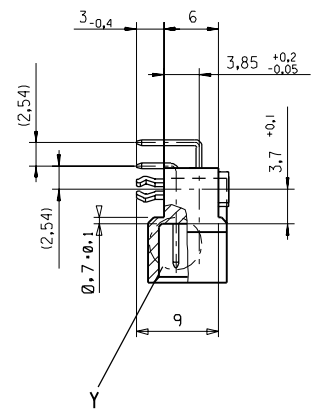
PART NO.  
DWG. NO.



Section A - B  
5:1



Section C - D



FIRST ANGLE PROJECTION		REVISE ONLY ON CAD SYSTEM		SH.	REV.
first release see ECN No. 1887	REVISIONS FOR PREVIOUS REVISIONS SEE MRI LIST	UNLESS OTHERWISE SPECIFIED TOLERANCES: ANGULAR ±2°	DRWG BY <b>Ca</b>	CAD/CAM PROJECT NAME 8500000 621	
		INCH METRIC	CHK'D BY <b>KN</b>	THIS DRAWING CONTAINS INFORMATION THAT IS PROPRIETARY TO MOLEX INC. & SHOULD NOT BE USED WITHOUT WRITTEN PERMISSION	
		3 PLACE ± . ±	APP'D BY	TITLE <b>32 pos. Male connector acc. DIN 41612 style B/2 Dimensions</b>	
		2 PLACE ± . ±	SCALE	SHEET NO. DATE 1 OF 95/06/06	
		1 PLACE ± . ±	2:1	MOLEX MOLEX EUROPE	
		DRAFT WHERE APPLICABLE MUST REMAIN WITHIN DIMENSIONS		PART NO. DWG NO. SIZE	
		DESIGN DIMENSION <input checked="" type="checkbox"/> MM		SDA-85001-0002 B	
		EQUIVALENT DIMENSION <input type="checkbox"/> MM			
		IF TWO DIMENSIONS ARE SHOWN THE UPPER IS THE DESIGN DIMENSION, LOWER IS SECONDARY			

VIEW ON MATING SIDE

∞	B	B	B	B	B	B	B	B	B	B	B	B	B	B
◁	A	A	A	A	A	A	A	A	A	A	A	A	A	A

11 12 13 14 15 16 17 18 19 20 21 22 23 24 25 26 27 28 29 30 31 32

A = 16 STANDARD CONTACTS L=3

B = 16 STANDARD CONTACTS L=3

S = 32 TOTAL NUMBER OF CONTACTS

Marking	Standard
Performance level	G2/0 = Contact area level2 / Termination tin
Flux proof	no
Fixing clip	no
Dimensions	SDA-85001-0002 sht.1
Technical Data	PS-85003-0001

B	G2/0
A	G2/0
Contact symbol	Perform. level
Contact position number	

C	see ECN No. 2204
	96/07/18 Cd
LTR	REVISIONS
FOR PREVIOUS REVISIONS SEE MRI LIST	

UNLESS OTHERWISE SPECIFIED TOLERANCES: ANGULAR ± 2°	DRWG BY	SIGN
INCH	Cd	
3 PLACE ± .	CHK'D BY	SIGN
2 PLACE ± .	KN	
1 PLACE ± .	APP'D BY	SIGN
DRAFT WHERE APPLICABLE MUST REMAIN WITHIN DIMENSIONS	SCALE	
DESIGN DIMENSION	<input type="checkbox"/> MM <input type="checkbox"/> IN.	
EQUIVALENT DIMENSION	<input type="checkbox"/> MM <input type="checkbox"/> IN.	
IF TWO DIMENSIONS ARE SHOWN, THE UPPER IS THE DESIGN DIMENSION, LOWER IS SECONDARY		

C	see ECN No. 2204	96/07/18 Cd	REVISIONS	FOR PREVIOUS REVISIONS SEE MRI LIST
	LTR	REVISIONS	FOR PREVIOUS REVISIONS SEE MRI LIST	
CAD/CAM PROJECT NAME		SIGN	DRWG BY	SIGN
S8500100			Cd	
S11			CHK'D BY	SIGN
			KN	
			APP'D BY	SIGN
TITLE		THIS DRAWING CONTAINS INFORMATION THAT IS PROPRIETARY TO MOLEX INC. & SHOULD NOT BE USED WITHOUT WRITTEN PERMISSION		
32 pos. Male connector acc. DIN 41612 style B/2 contacts arrangement		SH. REV.		
MOLEX EUROPE		SHEET NO. DATE		
85001-0012		1 OF 1 95/05/23		
PART NO.		DWG NO.		
85001-0012		SDA-85001-0012		
SIZE		A		