

PLEASE CHECK WWW.MOLEX.COM FOR LATEST PART INFORMATION

Part Number: [0781961001](#)
Status: **Active**
Overview: projector lamp connector
Description: 5.40mm (.213") Pitch Projector Lamp Receptacle Housing, 2 Circuits, Leadfree

Documents:

[3D Model](#) [Product Specification PS-78196-001 \(PDF\)](#)
[Drawing \(PDF\)](#) [RoHS Certificate of Compliance \(PDF\)](#)

Agency Certification

TUV R72081037
 UL E29179

General

Product Family Crimp Housings
 Series [78196](#)
 Overview [projector lamp connector](#)
 Product Name DLP*

Physical

Circuits (maximum) 2
 Flammability 94V-0
 Gender Receptacle
 Glow-Wire Compliant No
 Number of Rows 1
 Packaging Type Bag
 Panel Mount No
 Pitch - Mating Interface (in) 0.213 In
 Pitch - Mating Interface (mm) 5.40 mm
 Polarized to Mating Part Yes
 Stackable No
 Temperature Range - Operating -20°C TO +150°C

Electrical

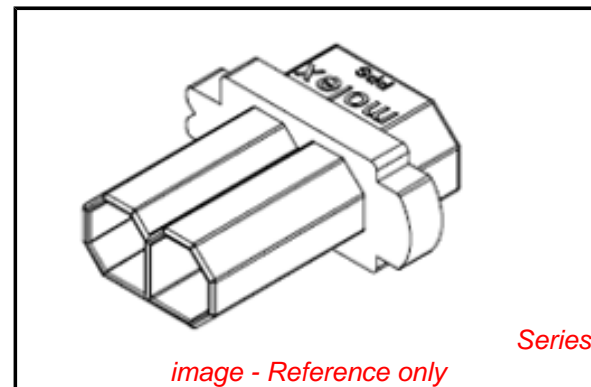
Current - Maximum per Contact 7A

Material Info

Reference - Drawing Numbers

Product Specification PS-78196-001
 Sales Drawing SD-78196-002

* DLP is a registered trademark of Texas Instruments Incorporated



EU RoHS

**ELV and RoHS
 Compliant**
REACH SVHC
 Not Reviewed
**Halogen-Free
 Status**

China RoHS



**Need more information on product
 environmental compliance?**

Email productcompliance@molex.com
 For a multiple part number RoHS Certificate of
 Compliance, [click here](#)

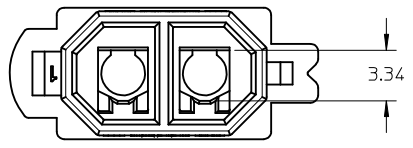
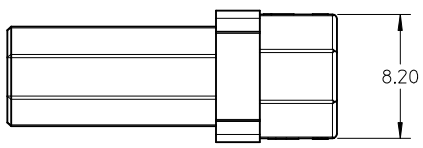
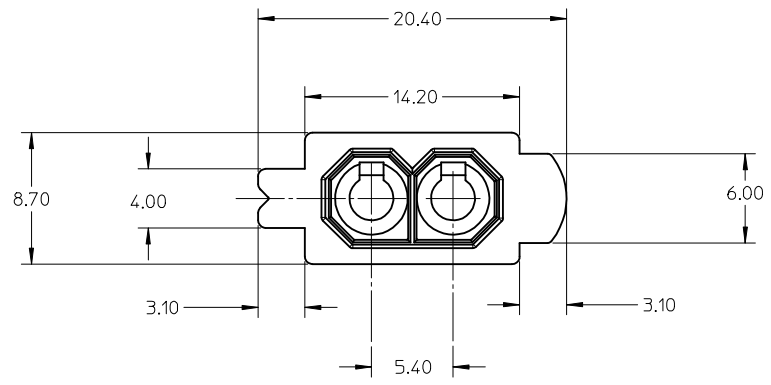
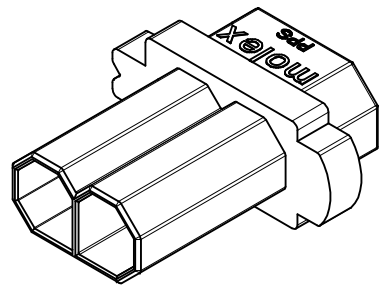
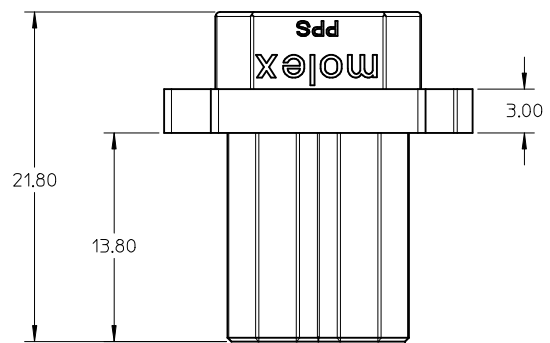
Please visit the [Contact Us](#) section for any
 non-product compliance questions.

Search Parts in this Series

[78196Series](#)

Mates With

[781971001 Plug Housing](#)



- NOTES:
1. MATERIAL: PPS GLASS/MINERAL FILLED, UL94V-0, COLOR: BLACK
 2. MATE WITH 78197 SERIES.
 3. TERMINAL TO BE USED : P/N 78036-2005.
 4. PACKAGING INFORMATION : BULK PACKAGING IN POLYBAG.
 5. PRODUCT SPECIFICATION : PS-78196-001

MOD. CHAMFER EC NO: S2009-0727 DRWN:JTAN02 CHKD:KHLIM APPR:BOKOK	2009/03/27 2009/03/30 2009/03/31	DESCRIPTION REV	QUALITY SYMBOLS	GENERAL TOLERANCES (UNLESS SPECIFIED)	DIMENSION STYLE	SCALE	DESIGN UNITS	THIRD ANGLE PROJECTION	
			$\nabla=0$ $\nabla=0$	mm INCH 4 PLACES ± --- ± --- 3 PLACES ± --- ± --- 2 PLACES ± 0.3 ± --- 1 PLACE ± 0.5 ± --- ANGULAR ± 3 °	MM ONLY	NTS	METRIC	DRAWN BY: BOKOK DATE: 2007/05/02 CHECKED BY: CGTAN DATE: 2007/05/08 APPROVED BY: KCLING DATE: 2007/05/09	TITLE: PROJECTOR LAMP CONNECTOR 5.4MM PITCH, RECEPTACLE HOUSING MOLEX INCORPORATED
			DRAFT WHERE APPLICABLE MUST REMAIN WITHIN DIMENSIONS	MATERIAL NO.	DOCUMENT NO.	SHEET NO.	78196-1001 SD-78196-002 1 OF 1		
			SIZE: A3	THIS DRAWING CONTAINS INFORMATION THAT IS PROPRIETARY TO MOLEX INCORPORATED AND SHOULD NOT BE USED WITHOUT WRITTEN PERMISSION					