

**PLEASE CHECK WWW.MOLEX.COM FOR LATEST PART INFORMATION**

**Part Number:** [0780658002](#)  
**Status:** **Active**  
**Description:** 1.00mm (.039") Pitch DDR2 DIMM Socket, Very Low Profile, Vertical, Press-fit, 1.8V Center Keys, 4.20mm (.165") Tail Length, Black Latches, 240 Circuits, 0.76µm (30µm) Gold(Au) Plating, Lead-free

**Documents:**

[3D Model](#) [Product Specification PS-78065-001 \(PDF\)](#)  
[Drawing \(PDF\)](#) [RoHS Certificate of Compliance \(PDF\)](#)

**Agency Certification**

CSA LR19980  
 UL E29179

**General**

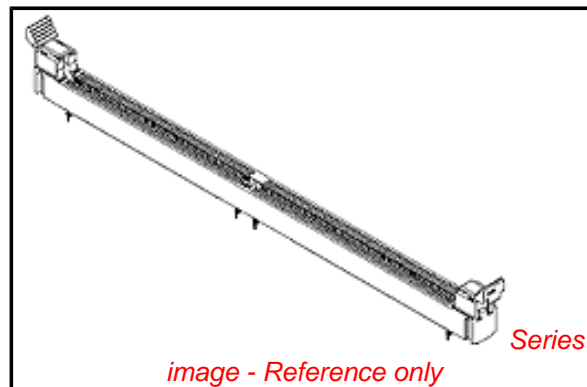
Product Family Memory Module Sockets  
 Series [78065](#)  
 Comments <LI>Latches in Black Color  
 Component Type Socket  
 JEDEC Outline MO-237  
 Product Name DDR2 DIMM

**Physical**

Circuits (Loaded) 240  
 Circuits (maximum) 240  
 Color - Resin Black  
 Durability (mating cycles max) 25  
 Entry Angle Vertical  
 Flammability 94V-0  
 Function Key None  
 Keying to Mating Part Yes  
 Material - Metal Phosphor Bronze  
 Material - Plating Mating Gold  
 Material - Plating Termination Tin  
 Material - Resin High Temperature Thermoplastic  
 PC Tail Length (in) 0.165 In  
 PC Tail Length (mm) 4.20 mm  
 PCB Locator No  
 PCB Retention Yes  
 PCB Thickness Recommended (in) 0.180 In  
 PCB Thickness Recommended (mm) 4.57 mm  
 Packaging Type Tray  
 Pitch - Mating Interface (in) 0.039 In  
 Pitch - Mating Interface (mm) 1.00 mm  
 Pitch - Term. Interface (in) 0.039 In, 0.197 In  
 Pitch - Term. Interface (mm) 1.00 mm, 5.00 mm  
 Plating min: Mating (µin) 30.4  
 Plating min: Mating (µm) 0.76  
 Plating min: Termination (µin) 15.2  
 Plating min: Termination (µm) 0.38  
 Temperature Range - Operating -55°C to +85°C  
 Termination Interface: Style Through Hole - Compliant Pin

**Electrical**

Current - Maximum per Contact 0.5A  
 Voltage - Maximum 30V AC (RMS)/DC



**EU RoHS**

**ELV and RoHS Compliant**  
**REACH SVHC Contains SVHC: No**  
**Halogen-Free Status**  
**Not Reviewed**

**China RoHS**



**Need more information on product environmental compliance?**

Email [productcompliance@molex.com](mailto:productcompliance@molex.com)  
 For a multiple part number RoHS Certificate of Compliance, [click here](#)

Please visit the [Contact Us](#) section for any non-product compliance questions.

**Search Parts in this Series**

[78065Series](#)

**Mates With**

JEDEC MO-237 modules

Voltage Key

Center

**Material Info**

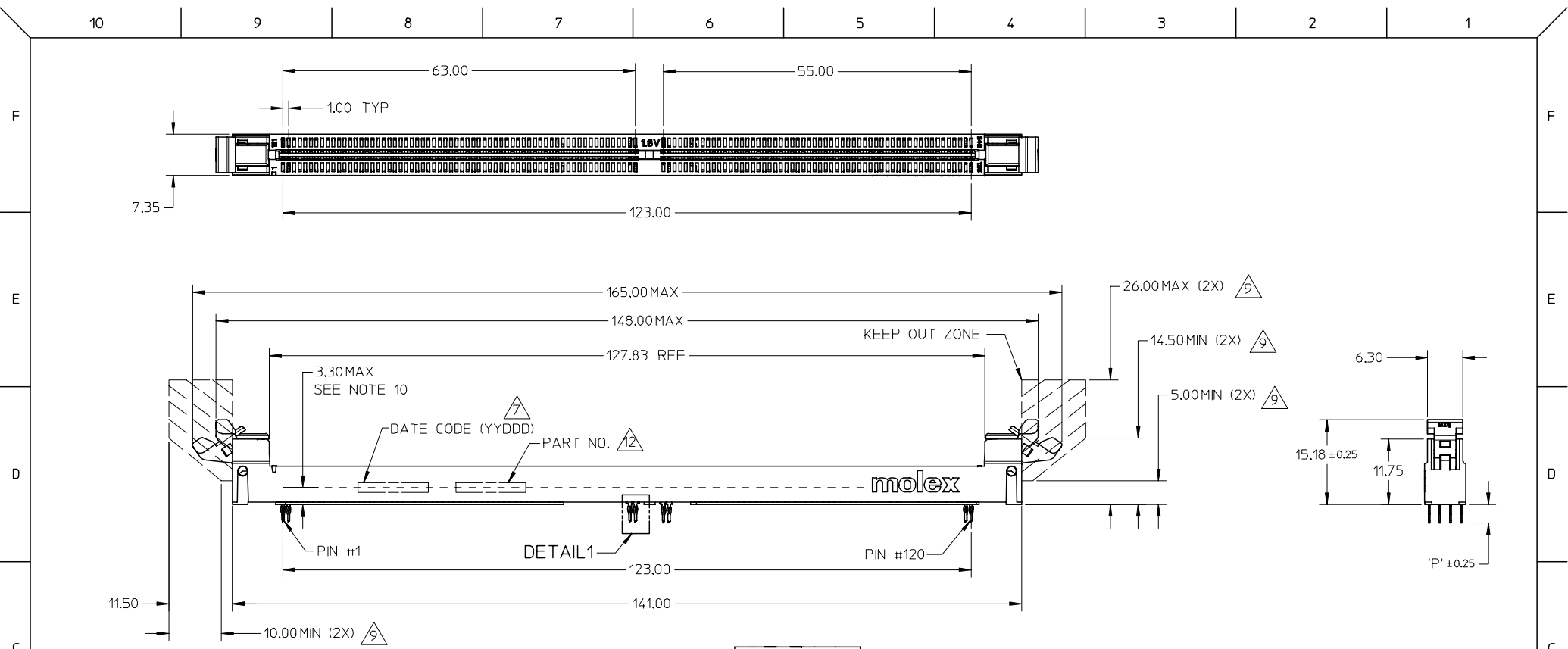
**Reference - Drawing Numbers**

Product Specification  
Sales Drawing

PS-78065-001, RPS-78065-002  
SD-78065-001

This document was generated on 04/13/2010

**PLEASE CHECK [WWW.MOLEX.COM](http://WWW.MOLEX.COM) FOR LATEST PART INFORMATION**

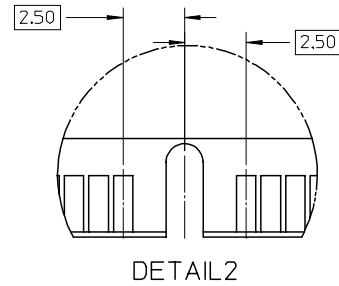
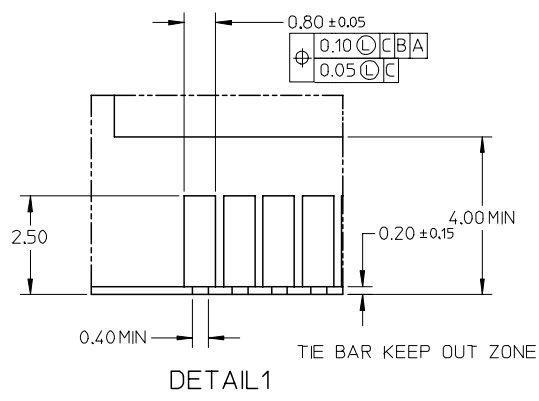
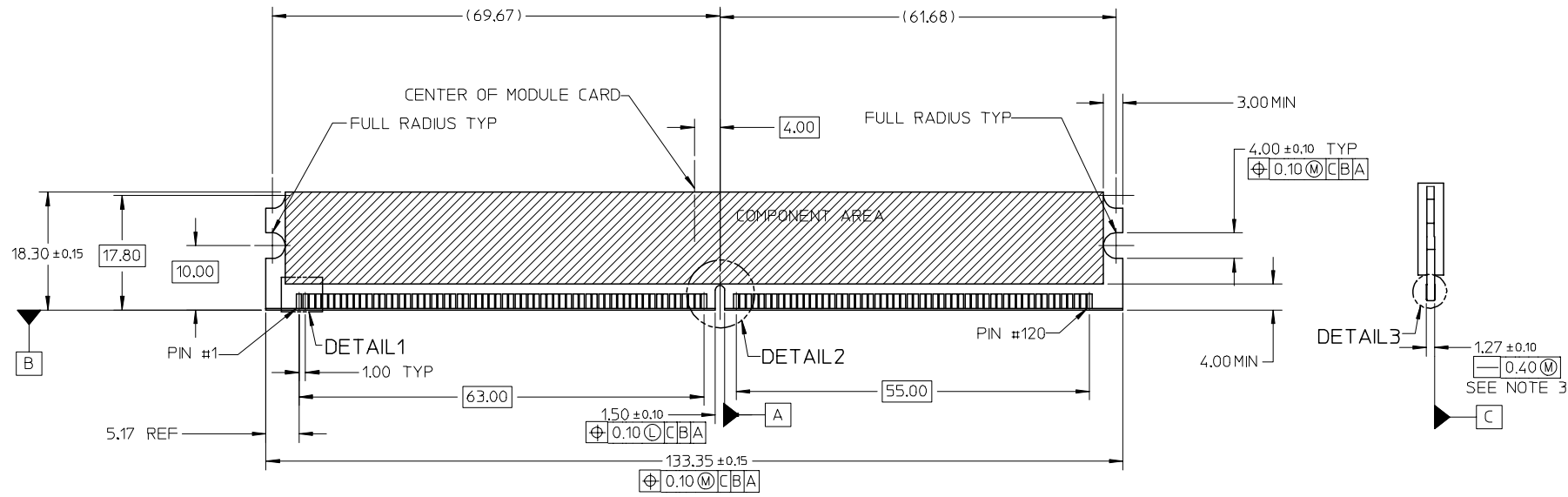


- NOTES:
- MATERIALS  
HOUSING - HIGH TEMP NYLON GLASS FILLED, UL 94V-0, COLOR - BLACK  
EJECTOR - HIGH TEMP NYLON 46, COLOR: BLACK  
TERMINAL - PHOSPHOR BRONZE
  - PLATING - SEE TABLE IN SHEET 4.
  - CARD SLOT ACCEPTS 1.27±0.10MM MODULE THICKNESS.
  - RECOMMENDED MODULE LAYOUT SHALL BE AS PER JEDEC MO-237.
  - REFER TO PRODUCT SPEC. PS-78065-100 FOR PERFORMANCE SPECIFICATIONS.
  - PRODUCT SHALL BE PACKED IN TRAY.
  - PRODUCT SHALL HAVE DATE CODE STAMPED ON SIDE OF HOUSING.
  - KEEP OUT AREA IS THE AREA WHERE THE CONNECTOR IS MOUNTED ONTO THE PCB WHICH DOES NOT INCLUDE THE LATCH.
  - KEEP OUT ZONE AS PER JEDEC S0-001.
  - DIMM MODULE SEATING PLANE FROM TOP OF PCB.
  - CONTACT MOLEX FOR AVAILABILITY OF PRODUCT OPTIONS.
  - PART NUMBER SHALL BE MARKED LEGIBLY AS 78065-\*\*\*\*.

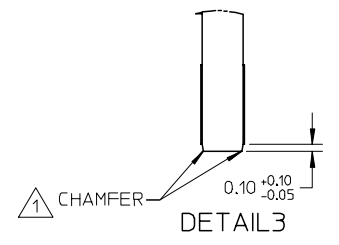
UPDATE M.C DWG EC NO: S2008-0319 DRWN:CMTEO CHKD:CCTEH APPR:SHLENI	2007/10/18 2007/10/19 2007/10/22	QUALITY SYMBOLS ▽=0 ▽C=0	GENERAL TOLERANCES (UNLESS SPECIFIED)		DIMENSION STYLE MM ONLY	SCALE NTS	DESIGN UNITS METRIC	THIRD ANGLE PROJECTION	
			4 PLACES ± --- ± ---	3 PLACES ± --- ± ---	2 PLACES ± 0.20 ± ---	1 PLACE ± --- ± ---	ANGULAR ± 5 °	DRAWN BY VMANICKAM	DATE 2006/04/11
A1	REV	DESCRIPTION	DRAFT WHERE APPLICABLE MUST REMAIN WITHIN DIMENSIONS		APPROVED BY SRRAMESH	DATE 2006/06/22	MOLEX INCORPORATED		SHEET NO. 1 OF 4
			SEE TABLE		DOCUMENT NO. SD-78065-001				

10 9 8 7 6 5 4 3 2 1

RECOMMENDED MODULE LAYOUT



KEY LOCATION	VOLTAGE
CENTER	1.8V



NOTES:  
 ⚠ MODULE CARD USED FOR TESTS ARE WITH 0.10MM CHAMFER.

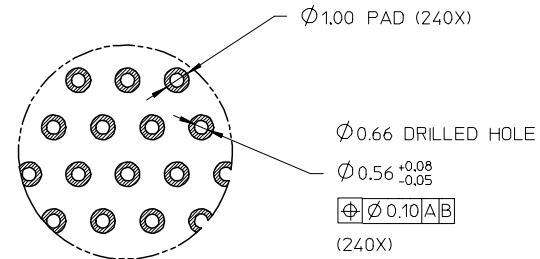
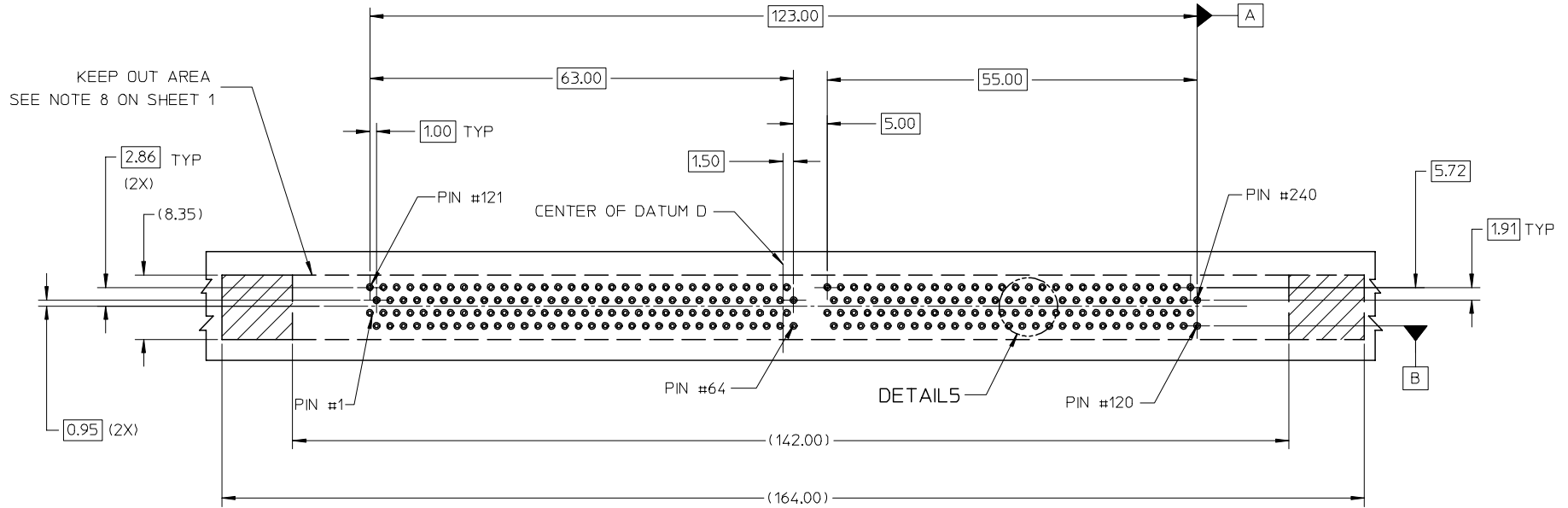
UPDATE M.C DWG EC NO: S2008-0319 DRWN:CMTEO 2007/10/18 CHKD:CCTEH 2007/10/19 APPR:SHLENI 2007/10/22	QUALITY SYMBOLS ▽=0 ▽=0	GENERAL TOLERANCES (UNLESS SPECIFIED) <table border="1"> <thead> <tr> <th></th> <th>mm</th> <th>INCH</th> </tr> </thead> <tbody> <tr> <td>4 PLACES</td> <td>± ---</td> <td>± ---</td> </tr> <tr> <td>3 PLACES</td> <td>± ---</td> <td>± ---</td> </tr> <tr> <td>2 PLACES</td> <td>± 0.20</td> <td>± ---</td> </tr> <tr> <td>1 PLACE</td> <td>± ---</td> <td>± ---</td> </tr> </tbody> </table>		mm	INCH	4 PLACES	± ---	± ---	3 PLACES	± ---	± ---	2 PLACES	± 0.20	± ---	1 PLACE	± ---	± ---	DIMENSION STYLE MM ONLY	SCALE NTS	DESIGN UNITS METRIC	THIRD ANGLE PROJECTION
		mm	INCH																		
	4 PLACES	± ---	± ---																		
	3 PLACES	± ---	± ---																		
2 PLACES	± 0.20	± ---																			
1 PLACE	± ---	± ---																			
DESCRIPTION A1	DRAFT WHERE APPLICABLE MUST REMAIN WITHIN DIMENSIONS	<table border="1"> <thead> <tr> <th>DRAWN BY</th> <th>DATE</th> <th>TITLE</th> </tr> </thead> <tbody> <tr> <td>VMANICKAM</td> <td>2006/04/11</td> <td rowspan="2">VLP DDR2 DIMM, 1MM PITCH 240 CKTS, VERT. PRESSFIT</td> </tr> <tr> <td>SHLENI</td> <td>2006/06/22</td> </tr> <tr> <th>APPROVED BY</th> <th>DATE</th> <th></th> </tr> <tr> <td>SRRAMESH</td> <td>2006/06/22</td> <td></td> </tr> </tbody> </table>	DRAWN BY	DATE	TITLE	VMANICKAM	2006/04/11	VLP DDR2 DIMM, 1MM PITCH 240 CKTS, VERT. PRESSFIT	SHLENI	2006/06/22	APPROVED BY	DATE		SRRAMESH	2006/06/22		MOLEX INCORPORATED	DOCUMENT NO. SD-78065-001	SHEET NO. 2 OF 4		
DRAWN BY	DATE	TITLE																			
VMANICKAM	2006/04/11	VLP DDR2 DIMM, 1MM PITCH 240 CKTS, VERT. PRESSFIT																			
SHLENI	2006/06/22																				
APPROVED BY	DATE																				
SRRAMESH	2006/06/22																				
SIZE A3	SEE TABLE	THIS DRAWING CONTAINS INFORMATION THAT IS PROPRIETARY TO MOLEX INCORPORATED AND SHOULD NOT BE USED WITHOUT WRITTEN PERMISSION																			

9 8 7 6 5 4 3 2 1

10 9 8 7 6 5 4 3 2 1

F  
E  
D  
C  
B  
A

(SEE RECOMMENDED THICKNESS IN TABLE)  
RECOMMEND PCB LAYOUT  
CONNECTOR SIDE



DETAIL5

UPDATE M.C DWG EC NO: S2008-0319 DRWN:CMTEO 2007/10/18 CHKD:CCTEH 2007/10/19 APPR:SHLENI 2007/10/22	QUALITY SYMBOLS ▽=0 ▽=0	GENERAL TOLERANCES (UNLESS SPECIFIED)		DIMENSION STYLE MM ONLY		SCALE NTS	DESIGN UNITS METRIC	THIRD ANGLE PROJECTION		
			mm	INCH	DRAWN BY VMANICKAM	DATE 2006/04/11	TITLE VLP DDR2 DIMM, 1MM PITCH 240 CKTS, VERT. PRESSFIT			
		4 PLACES	± ---	± ---	CHECKED BY SHLENI	DATE 2006/06/22	MOLEX INCORPORATED			
		3 PLACES	± ---	± ---	APPROVED BY SRRAMESH	DATE 2006/06/22				
2 PLACES	± 0.20	± ---	DRAFT WHERE APPLICABLE MUST REMAIN WITHIN DIMENSIONS		SEE TABLE	DOCUMENT NO. SD-78065-001	SHEET NO. 3 OF 4			
1 PLACE	± ---	± ---								
		ANGULAR ± 5 °								

9 8 7 6 5 4 3 2 1

TIN OPTION

PART NO.	VOLTAGE KEY POS.	VOLTAGE	DIM 'P'	RECOMMENDED PCB THICKNESS	CONTACT AREA PLATING OPTION	SOLDERTAIL PLATING OPTION	LATCH COLOR
78065-8001	CENTER	1.8V	3.30	3.60	0.76µM/30µM MIN GOLD OVER 1.27µM/50µM MIN NICKEL UNDERPLATE	0.38-1.52µM/15-60µM TIN OVER 1.27µM/50µM MIN NICKEL UNDERPLATE	BLACK
78065-8002			4.20	4.57			

TIN/LEAD OPTION

PART NO.	VOLTAGE KEY POS.	VOLTAGE	DIM 'P'	RECOMMENDED PCB THICKNESS	CONTACT AREA PLATING OPTION	SOLDERTAIL PLATING OPTION	LATCH COLOR
78065-8101	CENTER	1.8V	3.30	3.60	0.76µM/30µM MIN GOLD OVER 1.27µM/50µM MIN NICKEL UNDERPLATE	0.38-1.52µM/15-60µM TIN/LEAD OVER 1.27µM/50µM MIN NICKEL UNDERPLATE	BLACK
78065-8102			4.20	4.57			

UPDATE M.C DWG EC NO: S2008-0319 DRWN:CMTEO CHKD:CCTEH APPR:SHLENI	2007/10/18 2007/10/19 2007/10/22	QUALITY SYMBOLS ▽=0 ▽=0	GENERAL TOLERANCES (UNLESS SPECIFIED)		DIMENSION STYLE MM ONLY		SCALE NTS	DESIGN UNITS METRIC	THIRD ANGLE PROJECTION		
			4 PLACES ± --- ± ---	mm INCH	DRAWN BY VMANICKAM	DATE 2006/04/11	TITLE VLP DDR2 DIMM, 1MM PITCH 240 CKTS, VERT. PRESSFIT				
			3 PLACES ± --- ± ---		CHECKED BY SHLENI	DATE 2006/06/22					
			2 PLACES ± 0.20 ± ---		APPROVED BY SRRAMESH	DATE 2006/06/22	MOLEX INCORPORATED				
		1 PLACE ± --- ± ---		MATERIAL NO.		DOCUMENT NO.					SHEET NO.
A1		REV	DRAFT WHERE APPLICABLE MUST REMAIN WITHIN DIMENSIONS		SEE TABLE		SD-78065-001		4 OF 4		