

PLEASE CHECK WWW.MOLEX.COM FOR LATEST PART INFORMATION

Part Number: **0673298030**
Status: **Active**
Description: Universal Serial Bus (USB) Shielded I/O Receptacle, Type A, Single Upright Right Angle, Solder Tail Length 2.00mm (.079"), 3.25mm (.128") Beveled Metal Pins, PCB Thickness 1.20mm (.045"), Gold (Au) Flash, Lead Free

Documents:

[3D Model](#) [RoHS Certificate of Compliance \(PDF\)](#)
[Drawing \(PDF\)](#)

Agency Certification

UL E29179

General

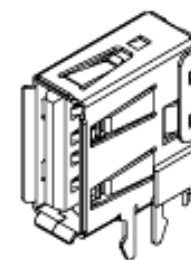
Product Family I/O Connectors
 Series [67329](#)
 Application Wire-to-Board
 Comments Standard Mount Type|Beveled Metal Pin Length: 3.25mm (.128")
 Component Type Receptacle
 Product Name USB
 Type A

Physical

Boot Color N/A
 Circuits (Loaded) 4
 Circuits (maximum) 4
 Flammability 94V-0
 Gender Receptacle
 Lock to Mating Part Yes
 Material - Plating Mating Gold
 Material - Plating Termination Tin
 Number of Rows 4
 Orientation Upright
 PC Tail Length (in) 0.079 In
 PC Tail Length (mm) 2.00 mm
 PCB Locator Yes
 PCB Retention Yes
 PCB Thickness Recommended (in) 0.047 In
 PCB Thickness Recommended (mm) 1.20 mm
 Packaging Type Tray
 Panel Mount No
 Pitch - Mating Interface (in) 0.000 In
 Pitch - Mating Interface (mm) 0.00 mm
 Pitch - Term. Interface (in) 0.055 In
 Pitch - Term. Interface (mm) 1.40 mm
 Polarized to Mating Part Yes
 Polarized to PCB Yes
 Ports 1
 Surface Mount Compatible (SMC) Yes
 Termination Interface: Style Through Hole
 Waterproof / Dustproof No

Electrical

Current - Maximum per Contact 1A
 Shield Type Full Shield



Series

image - Reference only

EU RoHS

ELV and RoHS Compliant
REACH SVHC
 Not Reviewed
Halogen-Free Status
 Not Reviewed

China RoHS



Need more information on product environmental compliance?

Email productcompliance@molex.com
 For a multiple part number RoHS Certificate of Compliance, [click here](#)

Please visit the [Contact Us](#) section for any non-product compliance questions.

Search Parts in this Series

[67329Series](#)

Mates With

USB Type A Plug

Shielded

Yes

Material Info

Reference - Drawing Numbers

Sales Drawing

SD-67329-808

This document was generated on 03/31/2010

PLEASE CHECK WWW.MOLEX.COM FOR LATEST PART INFORMATION

10 9 8 7 6 5 4 3 2 1

NOTES :

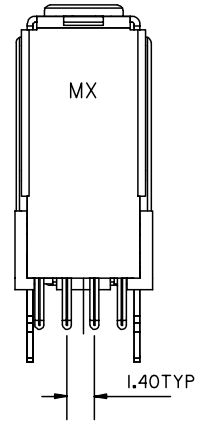
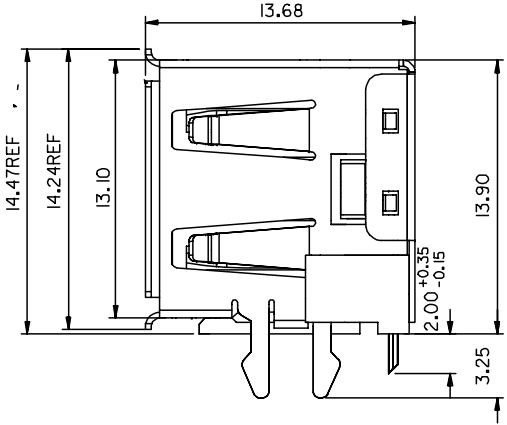
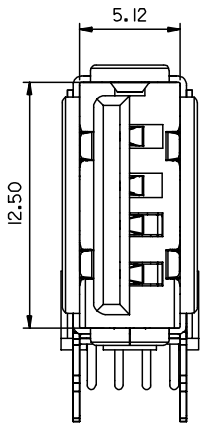
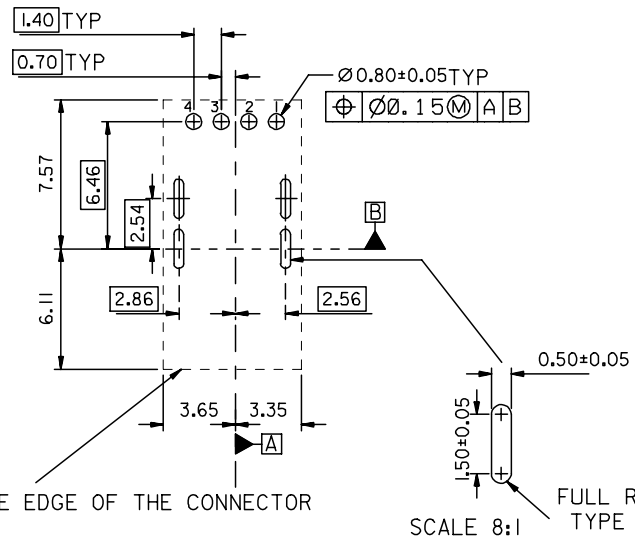
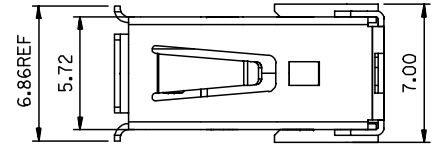
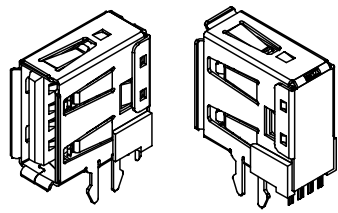
1. MATERIAL :

HOUSING : HIGH TEMPERTURE NYLON ,GLASS FIBER, UL94-V0 , COLOR: BLACK
 TERMINAL : PHOSPHOR BRONZE(PhBr), C5100 EH, PER ES-I24-E108
 METAL SHELL : COPPER ALLOY

2. PLATING :

TERMINAL :
 CONTACT AREA : (a) GOLD FLASH.
 (b) GL0D (Au), THICKNESS = 30 MICROINCH/0.76 MICROMETER
 SOLDER TAIL : PURE TIN(Sn), THICKNESS= 75 MICROINCH /1.9 MICROMETER
 UNDER PLATE : NICKEL (Ni), THICKNESS= 50 MICROINCH/1.27 MICROMETER
 METAL SHELL :
 PURE TIN(Sn), THICKNESS=50-100MICROINCH /1.27-2.54 MICROMETER.
 UNDER PLATE : NICKEL (Ni), THICKNESS= 50 MICROINCH/1.27 MICROMETER

3 RECOMMENDED PCB THICKNESS : 1.20±0.05 mm.
 4 PRODUCT SPECIFICATION : REFER TO PS-89485
 5 PACKAGING SPECIFICATION : REFER TO PS-67329-001



PART NUMBER LEGEND:

P/N	CONTACT PLATING
67329-8030	GOLD FLASH
67329-8031	0.76 MICROMETER/30 MICROINCH GOLD

NEW RELEASE EC NO: DRWN:HP/IAN CHKD:HARVEY APPR:HWANG	DESCRIPTION A	QUALITY SYMBOLS ▽=0 △=0	GENERAL TOLERANCES (UNLESS SPECIFIED)		DIMENSION STYLE MM ONLY	SCALE 4:1	DESIGN UNITS METRIC	THIRD ANGLE PROJECTION		
			mm	INCH	DRAWN BY QIANHUIPING	DATE 2005/12/09	TITLE USB A UPRIGHT CONN. FLANGE OUT TYPE WITH FORK LOCK LEAD-FREE			
			4 PLACES ± ---	± ---	CHECKED BY HARVEY	DATE 2005/12/09	MOLEX INCORPORATED			
			3 PLACES ± ---	± ---	APPROVED BY GARY	DATE 2005/12/09	MATERIAL NO. 67329-803*	DOCUMENT NO. SD-67329-808	SHEET NO. 1 OF 1	
		2 PLACES ± 0.15	± ---	DRAFT WHERE APPLICABLE MUST REMAIN WITHIN DIMENSIONS						
		1 PLACE ± 0.15	± ---	SIZE A3 THIS DRAWING CONTAINS INFORMATION THAT IS PROPRIETARY TO MOLEX INCORPORATED AND SHOULD NOT BE USED WITHOUT WRITTEN PERMISSION						
		ANGULAR ± 3 °								

9 8 7 6 5 4 3 2 1