

PLEASE CHECK WWW.MOLEX.COM FOR LATEST PART INFORMATION

Part Number: [0432498001](#)
Status: **Active**
Overview: [modular_plugs_jacks](#)
Description: Modular Jack, Right Angle, Low Profile, 8/10, Panel Stops

Documents:

[3D Model](#) [Product Specification PSX-43249 \(PDF\)](#)
[Drawing \(PDF\)](#) [RoHS Certificate of Compliance \(PDF\)](#)

Agency Certification

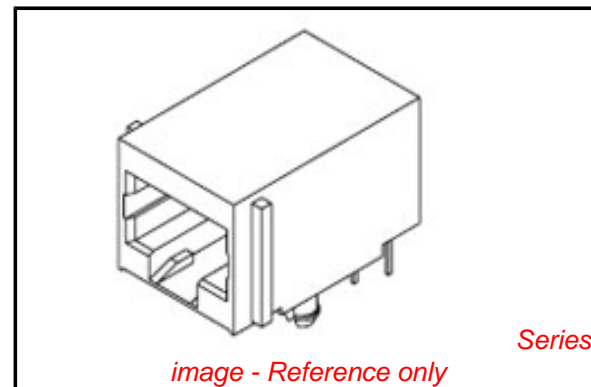
CSA LR19980
 UL E107635

General

Product Family Modular Jacks/Plugs
 Series [43249](#)
 Component Type PCB Jack
 Magnetic No
 Overview [modular_plugs_jacks](#)
 Performance Category 3, 4
 Power over Ethernet (PoE) N/A
 Product Name RJ45

Physical

Boot Color N/A
 Color - Resin Black
 Durability (mating cycles max) 500
 Flammability 94V-0
 Inverted / Top Latch No
 Lightpipes/LEDs None
 Material - Metal Phosphor Bronze
 Material - Plating Mating Gold
 Material - Plating Termination Tin
 Material - Resin High Temperature Thermoplastic
 Orientation Right Angle (Side Entry)
 PCB Locator Yes
 PCB Retention Yes
 PCB Thickness Recommended (in) 0.062 In
 PCB Thickness Recommended (mm) 1.57 mm
 Packaging Type Tray
 Pitch - Mating Interface (in) 0.040 In
 Pitch - Mating Interface (mm) 1.02 mm
 Pitch - Term. Interface (in) 0.050 In
 Pitch - Term. Interface (mm) 1.27 mm
 Plating min: Mating (µin) 50
 Plating min: Mating (µm) 1.25
 Plating min: Termination (µin) 100
 Plating min: Termination (µm) 2.5
 Ports 1
 Positions / Loaded Contacts 8/10
 Surface Mount Compatible (SMC) Yes
 Temperature Range - Operating -40°C to +85°C
 Termination Interface: Style Through Hole
 Waterproof / Dustproof No
 Wire/Cable Type N/A



EU RoHS

**ELV and RoHS
 Compliant**
REACH SVHC
 Not Reviewed
**Halogen-Free
 Status**
 Not Reviewed

China RoHS



**Need more information on product
 environmental compliance?**

Email productcompliance@molex.com
 For a multiple part number RoHS Certificate of
 Compliance, [click here](#)

Please visit the [Contact Us](#) section for any
 non-product compliance questions.

Search Parts in this Series

[43249Series](#)

Mates With

FCC 68 Plugs

Electrical

Current - Maximum per Contact	1.5A
Shielded	No
Voltage - Maximum	150V AC (RMS)

Solder Process Data

Lead-free Process Capability	Wave Capable (TH only)
------------------------------	------------------------

Material Info

Old Part Number	A432498001
-----------------	------------

Reference - Drawing Numbers

Packaging Specification	PK-43249-004
Product Specification	PSX-43249
Sales Drawing	SDA-43249

This document was generated on 06/07/2010

PLEASE CHECK WWW.MOLEX.COM FOR LATEST PART INFORMATION

NOTES:

1) MATERIAL:

HOUSING: NYLON(PA), GLASS FILLED, UL94V-0, COLOR: BLACK
 INSULATOR: NYLON(PA), GLASS FILLED, UL94V-0, COLOR: BLACK
 TERMINALS: PHOSPHOR BRONZE, .012/(0.30) THICK
 SHIELD: BRASS, .007/(0.18) THICK

2) FINISH:

TERMINALS:

- A = SELECT GOLD IN CONTACT AREA: 50 MICROINCHES / 1.27 MICROMETERS MIN.,
 *SELECT TIN IN PC TAIL AREA: 100 MICROINCHES / 2.54 MICROMETERS MIN.,
 WITH OVERALL NICKEL UNDERPLATE: 50 MICROINCHES / 1.27 MICROMETERS MIN.
- B = SELECT GOLD IN CONTACT AREA: 30 MICROINCHES / 0.76 MICROMETERS MIN.,
 *SELECT TIN IN PC TAIL AREA: 100 MICROINCHES / 2.54 MICROMETERS MIN.,
 WITH OVERALL NICKEL UNDERPLATE: 50 MICROINCHES / 1.27 MICROMETERS MIN.

SHIELD:

- *100 MICROINCHES / 2.54 MICROMETERS NICKEL OVER 50 MICROINCHES / 1.27 MICROMETERS COPPER UNDERPLATE, PCB GROUND TABS DIPPED IN TIN
- *THE PRIMARY SHIPPING CARTON WILL BE LABELED "COMPLIANT TO RoHS DIRECTIVE 2002/95/EC AND ELV ANNEX II OF DIRECTIVE 2000/53/EC". CARTONS WITHOUT THIS LABEL MAY CONTAIN PRODUCT WITH TIN-LEAD IN THE PC TAILS AND/OR SHIELD.

3) PRODUCT SPECIFICATION AND PROCESSING PARAMETERS: PS-43249.

4) PACKAGING SPECIFICATION:

- UNSHIELDED CONNECTOR ASSEMBLIES PACKAGED IN THERMOFORMED TRAYS PER MOLEX PACKAGING SPECIFICATION PK-43249-004.
- UNSHIELDED CONNECTOR ASSEMBLIES PACKAGED IN TUBES PER MOLEX PACKAGING SPECIFICATION PK-43249-005.
- SHIELDED CONNECTOR ASSEMBLIES PACKAGED IN THERMOFORMED TRAYS PER MOLEX PACKAGING SPECIFICATION PK-44050-004.

5) MATES WITH: MODULAR PLUGS THAT CONFORM TO FCC REGULATION PART 68.5.

6) SEE SHEET 3 FOR SHIELDED JACK ASSEMBLY.

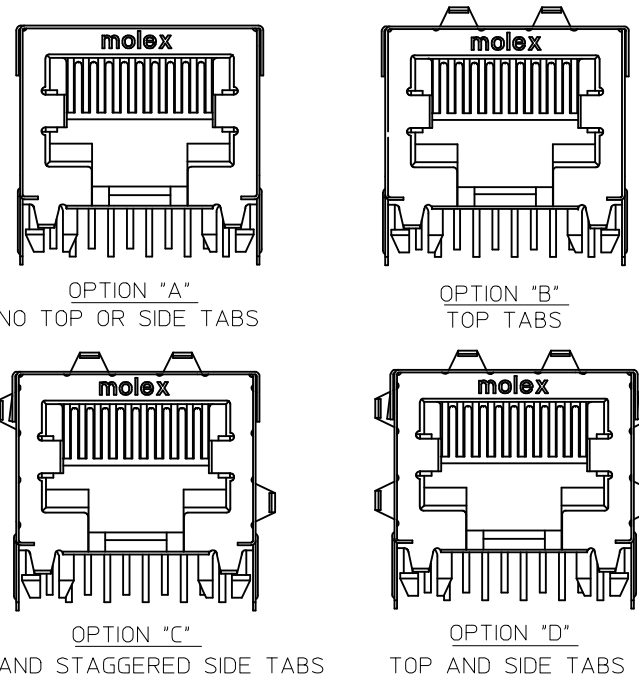
7) SEE SHEETS 5 & 6 FOR P.C. BOARD LAYOUTS.

8) ALL UNTOLERANCED DIMENSIONS ARE SHOWN FOR REFERENCE ONLY.

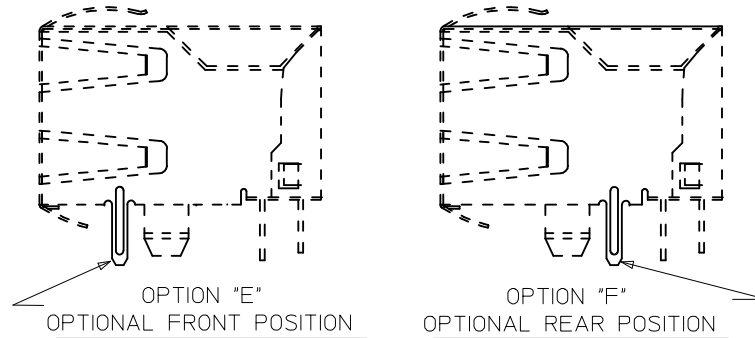
9) THIS PART CONFORMS TO CLASS B REQUIREMENTS OF COSMETIC SPECIFICATION PS-45499-002.

10) THIS PART CONFORMS TO FCC REGULATION 68.5 AND TIA 1096 FOR MODULAR JACKS.

SIDE/TOP GROUND TAB OPTIONS FOR SHIELDS



BOTTOM PCB GROUND TAB OPTIONS FOR SHIELDS



NOTE: EITHER PCB GROUND TAB OPTION IS AVAILABLE ON ALL SIDE/TOP TAB CONFIGURATIONS

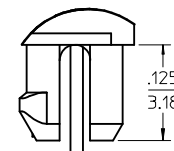
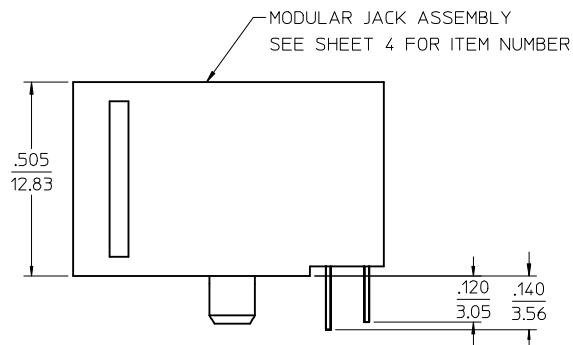
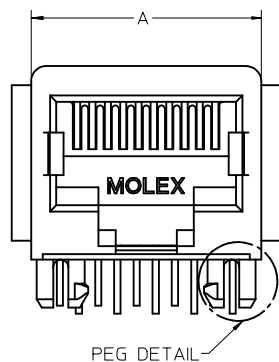
DRAWING LEGEND

- SHEET 1- NOTES, GROUND TAB OPTIONS
- SHEET 2- UNSHIELDED MODULAR JACK
- SHEET 3- SHIELDED MODULAR JACK WITH OPTIONAL SIDE/TOP GROUND TABS & BOTTOM GROUND TAB WITH OPTIONAL POSITION.
- SHEET 4- PART NUMBER CHARTS
- SHEET 5- FOOTPRINT LAYOUT FOR 8 POSITION HOUSING
- SHEET 6- FOOTPRINT LAYOUT FOR 6 POSITION HOUSING

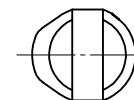
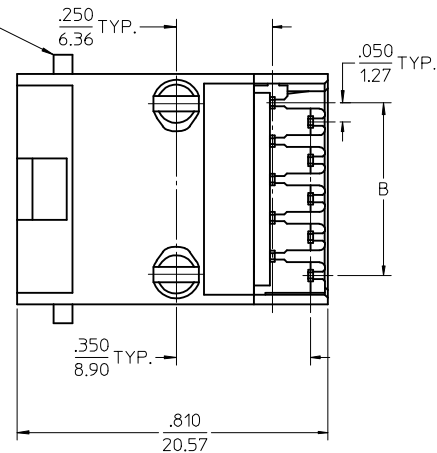
ADDED NOTE 10 EC NO: UCP2009-0740 DRWN:JKLOSTER/ER 2008/09/29 CHKD:JBELL 2008/10/03 APPR:FSMITH 2008/10/03	QUALITY SYMBOLS	GENERAL TOLERANCES (UNLESS SPECIFIED)	DIMENSION STYLE		SCALE	DESIGN UNITS	THIRD ANGLE PROJECTION
	▽=0 ▽=0		mm INCH 4 PLACES ± --- ± --- 3 PLACES ± --- ± .010 2 PLACES ± 0.25 ± --- 1 PLACE ± --- ± --- ANGULAR ± 1/2°	IN/MM		4:1	
	DESCRIPTION	DRAFT WHERE APPLICABLE MUST REMAIN WITHIN DIMENSIONS	DRAWN BY	DATE	TITLE		
	REV		JTR	1993/06/23	LOW PROFILE RIGHT ANGLE MODULAR JACK ASSEMBLY		
				CHECKED BY	DATE	MOLEX INCORPORATED	
				JTR	1993/06/23		
				APPROVED BY	DATE		
				RAS	1993/06/23		
				MATERIAL NO.	DOCUMENT NO.		
				SEE SHEET 4	SDA-43249	SHEET NO. 1 OF 6	
				THIS DRAWING CONTAINS INFORMATION THAT IS PROPRIETARY TO MOLEX INCORPORATED AND SHOULD NOT BE USED WITHOUT WRITTEN PERMISSION			

UNSHIELDED MODULAR JACK

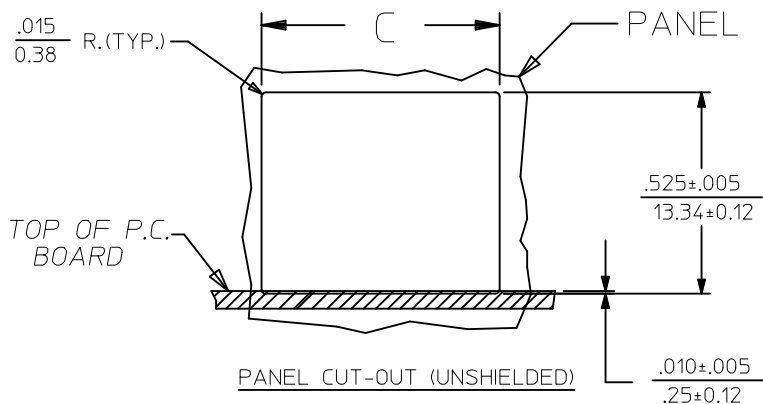
8 POSITION LOADED 10 SIZE SHOWN



OPTIONAL FLANGE USED FOR FLUSH MODULAR JACK



PEG DETAIL SCALE 8:1

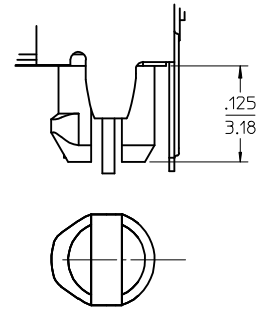
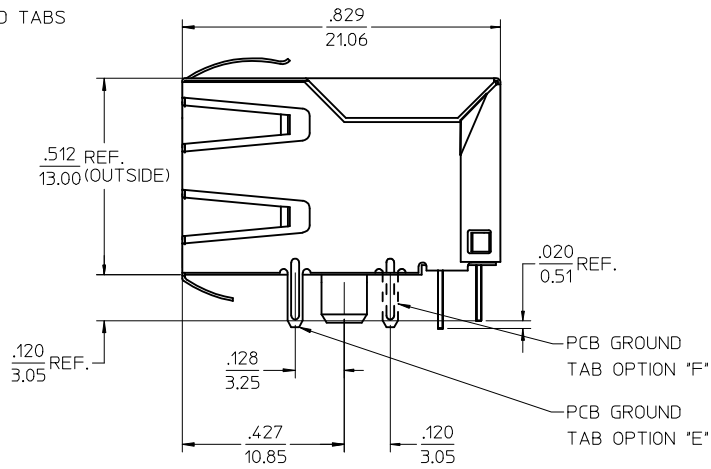
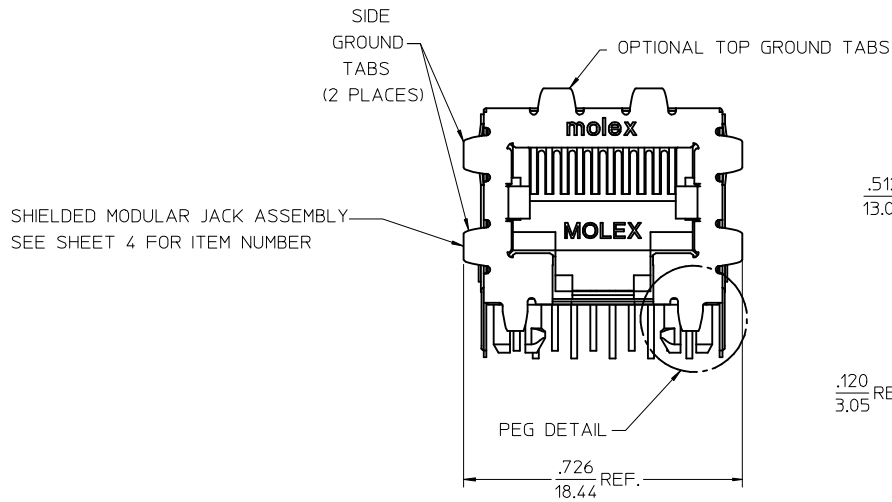


HOUSING SIZE	CIRCUIT SIZE	DIM. A	DIM. B	DIM. C
8	10	.600±.005 (15.24±0.13)	.450±.005 (11.43±0.13)	.620±.005 (15.75±0.13)
8	8	.600±.005 (15.24±0.13)	.350±.005 (8.89±0.13)	.620±.005 (15.75±0.13)
8	4	.600±.005 (15.24±0.13)	.150±.005 (3.81±0.13)	.620±.005 (15.75±0.13)
8	6	.600±.005 (15.24±0.13)	.250±.005 (6.35±0.13)	.620±.005 (15.75±0.13)
6	6	.520±.005 (13.21±0.13)	.250±.005 (6.35±0.13)	.540±.005 (13.72±0.13)
6	4	.520±.005 (13.21±0.13)	.150±.005 (3.81±0.13)	.540±.005 (13.72±0.13)
6	2	.520±.005 (13.21±0.13)	.050±.005 (1.27±0.13)	.540±.005 (13.72±0.13)

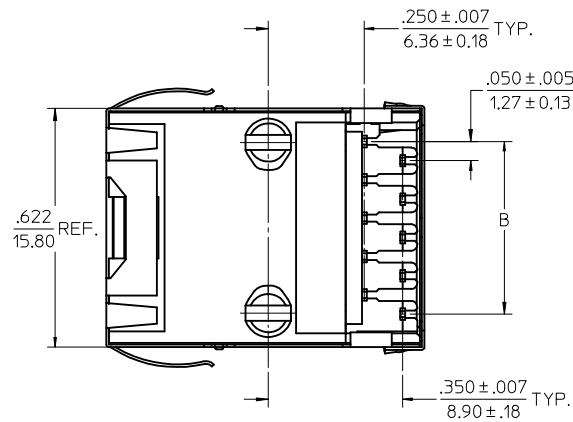
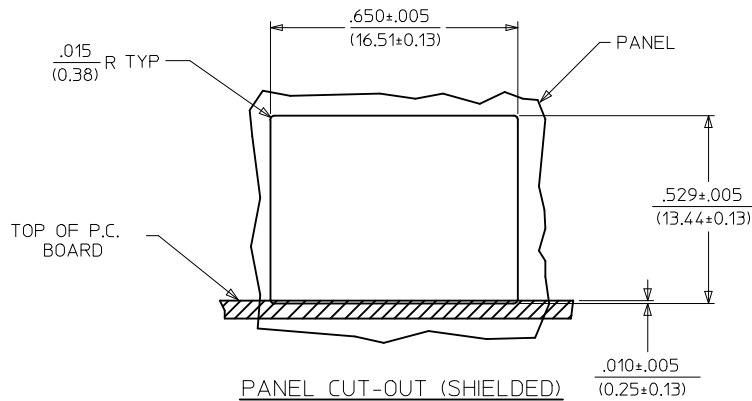
SEE SHEET 1 EC NO: UCP2009-0740 DRWN: KLOSTEMEIER 2008/09/29 CHKD: JEBEL 2008/10/03 APPR: FSMITH 2008/10/03	QUALITY SYMBOLS ▽=0 ▽=0	GENERAL TOLERANCES (UNLESS SPECIFIED)	DIMENSION STYLE IN/MM	SCALE 4:1	DESIGN UNITS INCH	THIRD ANGLE PROJECTION
		4 PLACES ± --- ± --- 3 PLACES ± --- ± .010 2 PLACES ± 0.25 ± --- 1 PLACE ± --- ± --- ANGULAR ± 1/2°	DRAWN BY DATE JTR 1993/06/23 CHECKED BY DATE JTR 1993/06/23 APPROVED BY DATE RAS 1993/06/23	TITLE LOW PROFILE RIGHT ANGLE MODULAR JACK ASSEMBLY	MATERIAL NO. SEE SHEET 4	DOCUMENT NO. SDA-43249
DRAFT WHERE APPLICABLE MUST REMAIN WITHIN DIMENSIONS		THIS DRAWING CONTAINS INFORMATION THAT IS PROPRIETARY TO MOLEX INCORPORATED AND SHOULD NOT BE USED WITHOUT WRITTEN PERMISSION				

MODULAR JACK W/ .007" THICK SHIELD AND OPTIONAL GROUND TABS

8 LOADED 10 VERSION SHOWN WITH GROUND TAB OPTIONS "D" AND "E"



PEG DETAIL
SCALE 8:1



DESCRIPTION OF GROUND TAB OPTIONS:
(SEE SHEET 4 FOR AVAILABLE COMBINATIONS OF OPTIONS)

GROUND TAB OPTION	DESCRIPTION
A	NO GROUND TABS
B	TOP TABS ONLY
C	STAGGERED SIDE TABS
D	TOP AND SIDE TABS
E	PCB GROUND TAB IN FRONT POSITION
F	PCB GROUND TAB IN REAR POSITION

HOUSING SIZE	CIRCUIT SIZE	B
8	10	.450±.005 11.43±0.13
8	8	.350±.005 8.89±0.13

SEE SHEET 1 EC NO: UCP2009-0740 DRWN:KLOSTEMEIER 2008/09/29 CHKD:JELL 2008/10/03 APPR:FSMITH 2008/10/03	QUALITY SYMBOLS ▽=0 ▽=0	GENERAL TOLERANCES (UNLESS SPECIFIED) <table border="1"> <thead> <tr> <th></th> <th>mm</th> <th>INCH</th> </tr> </thead> <tbody> <tr> <td>4 PLACES ±</td> <td>---</td> <td>---</td> </tr> <tr> <td>3 PLACES ±</td> <td>---</td> <td>±.010</td> </tr> <tr> <td>2 PLACES ±</td> <td>0.25</td> <td>---</td> </tr> <tr> <td>1 PLACE ±</td> <td>---</td> <td>---</td> </tr> </tbody> </table> ANGULAR ±1/2°		mm	INCH	4 PLACES ±	---	---	3 PLACES ±	---	±.010	2 PLACES ±	0.25	---	1 PLACE ±	---	---	DIMENSION STYLE IN/MM	SCALE 4:1	DESIGN UNITS INCH	THIRD ANGLE PROJECTION
		mm	INCH																		
	4 PLACES ±	---	---																		
	3 PLACES ±	---	±.010																		
2 PLACES ±	0.25	---																			
1 PLACE ±	---	---																			
DRAWN BY JTR	DATE 1993/06/23	TITLE LOW PROFILE RIGHT ANGLE MODULAR JACK ASSEMBLY																			
CHECKED BY JTR	DATE 1993/06/23	APPROVED BY RAS																			
DATE 1993/06/23	MATERIAL NO. SEE SHEET 4	DOCUMENT NO. SDA-43249	SHEET NO. 3 OF 6																		

DRAFT WHERE APPLICABLE MUST REMAIN WITHIN DIMENSIONS

THIS DRAWING CONTAINS INFORMATION THAT IS PROPRIETARY TO MOLEX INCORPORATED AND SHOULD NOT BE USED WITHOUT WRITTEN PERMISSION

FLUSH MOUNT (UNSHIELDED)

ASSEMBLY ITEM NUMBER	CONNECTOR SIZE	NUMBER OF CIRCUITS	TERMINAL PLATING OPTION
43249-8001	8	10	A
43249-8004	8	8	A
43249-8010	8	6	A
43249-6001	6	6	A
43249-6004	6	4	A
43249-6007	6	2	A

FLANGELESS (UNSHIELDED)

ASSEMBLY ITEM NUMBER	CONNECTOR SIZE	NUMBER OF CIRCUITS	TERMINAL PLATING OPTION
43249-8101	8	10	A
43249-8102	8	10	B
43249-8104	8	8	A
43249-8105	8	8	B
43249-8116	8	6	A
43249-8119	8	4	A
43249-6101	6	6	A
43249-6104	6	4	A
43249-6107	6	2	A

FLANGELESS (UNSHIELDED)

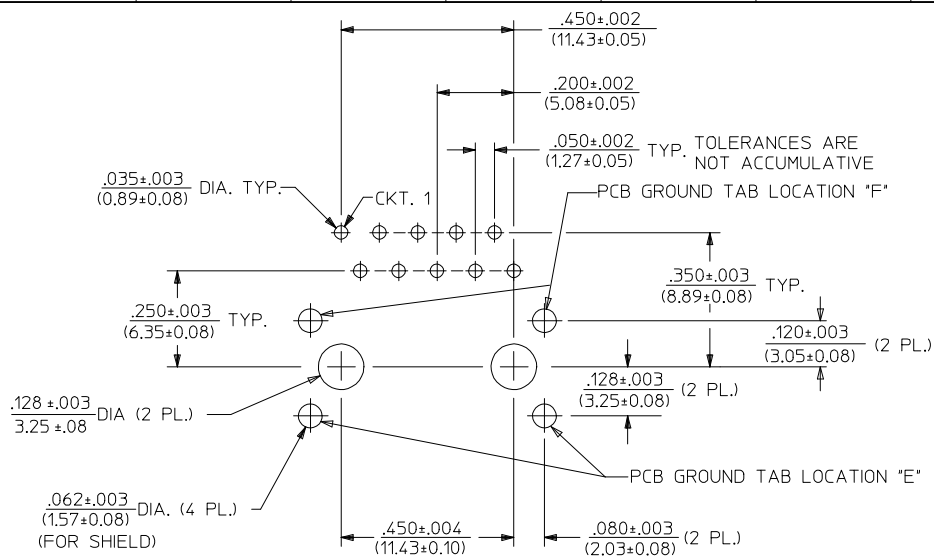
(SHIPPED IN TUBES)

43249-6501	6	6	A
43249-6504	6	4	A

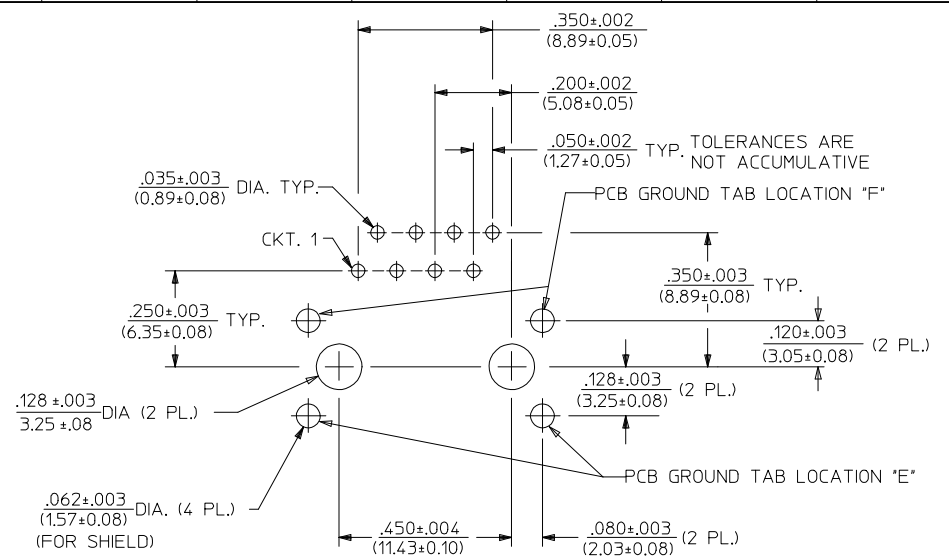
SHIELDED, .007" THICK

ASSEMBLY ITEM NUMBER	CONN. SIZE	NUMBER OF CIRCUITS	TERMINAL PLATING OPTION	SIDE/TOP PANEL GROUND TAB OPTION	PCB GROUND TAB OPTION	PACKAGING OPTION
43249-8900	8	10	A	A	E	TRAY
43249-8901	8	10	A	B	E	TRAY
43249-8902	8	10	A	C	E	TRAY
43249-8903	8	10	A	D	E	TRAY
43249-8908	8	10	A	A	F	TRAY
43249-8909	8	10	A	B	F	TRAY
43249-8910	8	10	A	C	F	TRAY
43249-8911	8	10	A	D	F	TRAY
43249-8916	8	8	A	A	E	TRAY
43249-8917	8	8	A	B	E	TRAY
43249-8918	8	8	A	C	E	TRAY
43249-8919	8	8	A	D	E	TRAY
43249-8920	8	8	B	A	E	TRAY
43249-8924	8	8	A	A	F	TRAY
43249-8925	8	8	A	B	F	TRAY
43249-8926	8	8	A	C	F	TRAY
43249-8927	8	8	A	D	F	TRAY

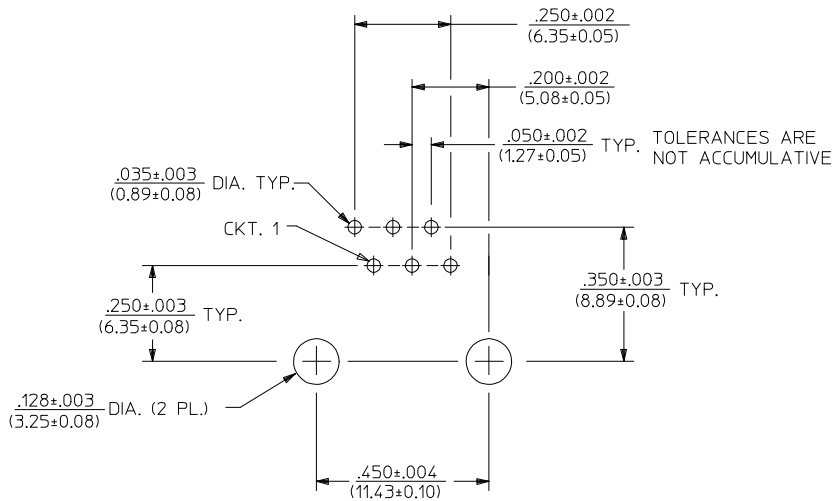
SEE SHEET 1 EC NO: UCP2009-0740 DRWN: KLOSTEMEIER 2008/09/29 CHKD: BELLS 2008/10/03 APPR: FSMITH 2008/10/03	QUALITY SYMBOLS ▽=0 ▽=0	GENERAL TOLERANCES (UNLESS SPECIFIED) <table border="1"> <thead> <tr> <th></th> <th>mm</th> <th>INCH</th> </tr> </thead> <tbody> <tr><td>4 PLACES</td><td>± .005</td><td>± .0005</td></tr> <tr><td>3 PLACES</td><td>± .005</td><td>± .010</td></tr> <tr><td>2 PLACES</td><td>± 0.25</td><td>± .005</td></tr> <tr><td>1 PLACE</td><td>± .005</td><td>± .005</td></tr> </tbody> </table>		mm	INCH	4 PLACES	± .005	± .0005	3 PLACES	± .005	± .010	2 PLACES	± 0.25	± .005	1 PLACE	± .005	± .005	DIMENSION STYLE IN/MM	SCALE 4:1	DESIGN UNITS INCH	THIRD ANGLE PROJECTION
		mm	INCH																		
	4 PLACES	± .005	± .0005																		
	3 PLACES	± .005	± .010																		
2 PLACES	± 0.25	± .005																			
1 PLACE	± .005	± .005																			
DRAWN BY JTR	DATE 1993/06/23	TITLE LOW PROFILE RIGHT ANGLE MODULAR JACK ASSEMBLY																			
CHECKED BY JTR	DATE 1993/06/23	APPROVED BY RAS																			
MATERIAL NO. SEE CHART	DATE 1993/06/23	MOLEX INCORPORATED		DOCUMENT NO. SDA-43249	SHEET NO. 4 OF 6																
DRAFT WHERE APPLICABLE MUST REMAIN WITHIN DIMENSIONS						THIS DRAWING CONTAINS INFORMATION THAT IS PROPRIETARY TO MOLEX INCORPORATED AND SHOULD NOT BE USED WITHOUT WRITTEN PERMISSION															



PC BOARD LAYOUT FOR SIZE 8, 10 CIRCUIT
(COMPONENT SIDE OF BOARD)



PC BOARD LAYOUT FOR SIZE 8, 8 CIRCUIT
(COMPONENT SIDE OF BOARD)

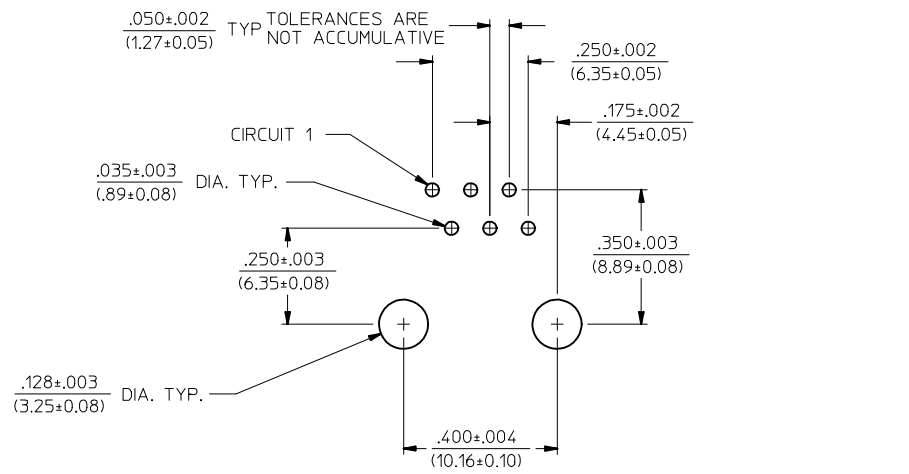


PC BOARD LAYOUT FOR SIZE 8, 6 CIRCUIT
(COMPONENT SIDE OF BOARD)

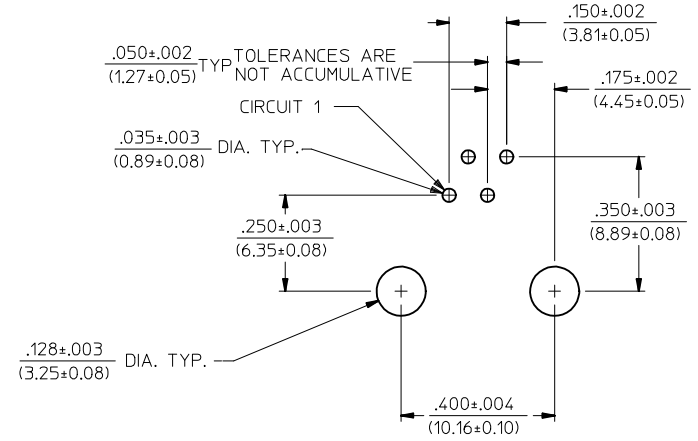
NOTES:
1. RECOMMENDED PCB THICKNESS: .062 ± .005 (1.57 ± 0.13)

SEE SHEET 1 EC NO: UCP2009-0740 DRAWN: KLOSTEMEIER 2008/09/29 CHKD: J.BELL 2008/10/03 APPR: F.SMITH 2008/10/03	QUALITY SYMBOLS	GENERAL TOLERANCES (UNLESS SPECIFIED)	DIMENSION STYLE		SCALE	DESIGN UNITS	THIRD ANGLE PROJECTION
	▽=0 ▽=0		mm	INCH	4:1	INCH	
REV	DESCRIPTION	DRAWN BY	DATE		TITLE LOW PROFILE RIGHT ANGLE MODULAR JACK ASSEMBLY		
			JTR	1993/06/23			
K1	REV	CHECKED BY	DATE		MOLEX INCORPORATED		
			JTR	1993/06/23			
K1	REV	APPROVED BY	DATE		DOCUMENT NO. SDA-43249		
			RAS	1993/06/23			
DRAFT WHERE APPLICABLE MUST REMAIN WITHIN DIMENSIONS		MATERIAL NO.		SHEET NO.		5 OF 6	
		SEE SHEET 4		THIS DRAWING CONTAINS INFORMATION THAT IS PROPRIETARY TO MOLEX INCORPORATED AND SHOULD NOT BE USED WITHOUT WRITTEN PERMISSION			

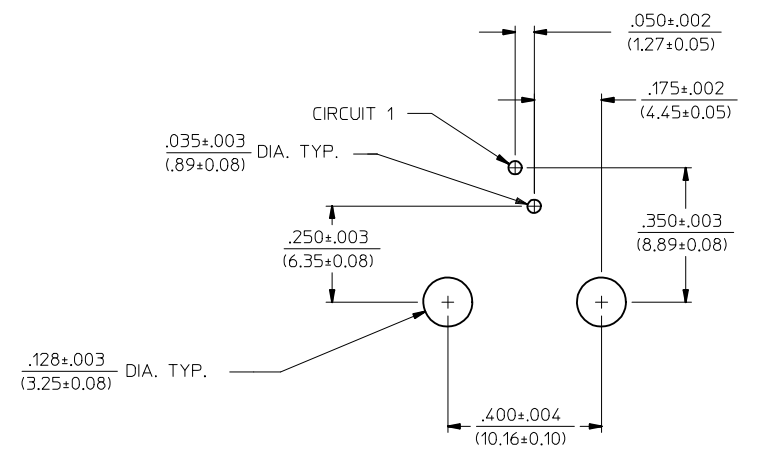
13 12 11 10 9 8 7 6 5 4 3 2 1



PC BOARD LAYOUT FOR SIZE 6, 6 CIRCUIT
(COMPONENT SIDE OF BOARD)



PC BOARD LAYOUT FOR SIZE 6, 4 CIRCUIT
(COMPONENT SIDE OF BOARD)



PC BOARD LAYOUT FOR SIZE 6, 2 CIRCUIT
(COMPONENT SIDE OF BOARD)

NOTES:
1. RECOMMENDED PCB THICKNESS: .062±.005/(1.57±0.13)

SEE SHEET 1 IEC NO: UCP2009-0740 DRWN: KLOSTEMEIER 2008/09/29 CHKD: JELL 2008/10/03 APPR: FSMITH 2008/10/03	DESCRIPTION K1	QUALITY SYMBOLS	GENERAL TOLERANCES (UNLESS SPECIFIED) <table border="1"> <tr> <th></th> <th>mm</th> <th>INCH</th> </tr> <tr> <td>4 PLACES</td> <td>± .010</td> <td>± .0004</td> </tr> <tr> <td>3 PLACES</td> <td>± .010</td> <td>± .0004</td> </tr> <tr> <td>2 PLACES</td> <td>± 0.25</td> <td>± .010</td> </tr> <tr> <td>1 PLACE</td> <td>± .010</td> <td>± .0004</td> </tr> </table> ANGULAR ±1/2°		mm	INCH	4 PLACES	± .010	± .0004	3 PLACES	± .010	± .0004	2 PLACES	± 0.25	± .010	1 PLACE	± .010	± .0004	DIMENSION STYLE IN/MM	SCALE 4:1	DESIGN UNITS INCH	THIRD ANGLE PROJECTION
				mm	INCH																	
		4 PLACES		± .010	± .0004																	
		3 PLACES		± .010	± .0004																	
2 PLACES	± 0.25	± .010																				
1 PLACE	± .010	± .0004																				
DRAWN BY JTR	DATE 1993/06/23	TITLE LOW PROFILE RIGHT ANGLE MODULAR JACK ASSEMBLY																				
CHECKED BY JTR	DATE 1993/06/23	MOLEX INCORPORATED																				
APPROVED BY RAS	DATE 1993/06/23	MATERIAL NO. SEE SHEET 4	DOCUMENT NO. SDA-43249	SHEET NO. 6 OF 6																		