

PLEASE CHECK WWW.MOLEX.COM FOR LATEST PART INFORMATION

Part Number: [0399100305](#)
Status: **Active**
Description: 10.16mm (.400") Beau™ Eurostyle™, Fixed Mount PCB Terminal Block, High Voltage, High Power 40A, 5 Circuits

Documents:

[3D Model](#) [RoHS Certificate of Compliance \(PDF\)](#)
[Drawing \(PDF\)](#)

Agency Certification

UL E48521

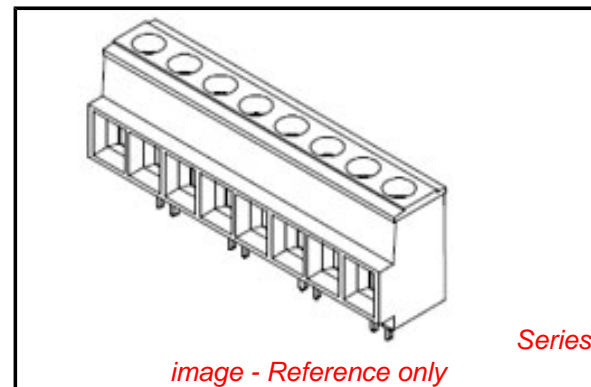
General

| | |
|-----------------------------|------------------------|
| Product Family | Terminal Blocks |
| Series | 39910 |
| Application | Wire-to-Board |
| Component Type | One Piece |
| Product Literature Order No | USA-199 |
| Product Name | Eurostyle™ Fixed Mount |
| Type | Euro Block |

Physical

| | |
|--------------------------------|-----------------------|
| Circuits (Loaded) | 5 |
| Circuits (maximum) | 5 |
| Color - Resin | Black |
| Entry Angle | Horizontal |
| Flammability | 94V-0 |
| Lock to Mating Part | None |
| Material - Metal | Copper |
| Material - Plating Mating | Tin |
| Material - Plating Termination | Tin |
| Material - Resin | Polyester |
| Number of Rows | 1 |
| Orientation | Vertical |
| PC Tail Length (in) | 0.160 In |
| PC Tail Length (mm) | 4.10 mm |
| PCB Retention | None |
| Panel Mount | No |
| Pitch - Mating Interface (in) | 0.400 In |
| Pitch - Mating Interface (mm) | 10.16 mm |
| Pitch - Term. Interface (in) | 0.400 In |
| Pitch - Term. Interface (mm) | 10.16 mm |
| Plating min: Mating (µin) | 150 |
| Plating min: Mating (µm) | 3.75 |
| Plating min: Termination (µin) | 150 |
| Plating min: Termination (µm) | 3.75 |
| Polarized to Mating Part | Yes |
| Shrouded | Fully |
| Stackable | No |
| Surface Mount Compatible (SMC) | No |
| Temperature Range - Operating | 130°C |
| Termination Interface: Style | Through Hole |
| Wire Size AWG | 10, 12, 14, 16, 18, 8 |
| Wire Size mm² | 0.75 - 6.0 |

Electrical



EU RoHS

**ELV and RoHS
Compliant**
REACH SVHC
 Not Reviewed
**Halogen-Free
Status**
 Not Reviewed

China RoHS



Need more information on product environmental compliance?

Email productcompliance@molex.com
 For a multiple part number RoHS Certificate of Compliance, [click here](#)

Please visit the [Contact Us](#) section for any non-product compliance questions.

Search Parts in this Series

[39910Series](#)

Mates With

N/A

Current - Maximum per Contact
Voltage - Maximum

40A
600V

Solder Process Data

Lead-free Process Capability

Wave Capable (TH only)

Material Info

Old Part Number

913505

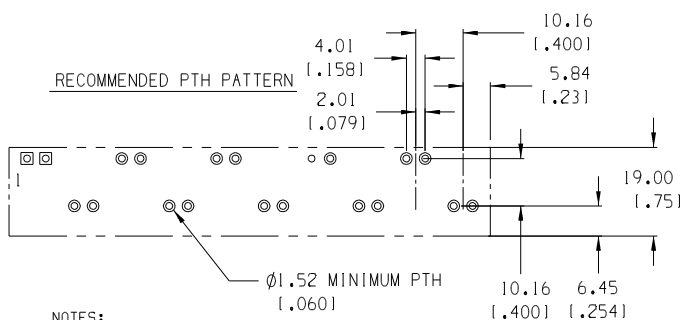
Reference - Drawing Numbers

Sales Drawing

SD-39910-002

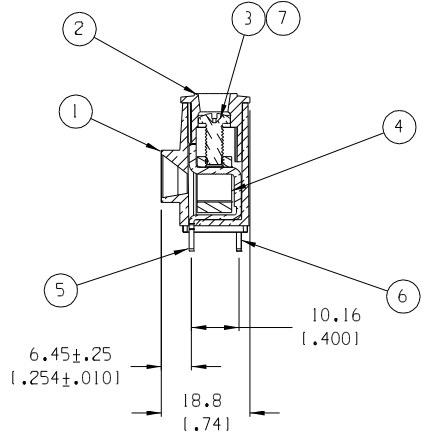
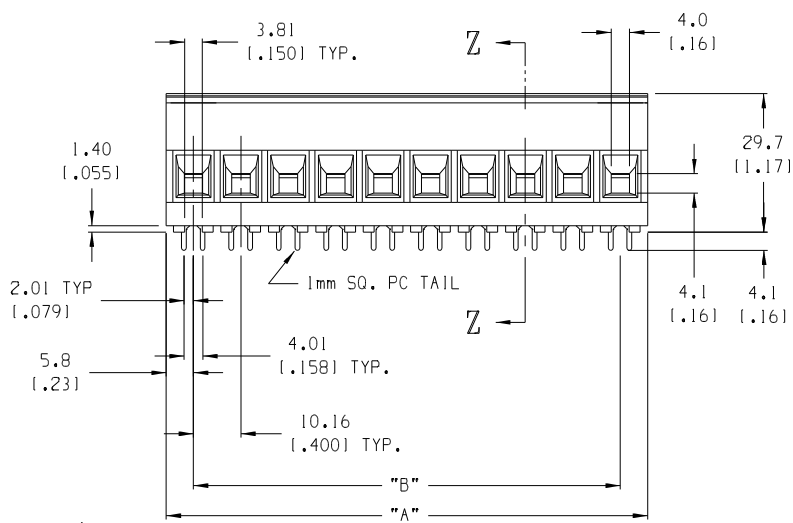
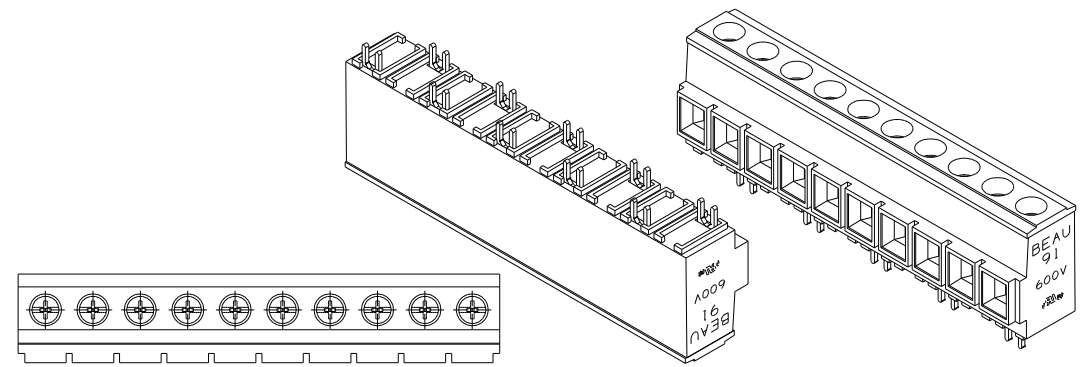
This document was generated on 04/27/2010

PLEASE CHECK WWW.MOLEX.COM FOR LATEST PART INFORMATION



NOTES:

1. MATERIAL: SEE TABLE
2. FINISHES: SEE TABLE
3. PRODUCT SPECIFICATION: NOT REQUIRED
4. PACKAGING: NOT REQUIRED
5. MATES WITH: NONE
6. PART IS DESIGNED TO MEET UL 1059 CLASS C 600V, 40A
7. STAGGERED PC TAIL POSITION ON ALTERNATE CIRCUITS
8. "XX" REFERS TO NUMBER OF CIRCUITS
9. FOR OPTIONAL IMPRINTING, REFER TO SD-38120-005



SECTION Z-Z

| ITEM | QTY. | DESCRIPTION | MATERIAL | FINISH |
|------|------|------------------------------------|---------------|--------|
| 7 | XX | SCREW, M4, #2 POZI-SLOT, ST. STEEL | ST. STEEL | TIN |
| 6 | A/R | REAR TERMINAL | COPPER | TIN |
| 5 | A/R | FRONT TERMINAL | COPPER | TIN |
| 4 | XX | CAGE | BRASS | NICKEL |
| 3 | XX | SCREW, M4, #2 POZI-SLOT, BRONZE | BRONZE | TIN |
| 2 | 1 | COVER | THERMOPLASTIC | BLACK |
| 1 | 1 | BODY | THERMOPLASTIC | BLACK |

ECN# 4261
 DRAWN: RK 10-7-05
 CHK: APPR1
 D

DESCRIPTION
 MAJOR
 CRITICAL
 REV

| | GENERAL TOLERANCES: (UNLESS SPECIFIED) | |
|--------------|--|--------|
| | mm | INCH |
| 4 PLACES | ±.0015 | ±.0015 |
| 3 PLACES | ±.038 | ±.005 |
| 2 PLACES | ±.13 | ±.01 |
| 1 PLACE | ±.3 | |
| ANGULAR: ±2° | | |

SCALE: 1:1
 DESIGN UNITS: mm INCH
 DRAWN BY & DATE: R.STONE 9-13-00
 CHECKED BY & DATE: R.KEMP 9-13-02
 APPROVED BY & DATE: L.ROTHAUS 9-27-02
 CAD FILENAME: 9135XX

PROJECT NO.: -
 DIMENSIONS: mm INCH mm ONLY
 THIRD ANGLE PROJECTION
 TITLE: SR BTS 8 AWG ASSY, 600V 40 A
MOLEX INCORPORATED
 MATERIAL NO.: SEE CHART
 DRAWING NO.: SD-39910-002
 SHEET NO.: 1 OF 2
 THIS DRAWING CONTAINS INFORMATION THAT IS PROPRIETARY TO MOLEX INCORPORATED AND SHOULD NOT BE USED WITHOUT WRITTEN PERMISSION.
 SIZE: B

| MATERIAL | MATERIAL NUMBER | MATERIAL NUMBER | MATERIAL NUMBER | MATERIAL NUMBER | MATERIAL NUMBER | MATERIAL NUMBER | NUMBER | "A" DIM. | "B" DIM. |
|-----------|----------------------|----------------------|-------------------------|------------------------|--------------------------------------|--------------------------------------|-------------|---------------|----------------|
| STD | OPTIONAL 10A IMPRINT | OPTIONAL 11A IMPRINT | OPTIONAL (-56) SS SCREW | OPTIONAL SLOTTED SCREW | OPTIONAL SLOTTED SCREW W/10A IMPRINT | OPTIONAL SLOTTED SCREW W/11A IMPRINT | OF CIRCUITS | | |
| 399100302 | 399110302 | 399140302 | 399100602 | 399100502 | 399110502 | 399140502 | 2 | 21.84 [1.86] | 110.16 [1.400] |
| 399100303 | 399110303 | 399140303 | 399100603 | 399100503 | 399110503 | 399140503 | 3 | 32.00 [1.26] | 120.32 [1.800] |
| 399100304 | 399110304 | 399140304 | 399100604 | 399100504 | 399110504 | 399140504 | 4 | 42.16 [1.66] | 130.48 [1.200] |
| 399100305 | 399110305 | 399140305 | 399100605 | 399100505 | 399110505 | 399140505 | 5 | 52.32 [2.06] | 140.64 [1.600] |
| 399100306 | 399110306 | 399140306 | 399100606 | 399100506 | 399110506 | 399140506 | 6 | 62.48 [2.46] | 150.80 [2.000] |
| 399100307 | 399110307 | 399140307 | 399100607 | 399100507 | 399110507 | 399140507 | 7 | 72.64 [2.86] | 160.96 [2.400] |
| 399100308 | 399110308 | 399140308 | 399100608 | 399100508 | 399110508 | 399140508 | 8 | 82.80 [3.26] | 171.12 [2.800] |
| 399100309 | 399110309 | 399140309 | 399100609 | 399100509 | 399110509 | 399140509 | 9 | 92.96 [3.66] | 181.28 [3.200] |
| 399100310 | 399110310 | 399140310 | 399100610 | 399100510 | 399110510 | 399140510 | 10 | 103.12 [4.06] | 191.44 [3.600] |
| 399100311 | 399110311 | 399140311 | 399100611 | 399100511 | 399110511 | 399140511 | 11 | 113.28 [4.46] | 101.60 [4.000] |
| 399100312 | 399110312 | 399140312 | 399100612 | 399100512 | 399110512 | 399140512 | 12 | 123.44 [4.86] | 111.76 [4.400] |
| 399100313 | 399110313 | 399140313 | 399100613 | 399100513 | 399110513 | 399140513 | 13 | 133.60 [5.26] | 121.92 [4.800] |
| 399100314 | 399110314 | 399140314 | 399100614 | 399100514 | 399110514 | 399140514 | 14 | 143.76 [5.66] | 132.08 [5.200] |

| | | | | | | | | | | | |
|--|--|-----------------------|--|--|---------------------------|--|----------------------------|--|--------------------|----------|----------|
| EC NO. SEE SHEET DRAWN: ONE CH: K1 APPR: REV | QUALITY SYMBOLS MAJOR CRITICAL SPC S | DESCRIPTION C S | GENERAL TOLERANCES: (UNLESS SPECIFIED) mm INCH | | SCALE N/A | DESIGN UNITS <input type="checkbox"/> mm <input checked="" type="checkbox"/> INCH | THIRD ANGLE PROJECTION | DIMENSIONS: <input checked="" type="checkbox"/> mm <input type="checkbox"/> INCH <input type="checkbox"/> mm ONLY | PROJECT NO. - - | SHT - | REV - |
| | | | DRAWN BY & DATE J. FARMER 08-10-04 | TITLE: SR BTS 8 AWG ASSY, 600V 40 A | | | | | | | |
| | | | CHECKED BY & DATE R. STONE 08-10-04 | MOLEX INCORPORATED | | | | | | | |
| | | | APPROVED BY & DATE GHR 08-10-04 | CAD FILENAME 9135XX.PRT | MATERIAL NO. SEE CHART | DRAWING NO. SD-39910-002 | SHEET NO. 2 OF 2 | | | | |

THIS DRAWING CONTAINS INFORMATION THAT IS PROPRIETARY TO MOLEX INCORPORATED AND SHOULD NOT BE USED WITHOUT WRITTEN PERMISSION.

SIZE B