

PLEASE CHECK WWW.MOLEX.COM FOR LATEST PART INFORMATION

Part Number: **0194280013**
Status: **Active**
Description: 5.84mm (.230") Pitch MX150L™ Vertical PCB Header, Dual Row, Low Profile, 8 Circuits

Documents:

[3D Model](#) [Product Specification PS-19427-001 \(PDF\)](#)
[Drawing \(PDF\)](#) [RoHS Certificate of Compliance \(PDF\)](#)

Agency Certification

UL E152602

General

Product Family PCB Headers
 Series [19428](#)
 Application Wire-to-Board
 Product Literature Order No 987650-2181
 Product Name MX150L™

Physical

Breakaway No
 Circuits (Loaded) 8
 Circuits (maximum) 8
 Durability (mating cycles max) 25
 Flammability 94V-0
 Glow-Wire Compliant No
 Lock to Mating Part Yes
 Material - Plating Mating Tin
 Material - Plating Termination Tin
 Number of Rows 2
 Orientation Vertical
 PC Tail Length (in) 0.130 In
 PC Tail Length (mm) 3.30 mm
 PCB Locator Yes
 PCB Retention Yes
 PCB Thickness Recommended (in) 0.062 In
 PCB Thickness Recommended (mm) 1.60 mm
 Packaging Type Tray
 Pitch - Mating Interface (in) 0.230 In
 Pitch - Mating Interface (mm) 5.84 mm
 Polarized to Mating Part Yes
 Polarized to PCB Yes
 Shrouded Fully
 Stackable No
 Surface Mount Compatible (SMC) No
 Temperature Range - Operating -40°C to +125°C
 Termination Interface: Style Through Hole

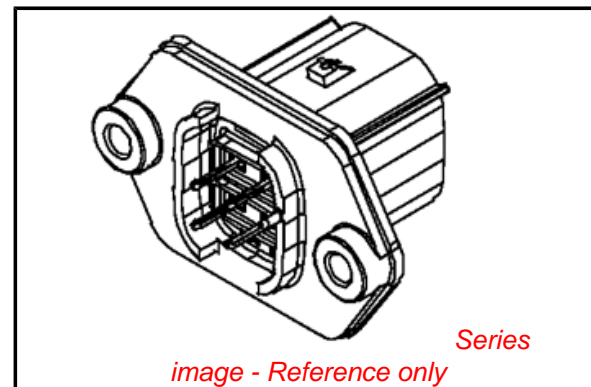
Electrical

Current - Maximum per Contact 18A
 Voltage - Maximum 600V

Material Info

Reference - Drawing Numbers

Product Specification PS-19427-001
 Sales Drawing SD-19428-005



EU RoHS

ELV and RoHS Compliant
REACH SVHC
 Not Reviewed
Halogen-Free Status
 Not Reviewed

China RoHS



Need more information on product environmental compliance?

Email productcompliance@molex.com
 For a multiple part number RoHS Certificate of Compliance, [click here](#)

Please visit the [Contact Us](#) section for any non-product compliance questions.

Search Parts in this Series

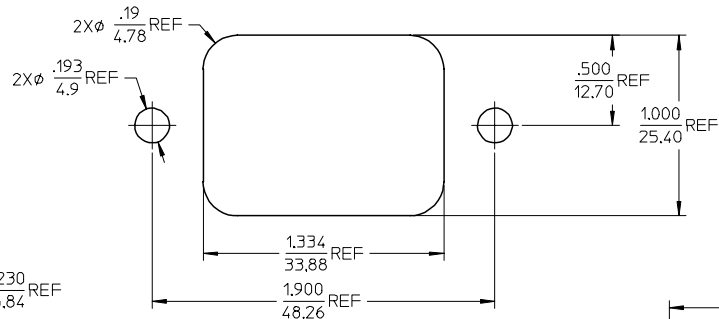
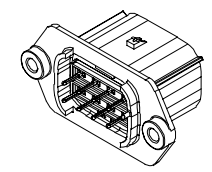
[19428Series](#)

Mates With

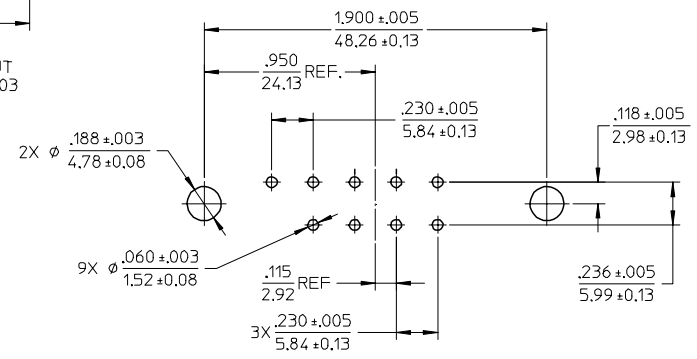
[19418 Receptacle Assemblies](#)

This document was generated on 04/05/2010

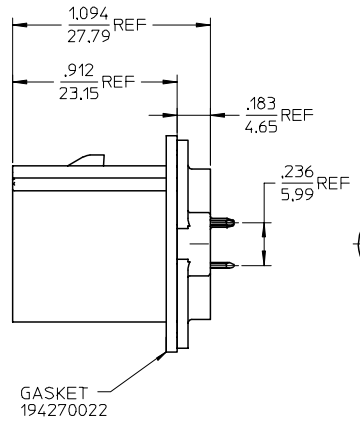
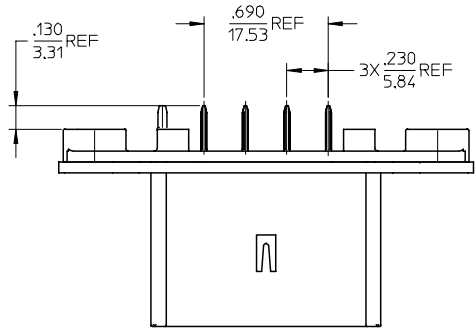
PLEASE CHECK WWW.MOLEX.COM FOR LATEST PART INFORMATION



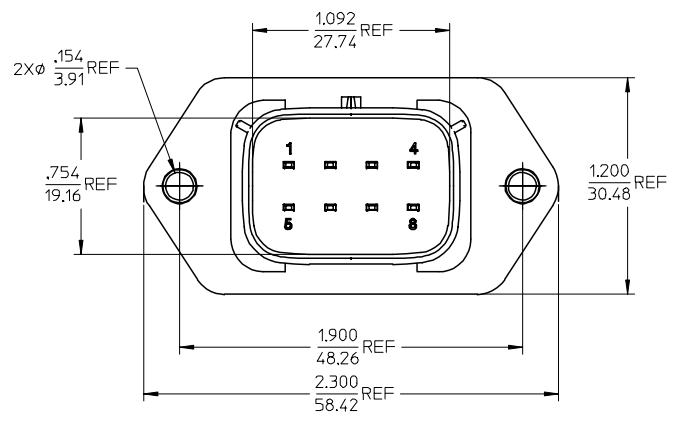
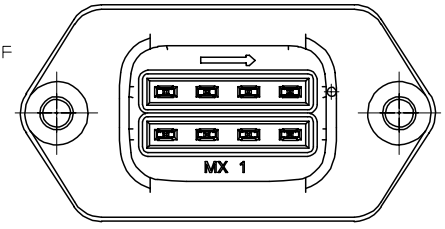
RECOMMENDED PANEL CUTOUT
MAX PANEL THICKNESS .080/2.03



RECOMMENDED PCB LAYOUT
COMPONENT VIEW
TOLERANCES ARE NON-ACCUMULATIVE



GASKET
194270022



MATERIAL NUMBER	TERMINAL PLATING
194280013	TIN
194280029	SELECT GOLD/TIN

NOTES:

- MATERIALS:
HOUSING: POLYESTER (PBT), GLASS FILLED, UL94 V-0,
COLOR: BLACK
TERMINALS: COPPER ALLOY
- FINISHES: 1. TIN ONLY: 100µN TIN OVER 50µN NICKEL
2. TIN/GOLD: 30µN SELECT GOLD (CONTACT MATING AREA),
100µN SELECT TIN (PCB TAIL AREA) OVER 50µN NICKEL OVERALL.
- PRODUCT SPECIFICATION: PS-19428-001.
- PACKAGING SPECIFICATION: PK-19428-002.
- MATES WITH: 19418 SERIES RECEPTACLE ASSEMBLIES.

PRODUCTION RELEASE EC NO: ETC2005-0213 DRAWN: JPAMLCK 2005/06/10 CHKD: JPAMLCK 2005/06/14 APPR: RDEROSS 2005/06/14	QUALITY SYMBOLS	DESCRIPTION
	▽=0	
	▽=0	
	REV	
	A	

GENERAL TOLERANCES (UNLESS SPECIFIED)	
mm	INCH
4 PLACES ± .015	± .0005
3 PLACES ± .015	± .0005
2 PLACES ± 0.38	± .015
1 PLACE ± .015	± .0005
ANGULAR ± 1°	
DRAFT WHERE APPLICABLE MUST REMAIN WITHIN DIMENSIONS	

DIMENSION STYLE		SCALE	
IN/MM		2:1	
DRAWN BY	DATE	CHECKED BY	DATE
BRUPERT	04/06/16	JPAWLICK	04/06/16
APPROVED BY	DATE	MATERIAL NO.	
RDEROSS	04/06/16	SD-19428-005	

TITLE		SHEET NO.	
8-WAY STRAIGHT HEADER ASSEMBLY, SHORT VERSION		1 OF 1	
MATERIAL NO.		DOCUMENT NO.	
SEE CHART		SD-19428-005	
THIS DRAWING CONTAINS INFORMATION THAT IS PROPRIETARY TO MOLEX INCORPORATED AND SHOULD NOT BE USED WITHOUT WRITTEN PERMISSION			