

PLEASE CHECK WWW.MOLEX.COM FOR LATEST PART INFORMATION

Part Number: [0039036010](#)
Status: **Active**
Overview: [standard_093](#)
Description: 2.36mm (.093") Diameter Standard .093" Pin and Socket Plug Housing With Positive Latch, UL 94V-2, Panel Mount, 1 Circuit

Documents:

[3D Model](#) [Product Specification PS-3191-005 \(PDF\)](#)
[Drawing \(PDF\)](#) [RoHS Certificate of Compliance \(PDF\)](#)
[Product Specification PS-3191-001 \(PDF\)](#)

Agency Certification

CSA	LR19980
TUV	R72081037
UL	E29179

General

Product Family	Crimp Housings
Series	3191
Comments	Polarized to Mating Part
Overview	standard_093
Product Name	Standard .093"

Physical

Breakaway	No
Circuits (maximum)	1
Color - Resin	Natural
Flammability	94V-2
Gender	Dual
Glow-Wire Compliant	No
Keying to Mating Part	None
Lock to Mating Part	Yes
Material - Resin	Nylon
Number of Rows	1
Packaging Type	Bag
Panel Mount	Yes
Pitch - Mating Interface (in)	0.264 In
Pitch - Mating Interface (mm)	6.71 mm
Polarized to Mating Part	Yes
Stackable	No
Temperature Range - Operating	-40°C to +105°C

Electrical

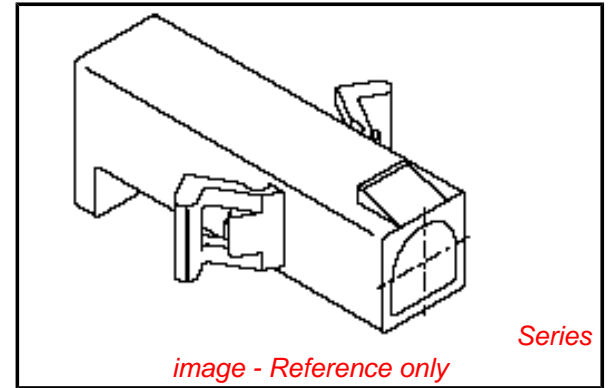
Current - Maximum per Contact	12A
-------------------------------	-----

Material Info

Old Part Number	3191-01P
-----------------	----------

Reference - Drawing Numbers

Packaging Specification	SPK-3191-001
Product Specification	PS-3191-001, PS-3191-005
Sales Drawing	SD-3191-001, SD-3191-006



EU RoHS

ELV and RoHS Compliant
REACH SVHC Contains SVHC: No
Halogen-Free
Status Not Reviewed

China RoHS



Need more information on product environmental compliance?

Email productcompliance@molex.com
 For a multiple part number RoHS Certificate of Compliance, [click here](#)

Please visit the [Contact Us](#) section for any non-product compliance questions.

Search Parts in this Series

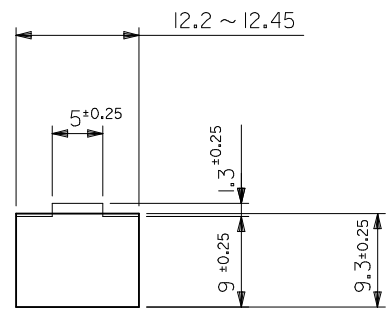
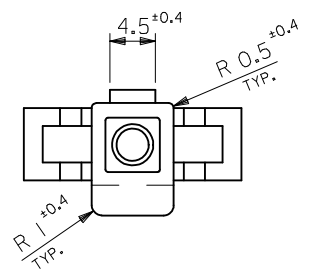
[3191Series](#)

Mates With

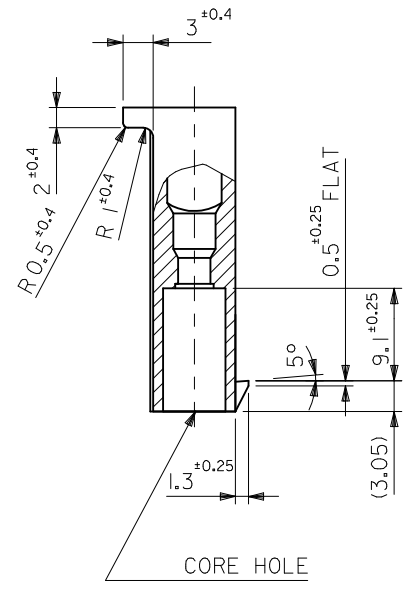
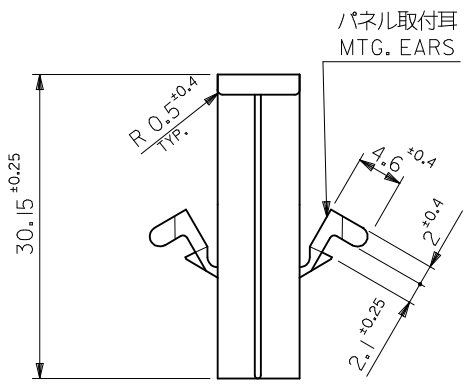
[3191](#) Pin and Socket Rectacle, [5219](#) Vertical PCB Header

Use With

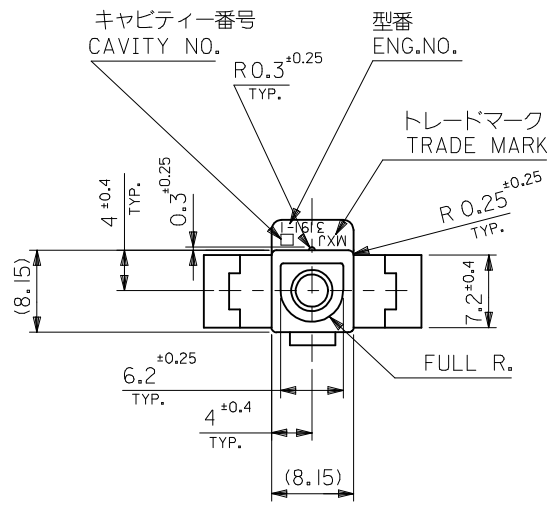
[1189](#) Crimp Terminals, [1190](#) Crimp Terminals, [1380](#) Male Crimp Terminals, [1381](#) Female Crimp Terminals, [1433](#) Crimp Terminals, [1434](#) Male Crimp Terminals, [2605](#) , [2606](#) , [1973](#) , [2151](#) , [2273](#) , [2870](#) , [2871](#) , [4272](#) , Lin



パネル取付穴推奨寸法 (厚さ2.0最大)
 ハウジングの装着はパネル穴打抜き方向より行うこと
 RECOMMENDED PANEL HOLE DIMENSION (THK. 2.0 MAX.)
 ATTACH THE HOUSING FROM THE DIRECTION OF
 PANEL HOLE PUNCHED OUT

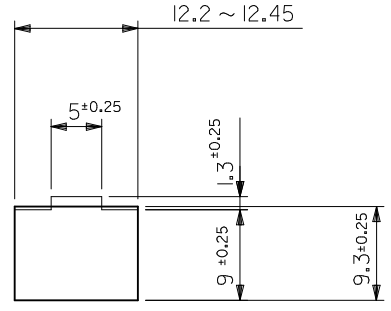
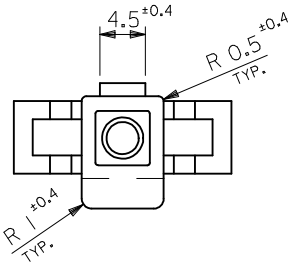


注記
 NOTE
 () 内寸法は参考値
 DIMENSIONS IN () ARE REFERENCE



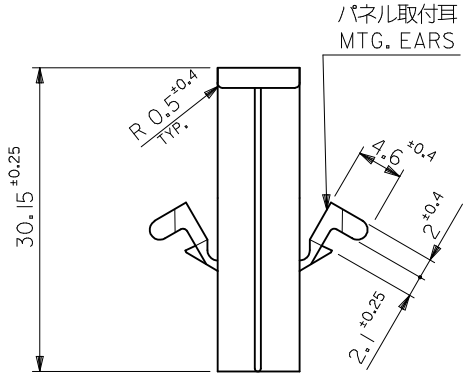
青 BLUE	39-01-8019	3191-01P-BU	NYLON66	94V-2
赤 RED	39-01-9010	3191-01P-RE		
自然色 NATURAL	39-03-6010	3191-01P		
COLOR	EDP. NO.	ENG. NO.	MATERIAL	UL

REVISED EC NO.: J2009-2399 DRWN: KTOYODA 2009/05/14 CHKD: HATSUMOTO 2009/05/20 APPR: NUKITA 2009/05/20	GENERAL TOLERANCES (UNLESS SPECIFIED)		DIMENSION STYLE MM ONLY		SCALE 2:1	DESIGN UNITS METRIC	THIRD ANGLE PROJECTION
	10 UNDER	± ---	DRAWN BY M. NABEI	DATE '07/05/10	TITLE 1 CKT. PLUG HS'G (.093 DIA. TERMINAL)		
	10 OVER 30 UNDER	± ---	CHECKED BY Y. MAEDA	DATE '07/05/10	MOLEX INCORPORATED		
	30 OVER	± ---	APPROVED BY N. UKITA	DATE '07/05/10	DOCUMENT NO. SD-3191-001	SHEET NO. 1 OF 1	
ANGULAR ± --- ° DRAFT WHERE APPLICABLE MUST REMAIN WITHIN DIMENSIONS	SEE TABLE		THIS DRAWING CONTAINS INFORMATION THAT IS PROPRIETARY TO MOLEX INCORPORATED AND SHOULD NOT BE USED WITHOUT WRITTEN PERMISSION				

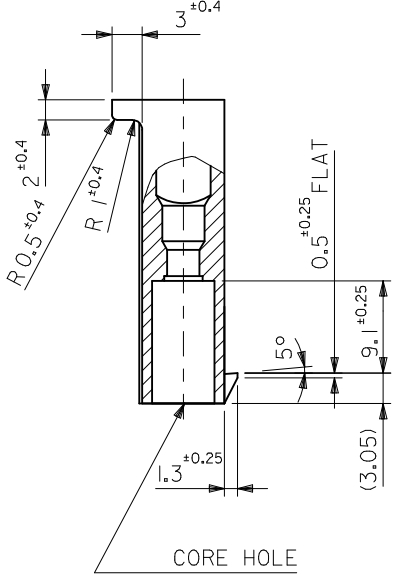


パネル取付穴推奨寸法 (厚さ 2.0 最大)
 ハウジングの装着はパネル穴打抜き方向より行うこと
 RECOMMENDED PANEL HOLE DIMENSION (THK. 2.0 MAX.)
 ATTACH THE HOUSING FROM THE DIRECTION OF
 PANEL HOLE PUNCHED OUT

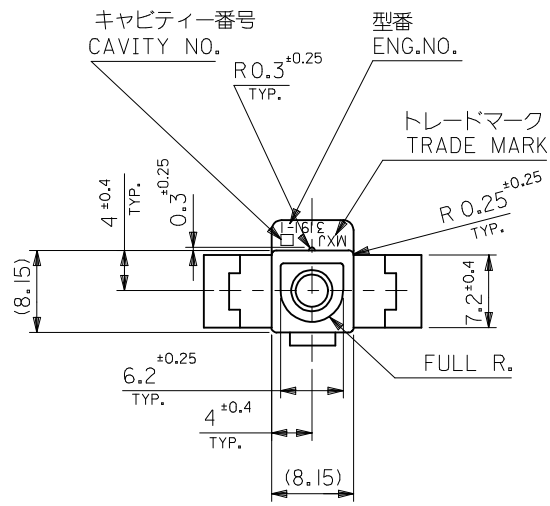
注記
 NOTE
 () 内寸法は参考値
 DIMENSIONS IN () ARE REFERENCE



パネル取付耳
 MTG. EARS



CORE HOLE



キャビティー番号
 CAVITY NO.

型番
 ENG. NO.

トレードマーク
 TRADE MARK

FULL R.

39-03-6011	3191-01P-201	NYLON66	94V-0
39-03-6010	3191-01P	NYLON66	94V-2
EDP. NO.	ENG. NO.	MATERIAL	UL

REVISED EC NO.: J2009-2399 DRWN: KTOYODA 2009/05/14 CHKD: H. MATSUMOTO 2009/05/20 APPR: NUKITA 2009/05/20	DESCRIPTION GENERAL TOLERANCES (UNLESS SPECIFIED) 10 UNDER ± --- 10 OVER 30 UNDER ± --- 30 OVER ± --- ANGULAR ± --- ° DRAFT WHERE APPLICABLE MUST REMAIN WITHIN DIMENSIONS	DIMENSION STYLE MM ONLY	SCALE 2:1	DESIGN UNITS METRIC	THIRD ANGLE PROJECTION	
		DRAWN BY H. IJIMA	DATE '96/06/21	TITLE 1CKT. PLUG HS'G (.093 DIA. TERMINAL)		
		CHECKED BY M. FUKUSHIMA	DATE '96/06/21	MOLEX INCORPORATED		
		APPROVED BY M. ENOMOTO	DATE '96/06/21	MATERIAL NO. SEE TABLE	DOCUMENT NO. SD-3191-006	SHEET NO. 1 OF 1