

PLEASE CHECK WWW.MOLEX.COM FOR LATEST PART INFORMATION

Part Number: [0039000281](#)
Status: **Active**
Overview: [standard_093](#)
Description: 2.36mm (.093") Diameter, Standard .093" Pin and Socket Crimp Terminal, Series 1189, Female, with Tin (Sn) over Copper Plated Brass Contact, 14-20 AWG, Reel

Documents:

[Drawing \(PDF\)](#) [Product Specification PS-3191-004 \(PDF\)](#)
[Product Specification PS-1189-009 \(PDF\)](#) [RoHS Certificate of Compliance \(PDF\)](#)
[Product Specification PS-3191-003 \(PDF\)](#)

General

Product Family	Crimp Terminals
Series	1189
Crimp Quality Equipment	Yes
Overview	standard_093
Product Name	Standard .093"

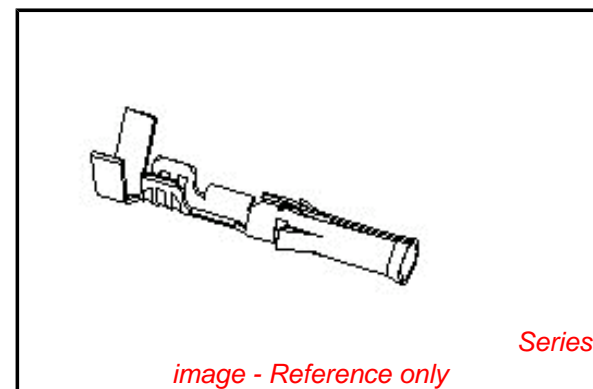
Physical	
Gender	Female
Material - Metal	Brass
Material - Plating Mating	Tin
Material - Plating Termination	Tin
Packaging Type	Reel
Plating min: Mating (µin)	35
Plating min: Mating (µm)	0.88
Plating min: Termination (µin)	35
Plating min: Termination (µm)	0.88
Termination Interface: Style	Crimp or Compression
Wire Insulation Diameter	1.60-4.10mm (.063-.161")
Wire Size AWG	14, 16, 18, 20
Wire Size mm ²	N/A

Material Info

Old Part Number 1189AT

Reference - Drawing Numbers

Product Specification PS-1189-009, PS-3191-003, PS-3191-004, RPS-1189-001, RPS-3191-002, RPS-3191-005
 Sales Drawing SD-1189*



EU RoHS

ELV and RoHS Compliant
REACH SVHC Contains SVHC: No
Halogen-Free Status

China RoHS



Need more information on product environmental compliance?

Email productcompliance@molex.com
 For a multiple part number RoHS Certificate of Compliance, [click here](#)

Please visit the [Contact Us](#) section for any non-product compliance questions.

Search Parts in this Series

[1189Series](#)

Use With

[1375r](#) , [1490r](#) , [1545r](#) , [1261r](#) , [1951r](#) , [1396r](#) , [2629r](#) , [2163r](#) , [1619r](#) , [1292r](#) , [1360r](#)

Application Tooling | FAQ

Tooling specifications and manuals are found by selecting the products below. Crimp Height Specifications are then contained in the Application Tooling Specification document.

Global

Description	Product #
Mini-Mac™ Applicator	0638927100
Mini-Mac™ Applicator	0638927300
Extraction Tool	0011030006
Terminator Die	0011402001

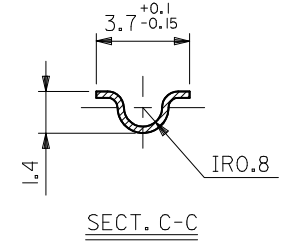
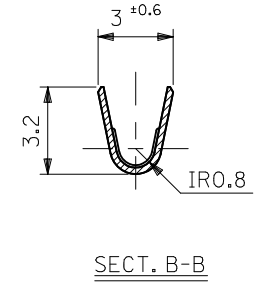
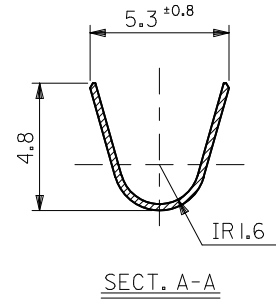
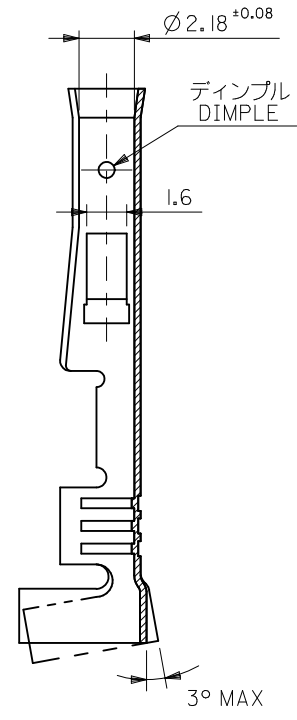
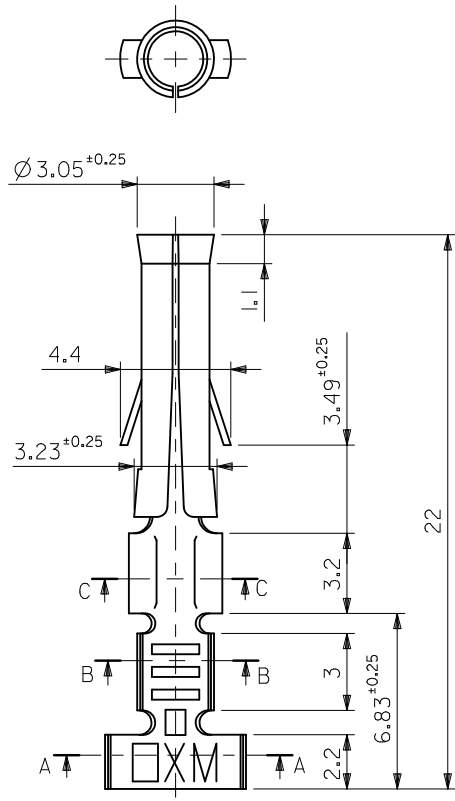
Japan

Description	Product #
Hand Extraction Tool	0011260029

Applicator for M211A 0011260069
Bench Press, 14-28
AWG, for 8980-6C,
8980-6C1, 1189,
1190, 1380, 1381,
1433 and 1434
Crimp Terminal

This document was generated on 05/19/2010

PLEASE CHECK WWW.MOLEX.COM FOR LATEST PART INFORMATION



注記 NOTES:
 1. 一般公差 : ±0.4
 GENERAL TOLERANCES: ±0.4

材料 MATERIAL	黄銅 BRASS	0.264t
適用電線範囲 WIRE RANGE	AWG# 14-#20	
被覆外径 INS. RANGE	∅ 1.6~4.1	

REVISED	DESCRIPTION
EC NO: J2010-2186	
DRW:RTSURIJOKA 2010/05/17	
CHK:D:THARUYAMA 2010/05/17	
APP:R:HHIRATA 2010/05/21	
J	REV

GENERAL TOLERANCES (UNLESS SPECIFIED)	
10 UNDER	± ---
10 OVER 30 UNDER	± ---
30 OVER	± ---
ANGULAR	± --- °
DRAFT WHERE APPLICABLE MUST REMAIN WITHIN DIMENSIONS	

DIMENSION STYLE	
MM ONLY	
DRAWN BY	DATE
HHASEGAWA	1993/07/06
CHECKED BY	DATE
HHIRAMOTO	1993/07/06
APPROVED BY	DATE
MFUKUSHIMA	1993/07/06
MATERIAL NO.	
SEE TABLE	
SIZE	A3

SCALE	5:1
DESIGN UNITS	METRIC
THIRD ANGLE PROJECTION	
TITLE	
.093 DIA.FEMALE TERM.	
MATERIAL	
NICKEL (2 μm MIN.) 下地 金 (0.35 μm MIN.) GOLD (0.35 μm MIN.) OVER NICKEL (2 μm MIN.)	
WITH DIMPLE	NO
EDP.NO.	39-00-0295
ENG.NO.	1189AGL
形状	バラ端子
FORM	LOOSE
形状	連鎖状端子
FORM	CHAIN
MATERIAL	
銅 (0.5 μm MIN.) 下地 錫 (0.9 μm MIN.) TIN (0.9 μm MIN.) OVER COPPER (0.5 μm MIN.)	
WITH DIMPLE	NO
EDP.NO.	39-00-0289
ENG.NO.	1189ATL
形状	バラ端子
FORM	LOOSE
形状	連鎖状端子
FORM	CHAIN
MATERIAL NO.	
SEE TABLE	
DOCUMENT NO.	SD-1189-002
SHEET NO.	1 OF 1