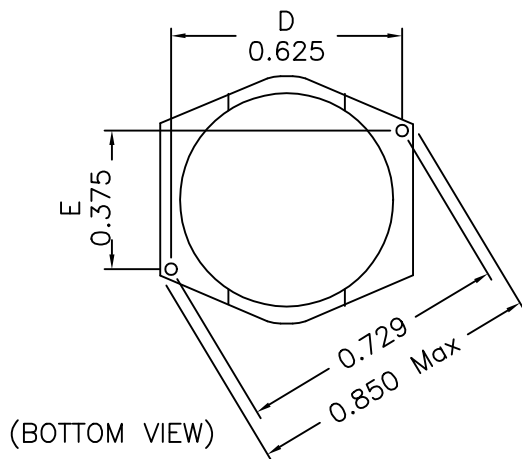
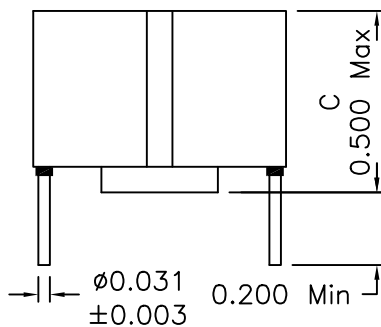
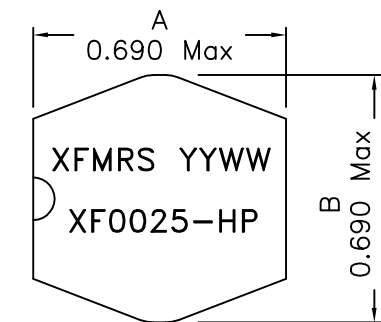
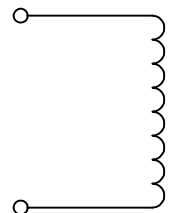


1. Mechanical Dimensions:



2. Schematic:



3. Electrical Specifications:@25°C

Inductance: 25uH±10% @10KHz, 100mV

Current: 3.5Adc

DC Res.: 0.150 Ohms Maximum

Note:

1. Solderability: Leads shall meet MIL-STD-202, Method 208D for solderability.
2. Flammability: UL94V-0,
3. ASTM oxygen index: > 28% ,
4. Temperature rating: 155°C. UL file E151556,
5. Operating Temperature Range: 0°C to +70°C

XFMRS Inc.	Title: INDUCTORS	
	P/N: XF0025-HP	REV. A
	DWN. 李小锋	Aug-29-01
	CHK. 廖玉坤	Aug-29-01
APP. Joe Huff	Aug-29-01	

UNLESS OTHERWISE SPECIFIED
TOLERANCES:
.xxx ±0.020
Dimensions in INCH

DOC. REV A/1