



NU1S041-434

“LAN-MATE” SERIES

SINGLE RJ45 CONNECTOR MODULE WITH INTEGRATED 10/100 BASE-TX MAGNETICS AND LEDS

Feature



- RJ-45 connector integrated with X’FMR / Impedance Resistor/High Voltage Capacitor
- Size same as RJ-45 connector to save PCB board space.
- Reduced EMI radiation to improve EMI performance.
- Design for 100 base transmission over UTP-5 CABLE.
- Operating temperature range: 0°C to +70°C.
- Storage temperature range: -25°C to +85°C.

Code	1	3	4	Empty
LED Color	Red	Yellow	Green	No LED

Electrical Specifications @ 25°C

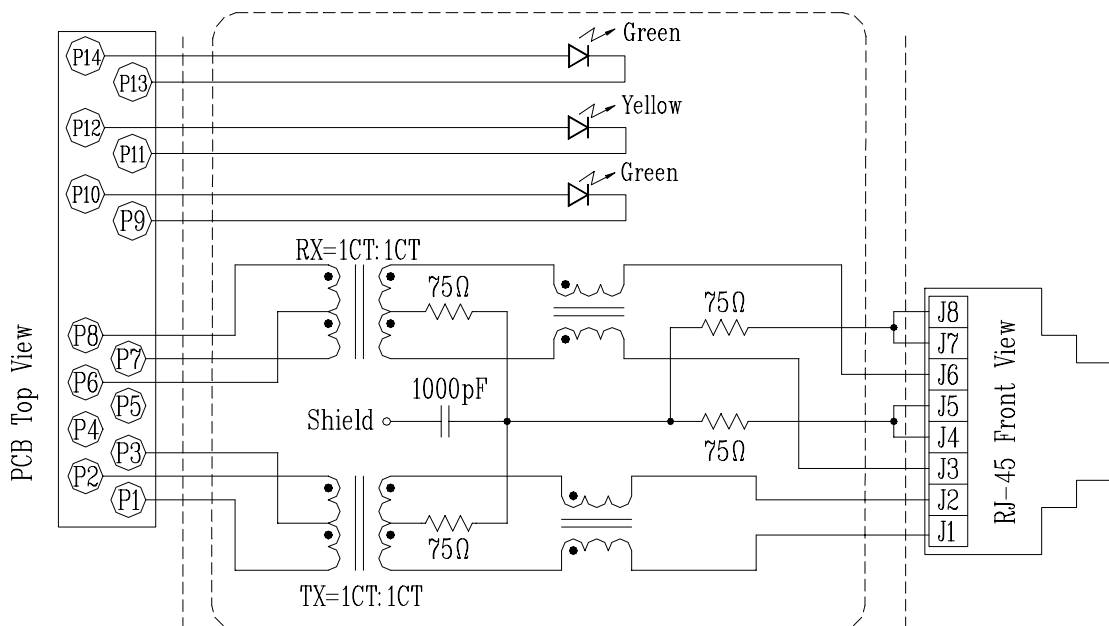
Part Number	Turns Ratio (±5%) TX/RX	OCL(uH Min) @ 100KHz/0.1V with 8mA DC Bias	C <sub>w/w</sub> (pF Max)	L.L (uH Max)	Rise Time 10-90% (nS Typ)	Insertion Loss (dB Max)		HI-POT (Vrms)
						0.3-100MHz		
NU1S041-434	1CT:1CT	350	28	0.4	2.5	-1.15		1500

Continue

Part Number	Return Loss (dB Min) TX/RX					Cross talk (dB Min)			CMR (dB Min)		
	30MHz	40MHz	50MHz	60MHz	80MHz	0.3-30MHz	30-60MHz	60-100MHz	1-30MHz	30-60MHz	60-125MHz
NU1S041-434	-16	-14	-13.5	-13	-10	-40	-35	-30	-30	-25	-20

Schematic

Block Circuit x 1 set in NU1S041-434



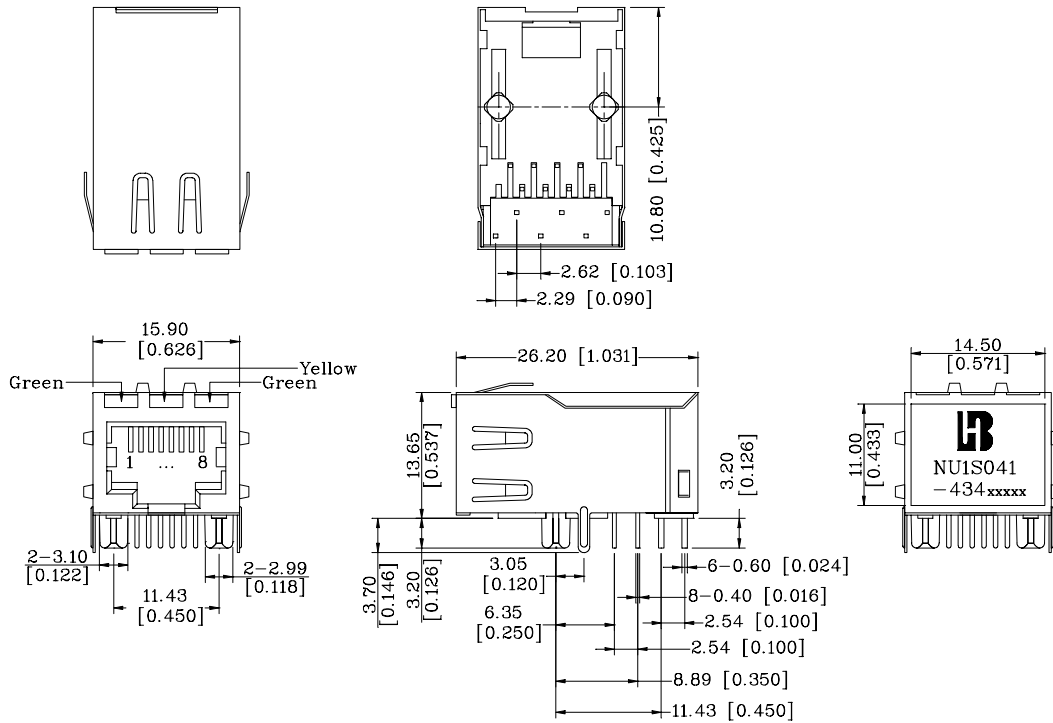
**“LAN-MATE” SERIES**

**SINGLE RJ45 CONNECTOR MODULE WITH INTEGRATED 10/100 BASE-TX MAGNETICS AND LEDS**

P/N: NUIS041-434

Page : 2/2

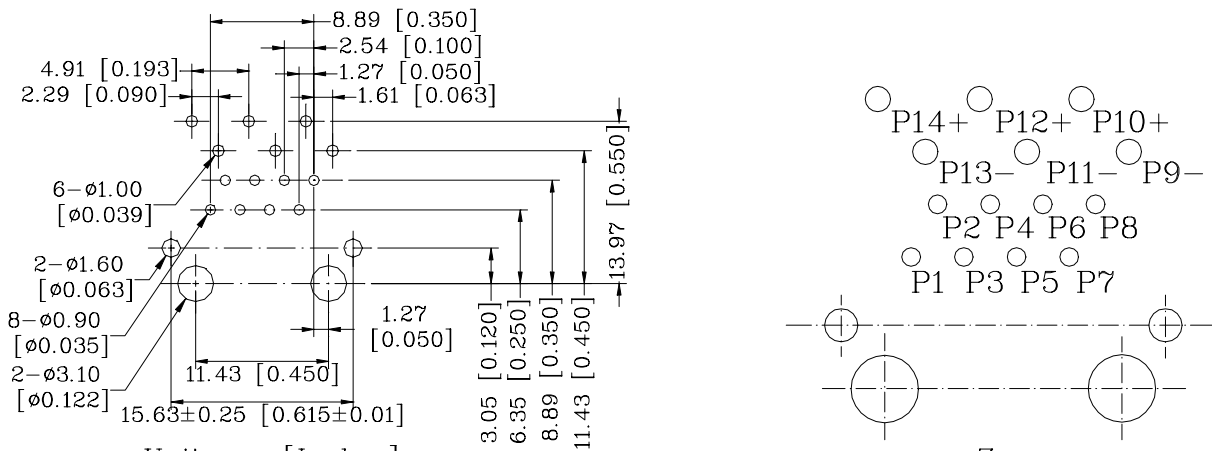
**Mechanical**



Units: mm[Inches] Tolerances: xx.x0±0.25[0.010]  
0.xx±0.05[0.002]

- 1. Plastic Material : Thermoplastic (UL 94V-0), Black Housing
- 2. Metal Shield : Brass, 20u inches thick Nickel
- 3. Spring Wire : Phosphor bronze with selective gold plating
- 4. Solder Pin : 0.4x0.4mm, Phosphor bronze with solder Plated
- 5. Durability : 300 Mating cycles Min.

**PCB Layout Mounting Hole(Top View)**



Units: mm[Inches]  
Tolerances: xx.x0±0.25[0.010]  
0.xx±0.05[0.002]